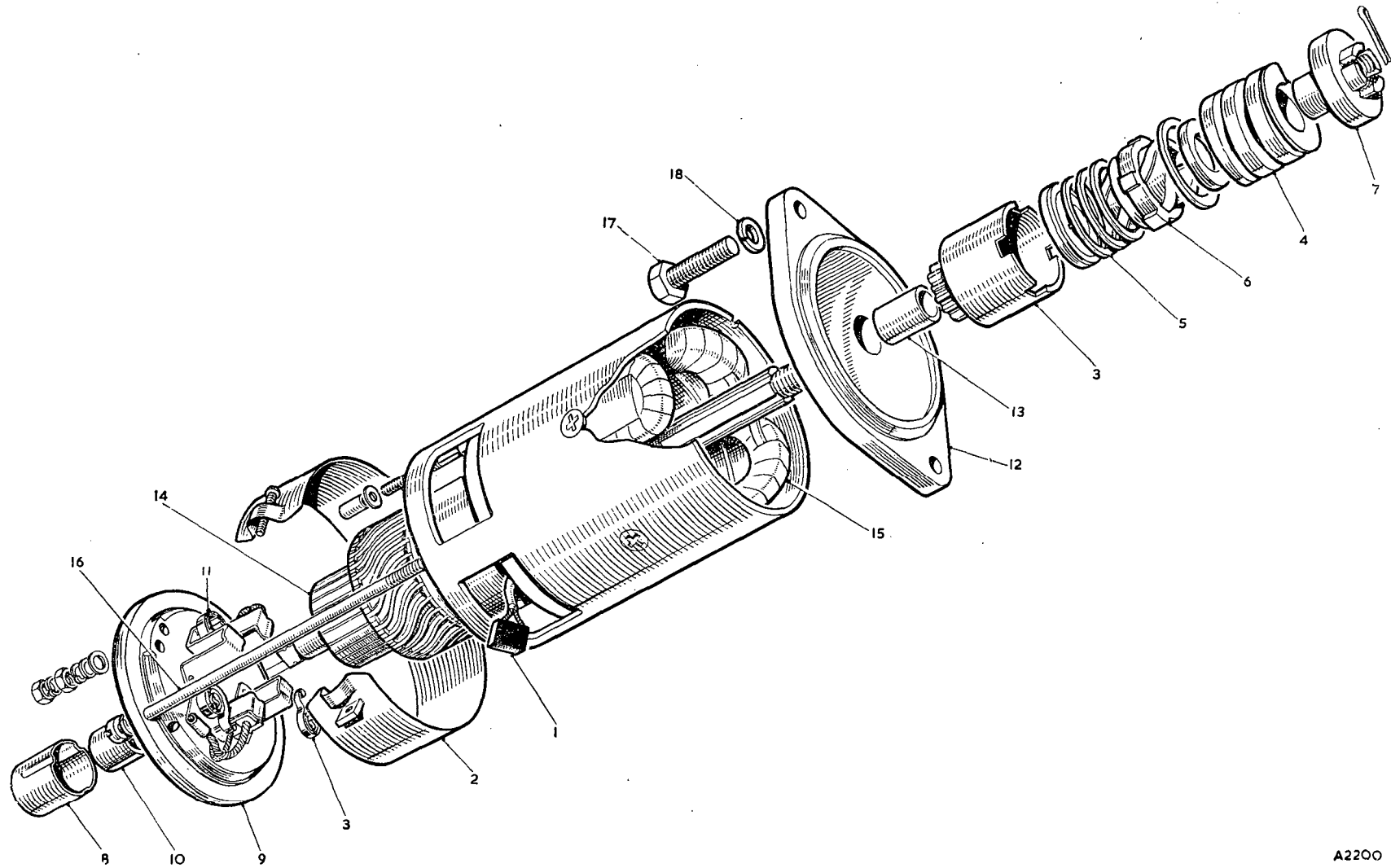


A 2933

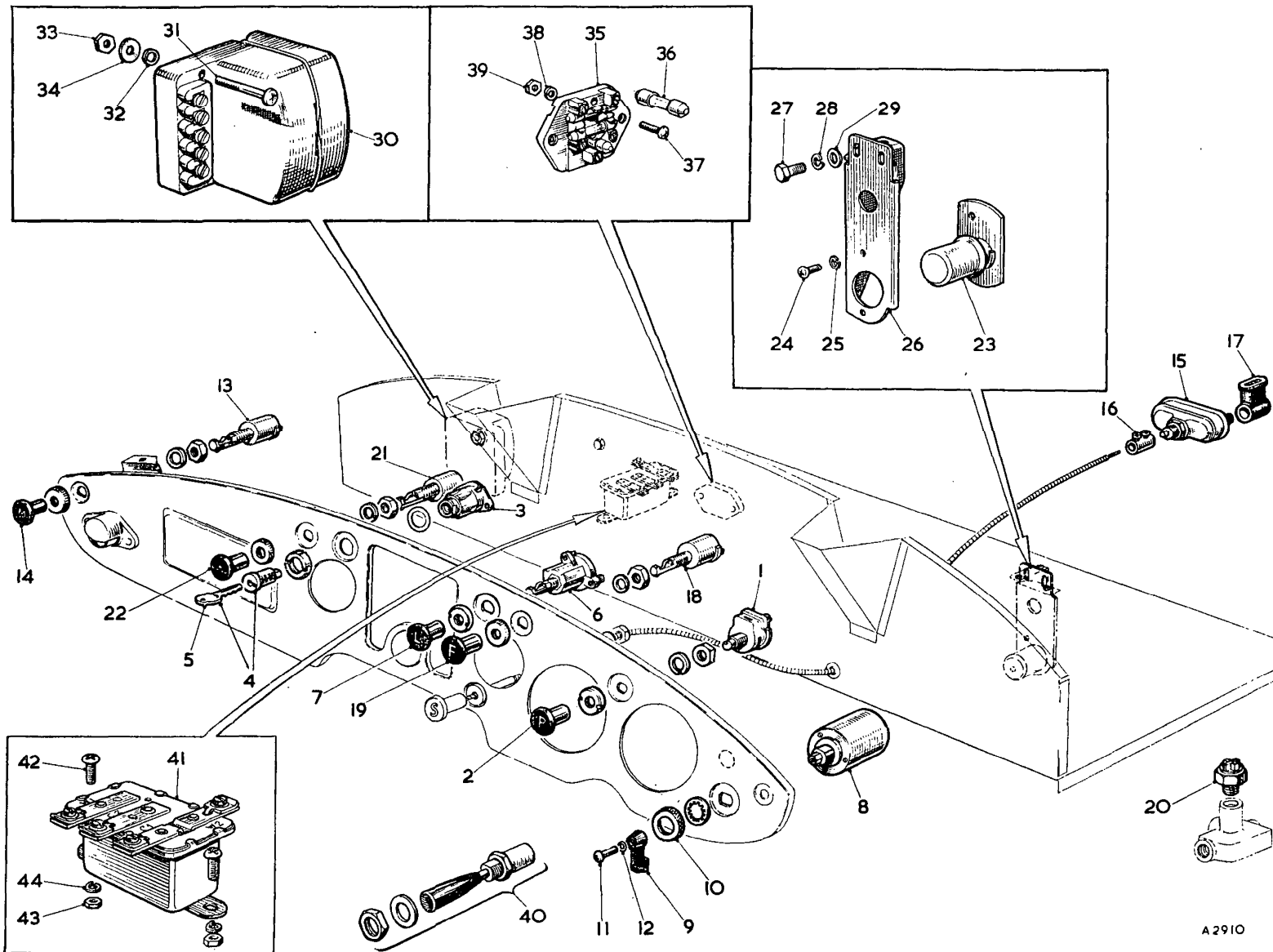
**SERVICE PARTS LIST**

**THE M.G. Series MGA TWIN CAM**

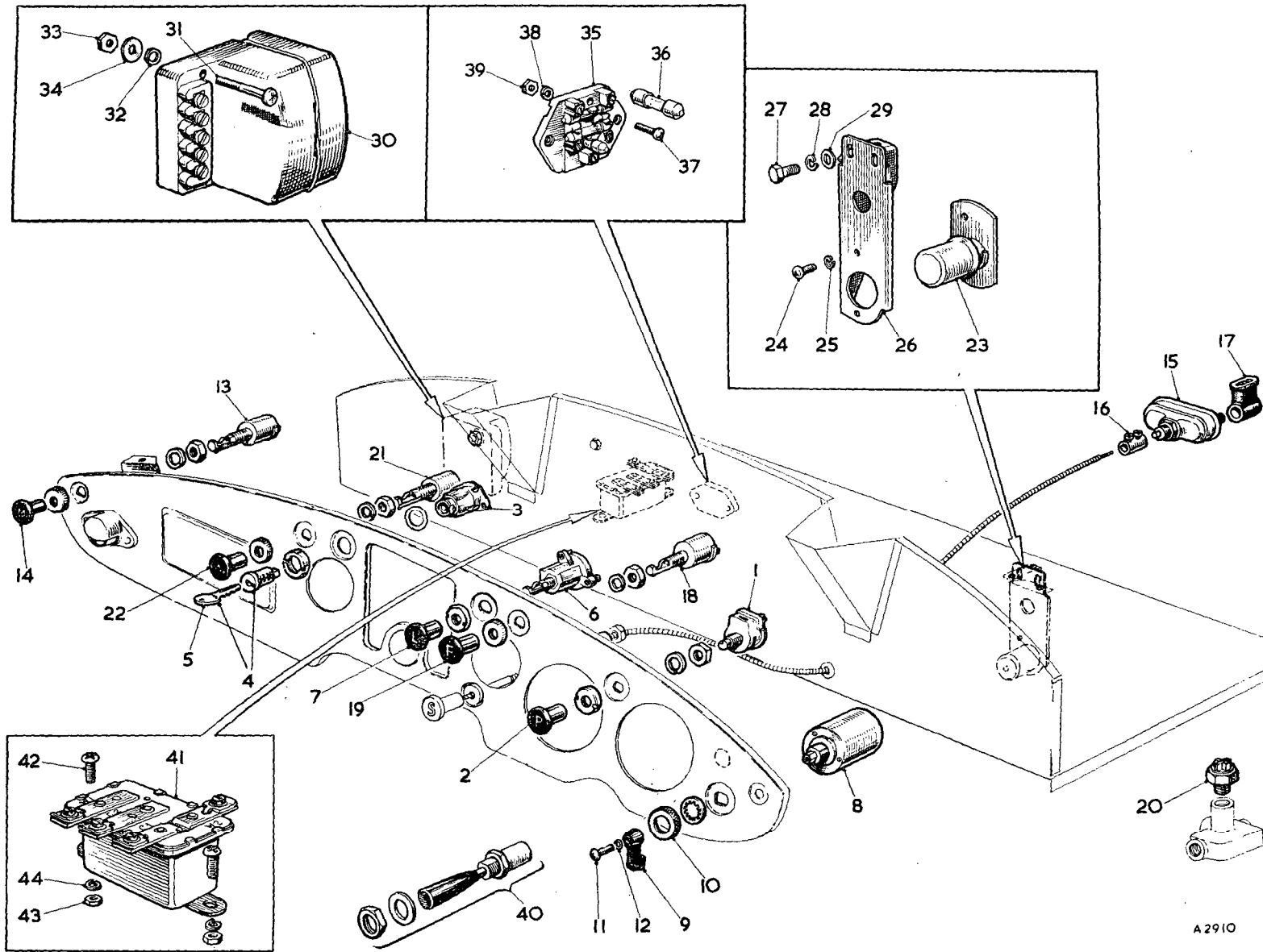
Item No.	DESCRIPTION	Commencing (C) 501		Qty. per Vehicle		Unit of Issue	Type of Vehicle	MODIFICATIONS			REMARKS
		Part Number	Illus. No.	RHD	LHD			New Part Number	Change Point	Amdt. No.	
<b>ELECTRICAL EQUIPMENT</b>											
<b>BATTERY</b>											
1	<b>Battery</b> .....	<b>N.S.P.</b>	<b>N1</b>	<b>2</b>	<b>2</b>						
2	Screw—terminal .....	2K8645	N2	2	2						
3	Clamp—battery .....	AHH5166	N3	2	2						
4	Packing—battery clamp .....	AHH5169	N4	2	2						
5	Bolt—battery fixing (long) .....	AHH5167	N5	2	2						
6	Bolt—battery fixing (short) .....	AHH5168	N6	2	2						
7	Locknut for battery fixing bolt .....	FNZ204	N7	8	8						
8	Pad—battery (rubber) .....	AHH5170	N8	4	4						
9	Cover—battery .....	BHA4140	N9	2	2						
10	Cap nut—cover .....	BHA4147	N10	4	4						
11	Bolt—battery (long) .....	AHH5964	N11	2	2						] Optional extra
12	Bolt—battery (short) .....	AHH5963	N12	2	2						
13	Nut for bolt .....	AJD8104Z	N13	4	4						
<b>DYNAMO</b>											
14	<b>Dynamo</b> .....	<b>AEJ12</b>		<b>1</b>	<b>1</b>						<b>Correction. Was 11G22</b>
15	Nut for shaft .....	47H5215	N14	1	1						
16	Washer for nut (spring) .....	LWZ207	N15	1	1						
17	Bearing—drive end .....	97H628	N16	1	1						
18	Bracket assembly—drive end .....	57H5033	N17	1	1						
19	Key for pulley .....	WKN404	N18	1	1						
20	Armature .....	7H5389	N19	1	1						
21	Coils—field .....	7H5071	N20	1 set	1 set	1					
22	Bracket assembly—commutator end .....	57H5082	N21	1	1						
23	Bush for bracket .....	7H5390	N22	1	1						
24	Oiler .....	17H5530	N23	1	1						
25	Spring—brush tension .....	7H5031	N24	1 set	1 set	1					
26	Brush .....	7H5028	N25	1 set	1 set	1					
27	Terminal .....	17H5433	N26	1	1						
28	Bolt—through-fixing .....	17H5217	N27	2	2						
29	Sundry parts .....	7H5376		1 set	1 set	1					



A2200



A2910

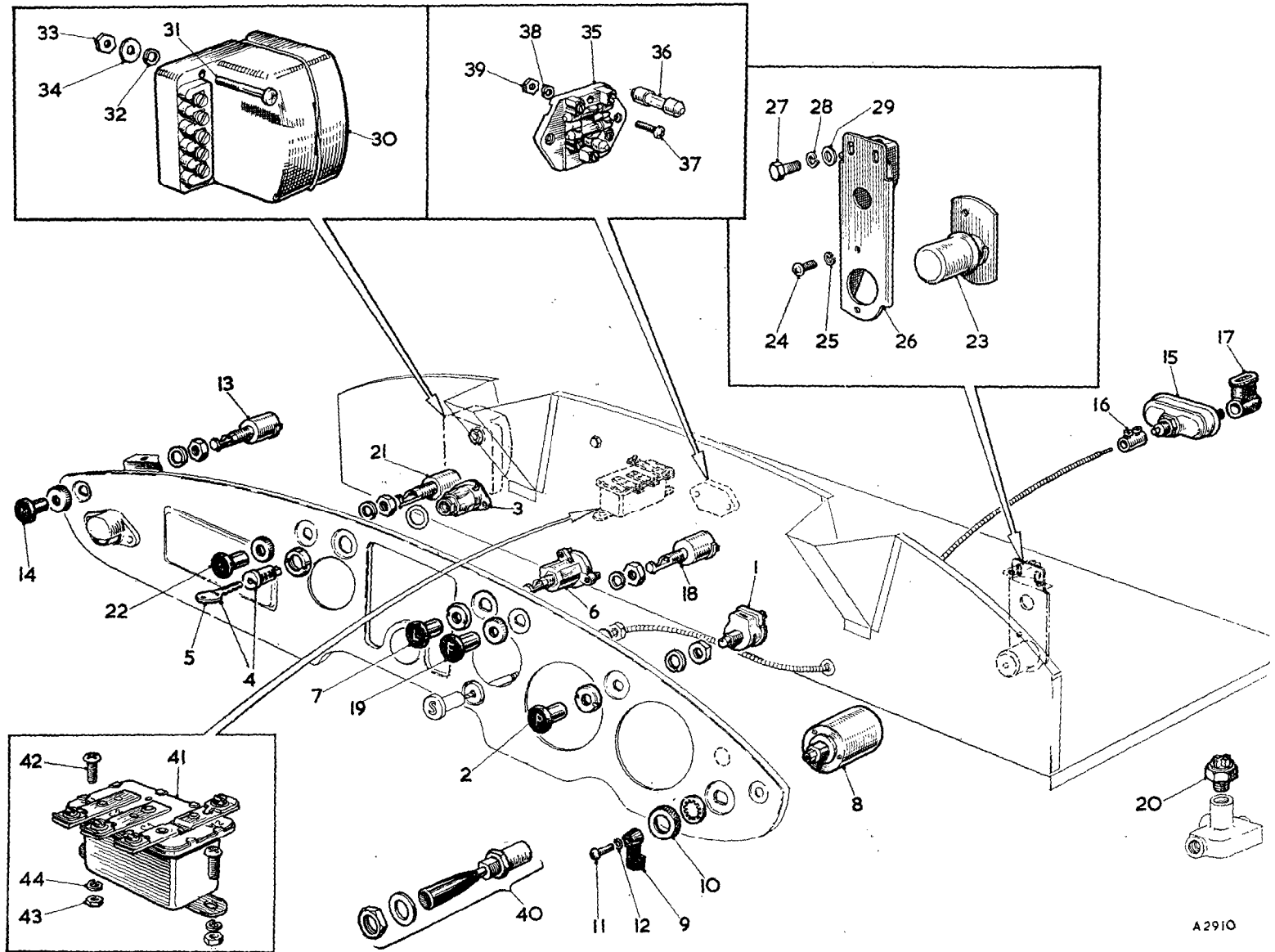


**SERVICE PARTS LIST**

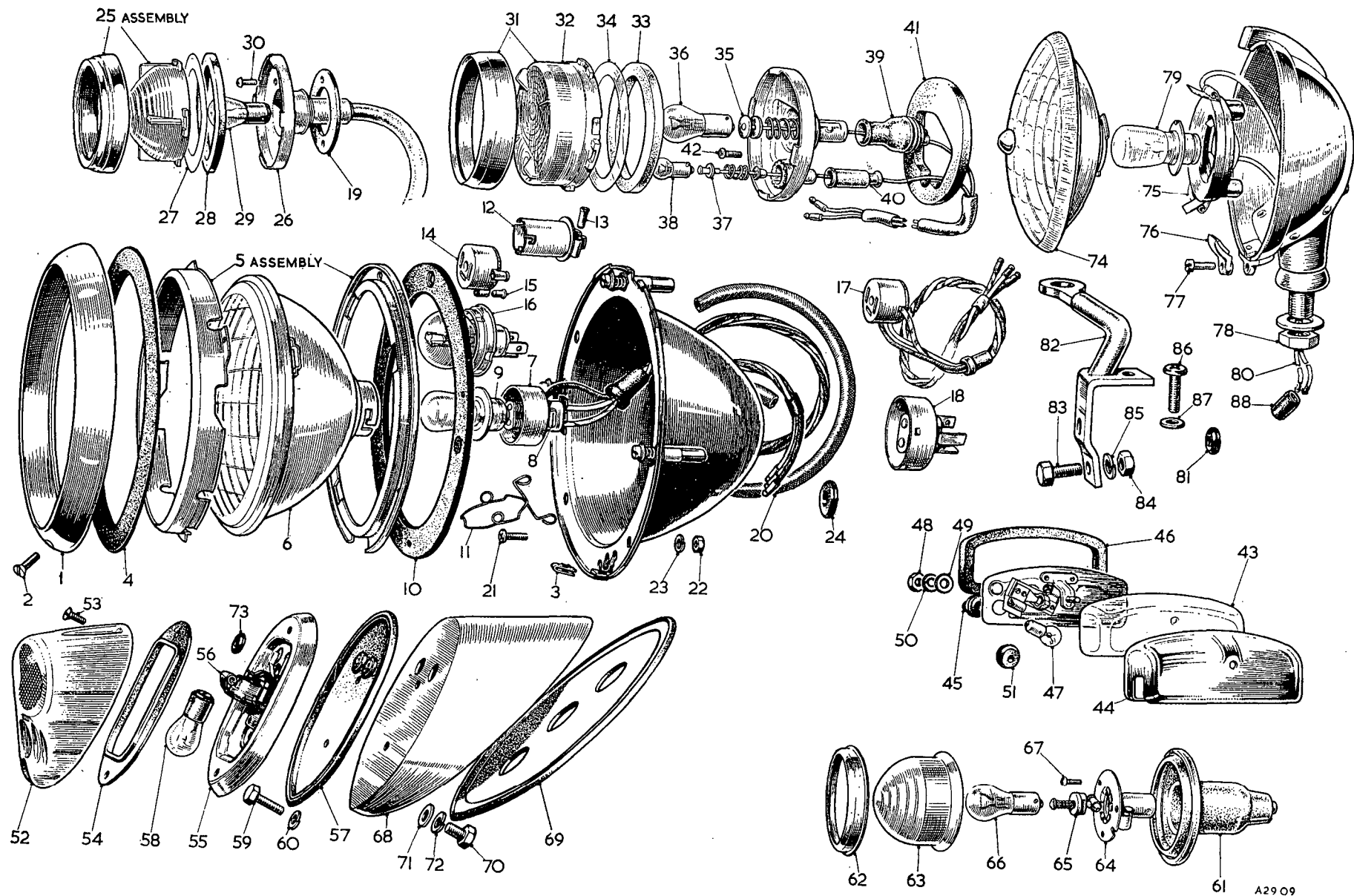
**THE M.G. Series MGA TWIN CAM**

Item No.	DESCRIPTION	Commencing (C) 501		Qty. per Vehicle		Unit of Issue	Type of Vehicle	MODIFICATIONS			REMARKS
		Part Number	Illus. No.	RHD	LHD			New Part Number	Change Point	Amdt. No.	
	<b>SWITCHES</b>										
1	Switch—panel light	47H5188	NB1	1	1						
2	Knob for switch	AHH5368	NB2	1	1						
3	Switch—ignition	AHH5369	NB3	1	1						
4	Lock and key—ignition switch	7H9830	NB4	1	1						
5	Key	ANK4646	NB5	2	2						
6	Switch—head and sidelamp	3H3098	NB6	1	1						
7	Knob for switch	AHH5360	NB7	1	1						
8	Switch—flasher	AMK5607	NB8	1	1						
9	Lever for switch	27H5511	NB9	1	1						
10	Nut fixing flasher switch (knurled)	17H5485	NB10	1	1						
11	Screw fixing lever	17H5483	NB11	1	1						
12	Washer for screw (spring)	17H5484	NB12	1	1						
13	Switch—map-reading lamp	27H5278	NB13	1	1						
14	Knob for switch	AHH5362	NB14	1	1						
15	Switch—starter	3H949	NB15	1	1						
16	Coupling—switch to control	3H950	NB16	1	1						
17	Bootee for terminal	8G548	NB17	2	2						
18	Switch—fog lamp	27H5278	NB18	1	1						
19	Knob for switch	AHH5366	NB19	1	1						
20	Switch—stop lamp	3H1894	NB20	1	1						
21	Switch—windscreen wiper	27H5278	NB21	1	1						
22	Knob for switch	AHH5364	NB22	1	1						
23	Switch—dipper	11G2007	NB23	1	1						
24	Screw—switch to bracket	AJD1248Z	NB24	2	2						
25	Washer for screw (spring)	LWZ203	NB25	2	2						
26	Bracket—dipper switch	AHH5780	NB26	1							
27	Screw—bracket to bulkhead	HZS0405	NB27	3							
28	Washer for screw (spring)	LWZ204	NB28	3							
29	Washer for screw (plain)	PWZ104	NB29	3							
30	Bracket—dipper switch	AHH5347			1			AHH5965	Com. (C) 2281		
31	Screw—bracket to bulkhead	PMZ0308			1						
32	Screw—bracket to bulkhead	CMZ0308			2				Fin. (C) 2280		
33	Washer for screw (cup)	7722			2						
34	Nut for screw	FNZ103			3						
35	Screw—bracket to goalpost				3			PPZ0310	Com. (C) 2281		
36	Washer for screw (spring)				3			LWZ203			









A2909

**SERVICE PARTS LIST**

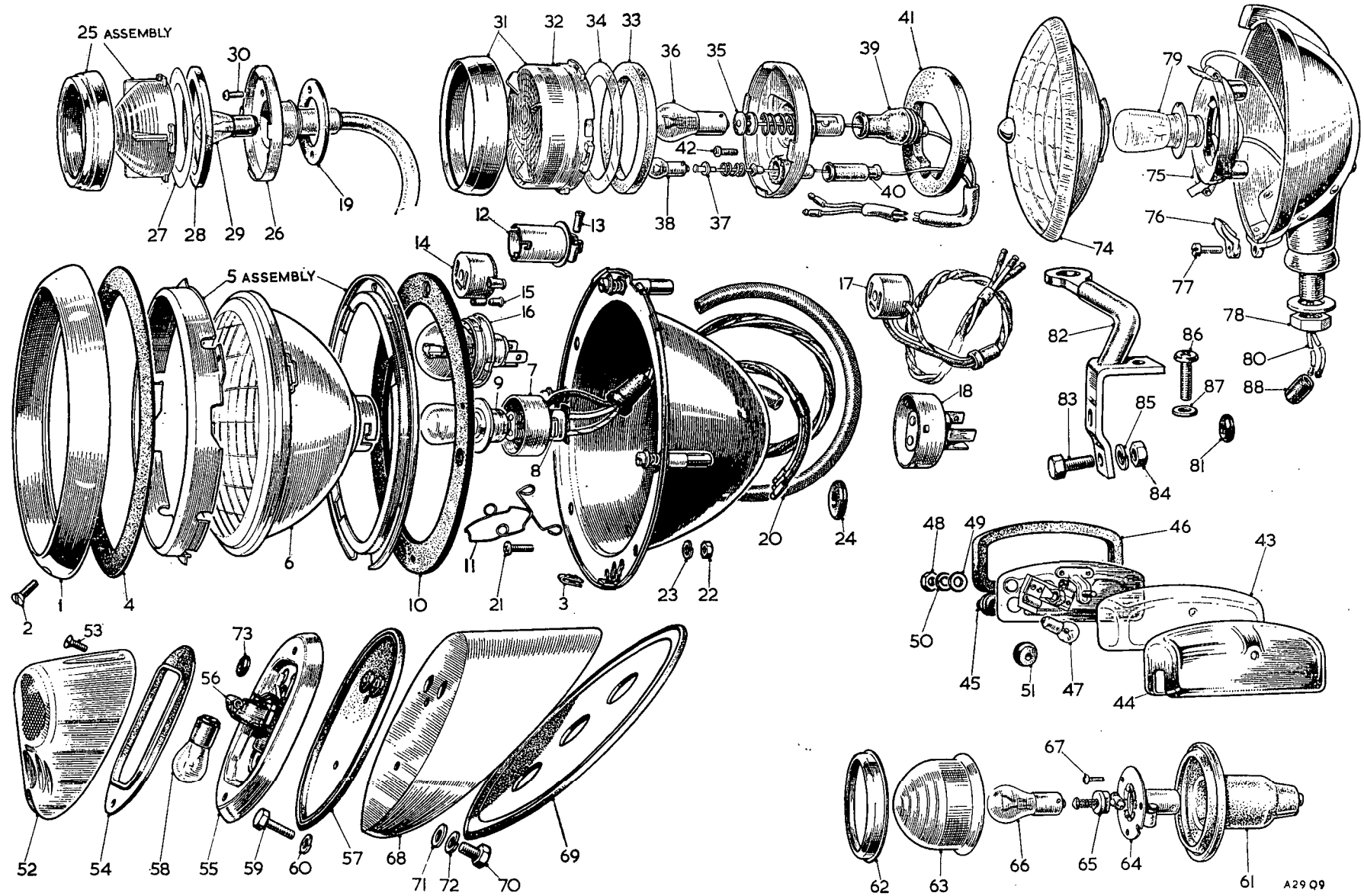
**THE M.G. Series MGA TWIN CAM**

Item No.	DESCRIPTION	Commencing (C) 501		Qty. per Vehicle		Unit of Issue	Type of Vehicle	MODIFICATIONS			REMARKS
		Part Number	Illus. No.	RHD	LHD			New Part Number	Change Point	Amdt. No.	
	<b>LAMPS (ROAD)</b>										
1	<b>Headlamp (U.K.)</b>	<b>47H5365</b>		<b>2</b>							
2	Rim assembly	17H5147	NC1	2							
3	Screw—rim fixing	AJA5081	NC2	2							
4	Nut for screw	27H5354	NC3	2							
5	Excluder—dust	3H2962	NC4	2							
6	Plate—light unit retaining	17H5205	NC5	2							
7	Light unit—left dip	7H5483	NC6	2							
8	Bulb holder	17H5306	NC7	2							
9	Sleeve—terminal	37H5271	NC8	6							
10	Bulb—left dip	13H140	NC9	2							
11	Gasket (rubber)	3H1031	NC10	2							
12	<b>Headlamp (SWEDEN)</b>			<b>2</b>	<b>2</b>						
13	Rim assembly			2	2			<b>BMK391</b>			
14	Screw—rim fixing			2	2			17H5147			
15	Nut for screw			2	2			AJA5081			
16	Excluder—dust			2	2			27H5354			
17	Plate—light unit retaining			2	2			3H2962			
18	Light unit			2	2			17H5205	Com. (C) 2418		
19	Spring—bulb retaining			2	2			47H5528			
20	Adaptor			2	2			47H5125			
21	Bulb—vertical dip			2	2			47H5126			
22	Gasket (rubber)			2	2			13H138			
23	<b>Headlamp (EUROPE)</b>	<b>3H2520</b>		<b>2</b>	<b>2</b>			3H1031			
24	<b>Headlamp (European lens)</b>			<b>2</b>	<b>2</b>				<b>Fin. (C) 823</b>		
25	Rim assembly	17H5147		2	2			<b>BCA4302</b>	<b>Com. (C) 824</b>		<b>Except France</b>
26	Screw—rim fixing	AJA5081		2	2						
27	Nut for screw	27H5354		2	2						
28	Excluder—dust	3H2962		2	2						
29	Plate—light unit retaining	17H5205		2	2						
30	Light unit—vertical dip	7H5485		2	2						
31	Light unit			2	2			47H5124	Fin. (C) 823		
32	Spring—bulb retaining		NC11	2	2			47H5125	Com. (C) 824		
33	Bulb holder	17H5306		2	2						
34	Sleeve—terminal	7H5582		6	6				Fin. (C) 823		
35	Adaptor			2	2			47H5126	Com. (C) 824		
36	Sleeve—terminal			6	6			37H5271			
37	Bulb—vertical dip	3H921		2	2			13H138			
38	Gasket (rubber)	3H1031		2	2						

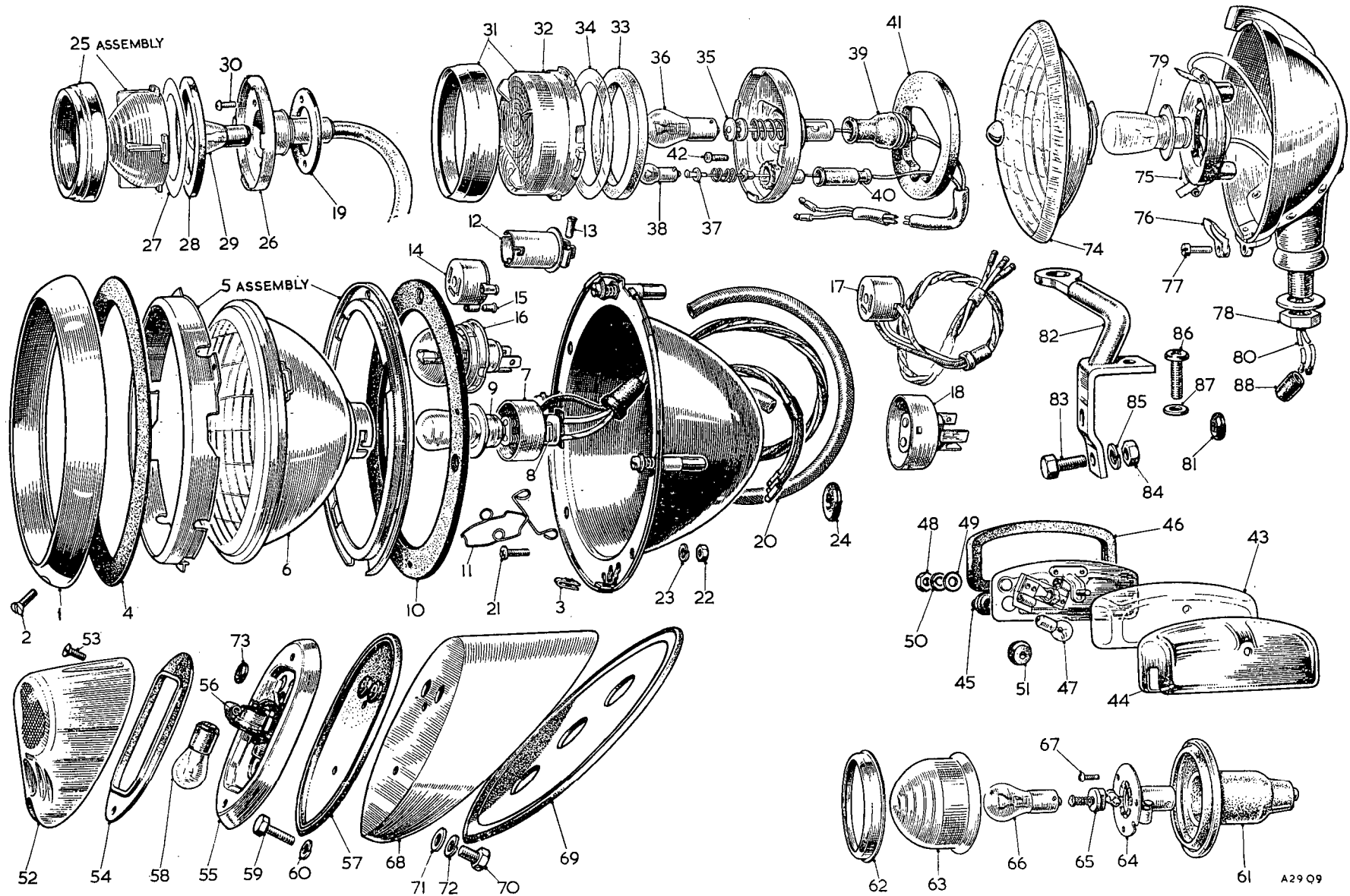
**SERVICE PARTS LIST**

**THE M.G. Series MGA TWIN CAM**

Item No.	DESCRIPTION	Commencing (C) 501		Qty. per Vehicle		Unit of Issue	Type of Vehicle	MODIFICATIONS			REMARKS
		Part Number	Illus. No.	RHD	LHD			New Part Number	Change Point	Amdt. No.	
	<b>Lamps (Road)—continued</b>										
1	Headlamp (less bulb) ..... <b>(FRANCE)</b>	<b>17H5330</b>			<b>2</b>						
2	Headlamp ..... <b>(FRANCE)</b>				<b>2</b>			<b>BCA4303</b>	<b>Fin. (C) 1617</b>		
3	Rim assembly .....	17H5147			2						
4	Screw—rim fixing .....	AJA5081			2						
5	Nut for screw .....	27H5354			2						
6	Excluder—dust .....	3H2962			2						
7	Plate—light unit retaining .....	17H5205			2						
8	Light unit.....	7H5486			2				Fin. (C) 1617		
9	Light unit.....				2			47H5124	Com. (C) 1618		
10	Spring—bulb retaining .....				2			47H5125			
11	Back-shell assembly .....	17H5146			2						
12	Bulb holder .....	7H5062	NC12		2				Fin. (C) 1617		
13	Sleeve—terminal .....	7H5582	NC13		6						
14	Adaptor .....		NC14		2			47H5126			
15	Sleeve—terminal .....		NC15		6			7H5582	Com. (C) 1618		
16	Bulb (yellow) .....		NC16		2			13H139			
17	Gasket (rubber) .....	3H1031			2						
18	Sleeve—sealing .....	27H5253			6						
19	Headlamp ..... <b>(Not U.K.)</b>	<b>17H5543</b>			<b>2</b>						<b>Except Europe</b>
20	Rim assembly .....	17H5147			2						
21	Screw—rim fixing .....	AJA5081			2						
22	Nut for screw .....	27H5354			2						
23	Excluder—dust .....	3H2962			2						
24	Plate—light unit retaining .....	17H5205			2						
25	Light unit—right dip .....	17H5375			2						
26	Adaptor .....	17H5244	NC17		2						
27	Adaptor—conversion .....	17H5546	NC18		2						
28	Bulb—right dip .....	3H1893			2						
29	Gasket (rubber) .....	3H1031			2						
30	Sleeve—sealing .....	27H5253			6						
31	Headlamp ..... <b>(U.S.A.)</b>	<b>17H5331</b>			<b>2</b>			<b>57H5010</b>	<b>Com. (C) 2278</b>		
32	Rim assembly .....	17H5147			2			47H5564			
33	Screw—rim fixing .....	AJA5081			2						
34	Nut for screw .....	27H5354			2						
35	Excluder—dust .....	3H2962			2				Fin. (C) 2277		
36	Plate—light unit retaining .....	17H5205			2						
37	Adaptor .....	17H5244			2			47H5126	Com. (C) 2278		
38	Gasket—body .....	3H1031			2			13H346			



A29 Q9



A29 09

# SERVICE PARTS LIST

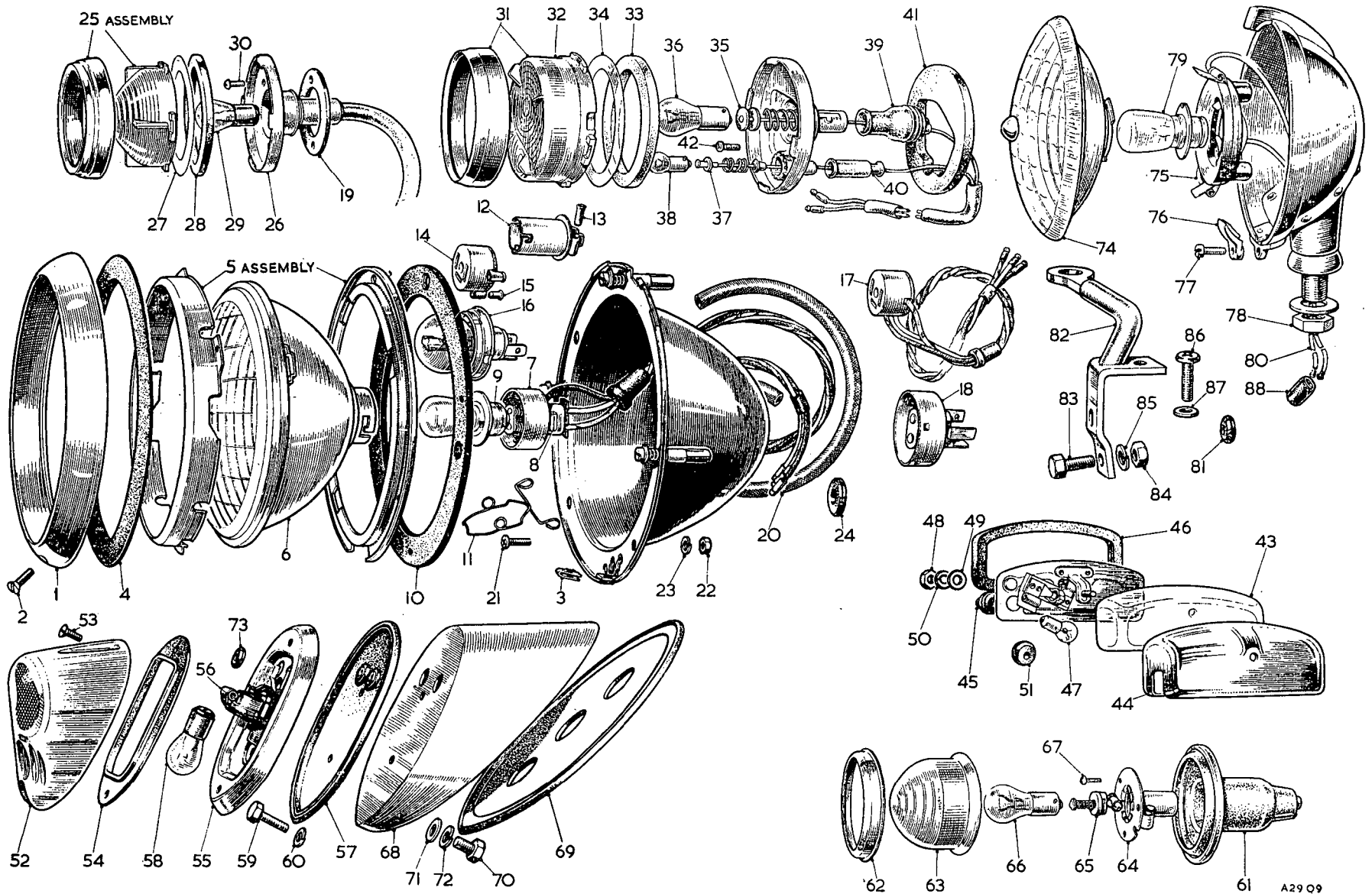
# THE M.G. Series MGA TWIN CAM

Item No.	DESCRIPTION	Commencing (C) 501		Qty. per Vehicle		Unit of Issue	Type of Vehicle	MODIFICATIONS			REMARKS
		Part Number	Illus. No.	RHD	LHD			New Part Number	Change Point	Amdt. No.	
	<b>Lamps (Road)—continued</b>										
1	Tubing for headlamp leads (P.V.C.)	ACH5701	NC20	2	2						
2	Screw—headlamp to wing	PMZ0310	NC21	8	8						
3	Nut for screw	FNZ103	NC22	8	8						
4	Washer for nut (spring)	LWZ203	NC23	8	8						
5	Grommet—headlamp cables through front panel and radiator support	RFR110	NC24	3	3						
6	<b>Sidelamp assembly</b>	<b>ACC5292</b>		<b>2</b>	<b>2</b>						
7	Rim and glass	17H5428	NC25	2	2						
8	Body	AJH5151	NC26	2	2						
9	Ring—sliding (plastic)	17H5303	NC27	2	2						
10	Washer—seating (rubber)	17H5308	NC28	2	2				Fin. (C) 2192		
11	Bulb	1F9026	NC29	2	2						
12	Screw fixing sidelamp	PMZ0206	NC30	6	6						
13	<b>Sidelamp assembly and flasher (amber and white)</b>			<b>2</b>	<b>2</b>						
14	<b>Sidelamp assembly and flasher (white)</b>			<b>2</b>	<b>2</b>						
15	Lens and rim (amber and white)		NC31	2	2						
16	Lens and rim (white)			2	2						
17	Lens (amber and white)		NC32	2	2						
18	Lens (white)			2	2						
19	Gasket—lens seating		NC33	2	2						
20	Ring—sliding		NC34	2	2						
21	Interior—bulb holder (flasher)		NC35	2	2						
22	Bulb—flasher		NC36	2	2						
23	Interior—bulb holder (sidelamp)		NC37	2	2						
24	Bulb—sidelamp		NC38	2	2						
25	Grommet—cable entry (flasher)		NC39	2	2						
26	Grommet—cable entry (sidelamp)		NC40	2	2						
27	Gasket—lamp seating		NC41	2	2						
28	Screw fixing sidelamp		NC42	4	4						
29	<b>Lamp—number-plate</b>	<b>3H1813</b>		<b>1</b>	<b>1</b>						
30	Window	7H5121	NC43	1	1						
31	Cover	7H5185	NC44	1	1						
32	Sundry parts	7H5123		1 set	1 set	1					
33	Grommet for cable	7H5164	NC45	1	1						
34	Joint—lamp base	7H5122	NC46	1	1						
35	Bulb	2H4817	NC47	1	1						
36	Nut fixing lamp	AJD8012Z	NC48	2	2						
37	Washer for nut (plain)	PWZ103	NC49	2	2						
38	Washer for nut (spring)	LWZ203	NC50	2	2						
39	Grommet for cable	RFR104	NC51	1	1						
40											

SERVICE PARTS LIST

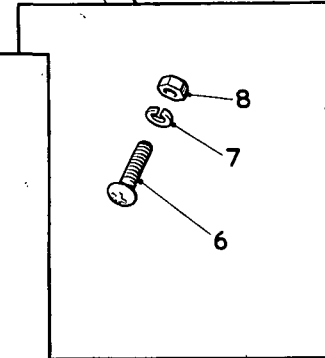
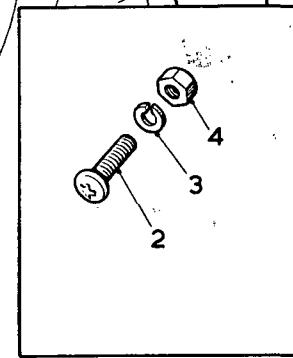
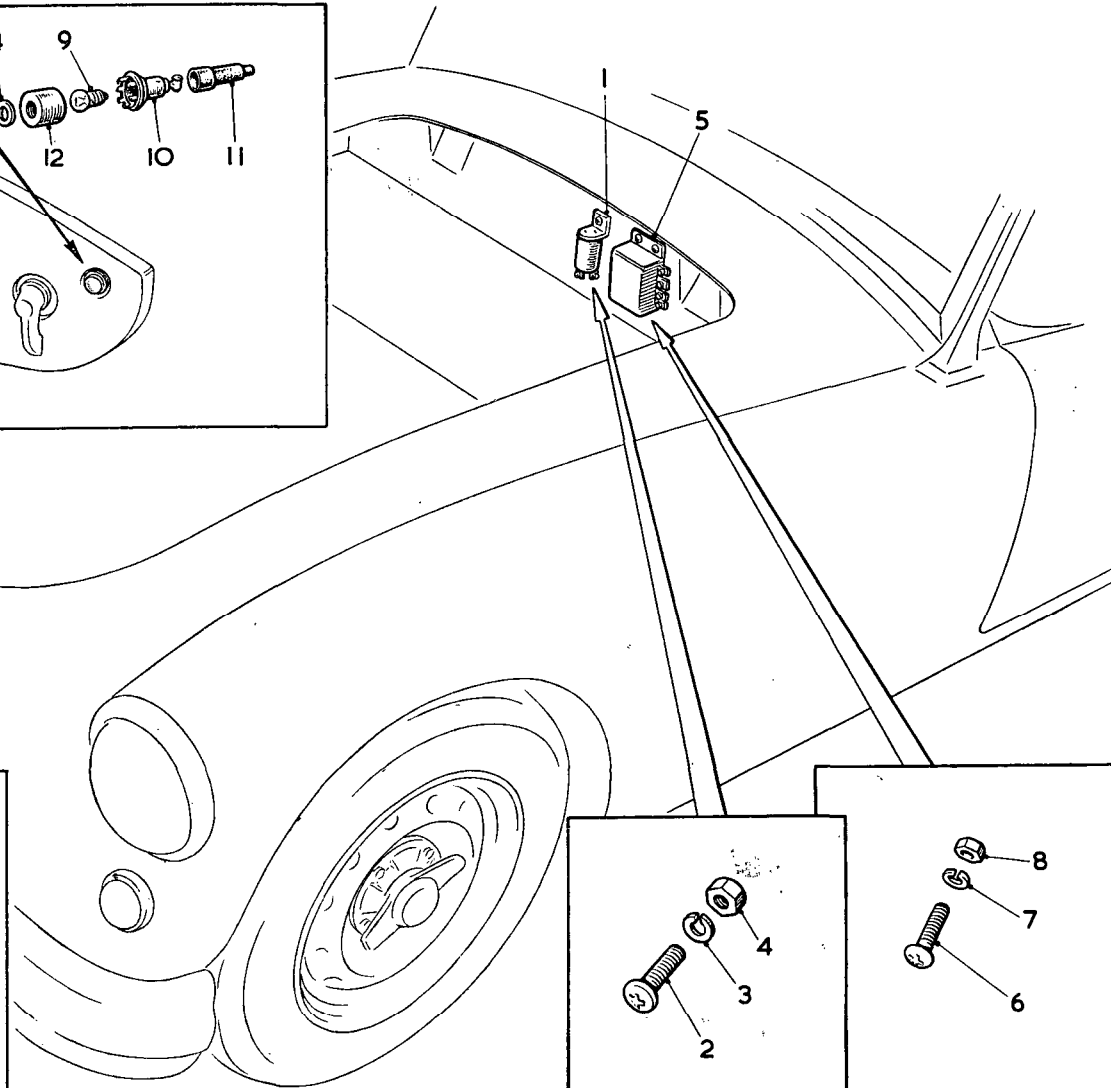
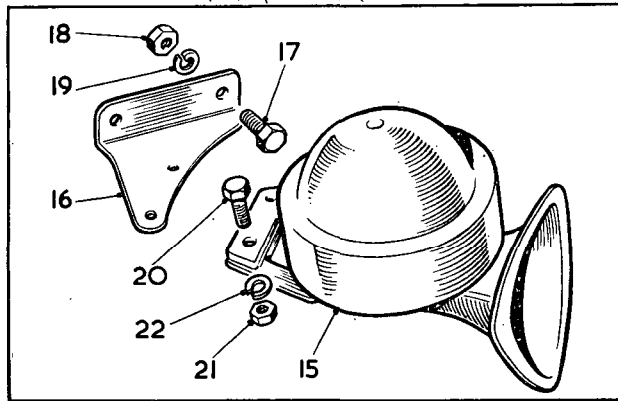
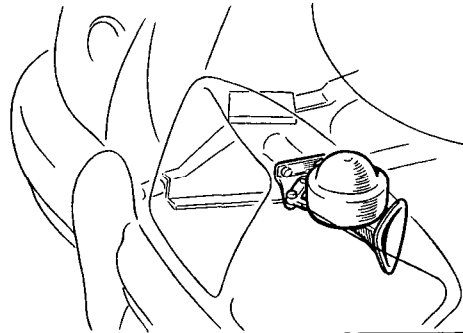
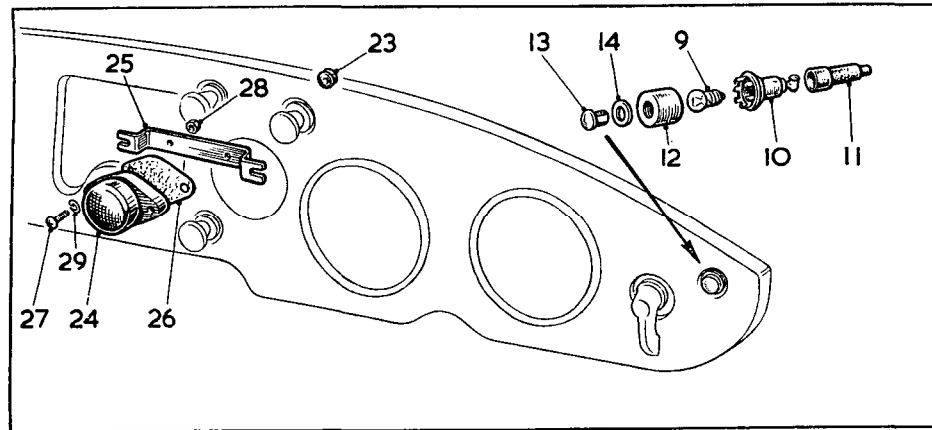
THE M.G. Series MGA TWIN CAM

Item No.	DESCRIPTION	Commencing (C) 501		Qty. per Vehicle		Unit of Issue	Type of Vehicle	MODIFICATIONS			REMARKS
		Part Number	Illus. No.	RHD	LHD			New Part Number	Change Point	Amdt. No.	
	<b>Lamps (Road)—continued</b>										
1	<b>Lamp—stop/tail and reflex assembly</b>	<b>13H23</b>		<b>2</b>	<b>2</b>						<b>Correction. Was ADA1613</b>
2	Lens and reflex assembly	AJA5069	NC52	2	2						
3	Screw—lens fixing	37H5410	NC53	4	4						
4	Washer—lens seating (rubber)	AJA5071	NC54	2	2						
5	Rim and bulb holder assembly	AJA5072	NC55	2	2						
6	Sleeve—terminal	37H5271	NC56	6	6						
7	Washer—lamp seating (rubber)	AJA5073	NC57	2	2						
8	Bulb	1F9026	NC58	2	2						
9	Screw—lamp to plinth	PMZ0808	NC59	4	4						
10	Washer for screw (spring)	LWZ203	NC60	4	4						
11	<b>Lamp—flasher rear (amber)</b>			<b>2</b>	<b>2</b>			<b>2A9013</b>			
12	<b>Lamp—flasher rear (red)</b>			<b>2</b>	<b>2</b>			<b>2A9040</b>			
13	Body (rubber)		NC61	2	2			37H5527			
14	Rim		NC62	2	2			7H5182			
15	Lens (amber)		NC63	2	2			37H5520			
16	Lens (red)			2	2			37H5531			
17	Bulb holder and plate assembly		NC64	2	2			37H5528	Com. (C) 2193		
18	Interior—bulb holder		NC65	2	2			AJH5100			
19	Bulb		NC66	2	2			1F9012			
20	Screw—lamp to plinth		NC67	6	6			PTZ604			
21	Nut for screw			6	6			PFS326			
22	<b>Plinth—tail lamp—R.H.</b>	<b>AHH5392</b>	<b>NC68</b>	<b>1</b>	<b>1</b>			<b>AHH5920</b>			
23	<b>Plinth—tail lamp—L.H.</b>	<b>AHH5393</b>		<b>1</b>	<b>1</b>			<b>AHH5921</b>			
24	Seal for plinth	AHH5505	NC69	2	2			AHH5918			
25	Screw—plinth to rear wing	HZS0405	NC70	4	4						
26	Washer for screw (plain)	PWZ204	NC71	4	4						
27	Washer for screw (spring)	LWZ204	NC72	4	4	12					
28	Grommet for cable	RFR104	NC73	2	2						
29	<b>Fog lamp</b>	<b>ADH785</b>		<b>2</b>	<b>2</b>						
30	Light unit	ACG5179	NC74	2	2						
31	Adaptor assembly	ACG5180	NC75	2	2						
32	Catch—rim	AJH5057	NC76	2	2						
33	Screw—catch	17H5400	NC77	2	2						
34	Nut—lamp spigot	17H5401	NC78	2	2						
35	Bulb	1F9034	NC79	2	2						
36	Lead—fog lamp (8' 9")	AHH5454	NC80	2	2						
37	Lead—fog lamp (1' 3")	AHH5541		2	2						
38	Grommet for fog lamp lead	RFR103	NC81	4	4						
39	Bracket—R.H. fog lamp	AHH5521	NC82	1	1						
40	Bracket—L.H. fog lamp	AHH5520		1	1						
41	Screw—bracket to bumper blade (lower)	HZS0506	NC83	2	2						
42	Nut for screw	FNZ105	NC84	2	2						
43	Washer for nut (spring)	LWZ205	NC85	2	2	24					
44	Screw—bracket to bumper blade (top)	PMP0518	NC86	2	2						
45	Washer for screw (plain)	PWP105	NC87	2	2						
46	Connector	2H2617	NC88	3	3						
47	Reflector—rear	BHA4148		2	2						
48	Bracket—reflector—R.H.	(SWITZERLAND) AHH5980		1	1						
49	Bracket—reflector—L.H.	(SWITZERLAND) AHH5981		1	1						



A29 09





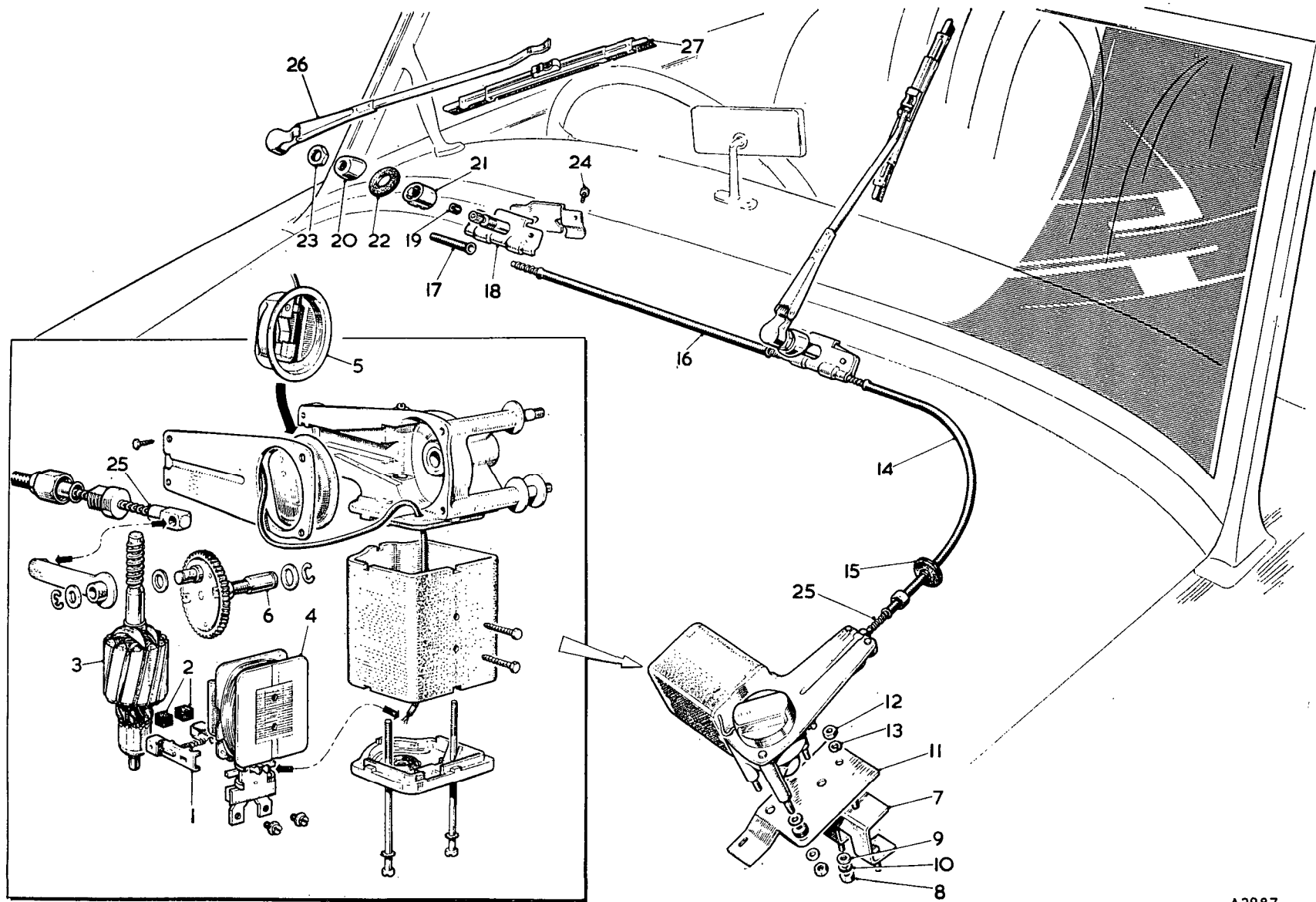
A3114

**SERVICE PARTS LIST**

**THE M.G. Series MGA TWIN CAM**

Item No.	DESCRIPTION	Commencing (C) 501		Qty. per Vehicle		Unit of Issue	Type of Vehicle	MODIFICATIONS			REMARKS
		Part Number	Illus. No.	RHD	LHD			New Part Number	Change Point	Amdt. No.	
	<b>FLASHER—HORN AND CONTROLS</b>										
1	<b>Flasher unit</b>	<b>11G9093</b>	<b>ND1</b>	<b>1</b>	<b>1</b>						
2	Screw—flasher unit to dash	FMZ0508	ND2	2	2						
3	Washer for screw (spring)	LWZ205	ND3	2	2	24					
4	Nut for screw	FNZ105	ND4	2	2						
5	<b>Relay unit—flasher</b>	<b>3H1454</b>	<b>ND5</b>	<b>1</b>	<b>1</b>						
6	Screw—relay unit to dash	PMZ0408	ND6	2	2				] Fin. (C) 2192		
7	Washer for screw (spring)	LWZ204	ND7	2	2	12					
8	Nut for screw	FNZ104	ND8	2	2						
9	<b>Warning light (flasher)</b>	<b>AHH5370</b>		<b>1</b>	<b>1</b>						
10	Bulb	2H4732	ND9	1	1						
11	Bulb holder	37H5181	ND10	1	1						
12	Sleeve (rubber)	3H999	ND11	1	1						
13	Shade	AJG5047	ND12	1	1						
14	Window (green)	AJG5046	ND13	1	1						
15	Bezel (chrome)	184166	ND14	1	1						
16	<b>Horn—low note</b>	<b>1B9007</b>	<b>ND15</b>	<b>1</b>	<b>1</b>						
17	Bracket—horn	135448	ND16	1	1						
18	Screw—horn bracket to R.H. front extension	HZS0505	ND17	2	2						
19	Nut for screw	FNZ105	ND18	2	2						
20	Washer for nut (spring)	LWZ205	ND19	2	2	24					
21	Screw—horn to bracket	HZS0407	ND20	2	2						
22	Nut for screw	FNZ104	ND21	2	2						
23	Washer for nut (spring)	LWZ204	ND22	2	2	12					
24	Grommet—horn	ADG1517	ND23	1	1						
25	<b>Push—horn</b>	<b>2H3383</b>	<b>ND24</b>	<b>1</b>	<b>1</b>						
26	Bracket—horn-push	AHH5287	ND25	1	1						
27	Insulating piece—horn-push	AHH5257	ND26	1	1						
28	Screw fixing horn-push	PMZ0210	ND27	2	2						
29	Nut for screw	CNZ102	ND28	2	2						
30	Washer for nut (spring)	LWZ202	ND29	2	2						
31	<b>Horn—high note</b>	<b>1B9008</b>		<b>1</b>	<b>1</b>						
32	Bracket—L.H. horn	135761		1	1						
33	Screw—horn bracket to L.H. front extension	HZS0505		2	2						
34	Nut for screw	FNZ105		2	2						
35	Washer for nut (spring)	LWZ205		2	2	24					
36	Screw—horn to bracket	HZS0407		2	2						
37	Nut for screw	FNZ104		2	2						
38	Washer for nut (spring)	LWZ204		2	2	12					
39	Harness—horn	AHH5453		1	1						
40	Strap—horn harness	AHH5506		2	2						
41	Grommet—horn	ADG1517		1	1						

Optional extra



A2987

**SERVICE PARTS LIST**

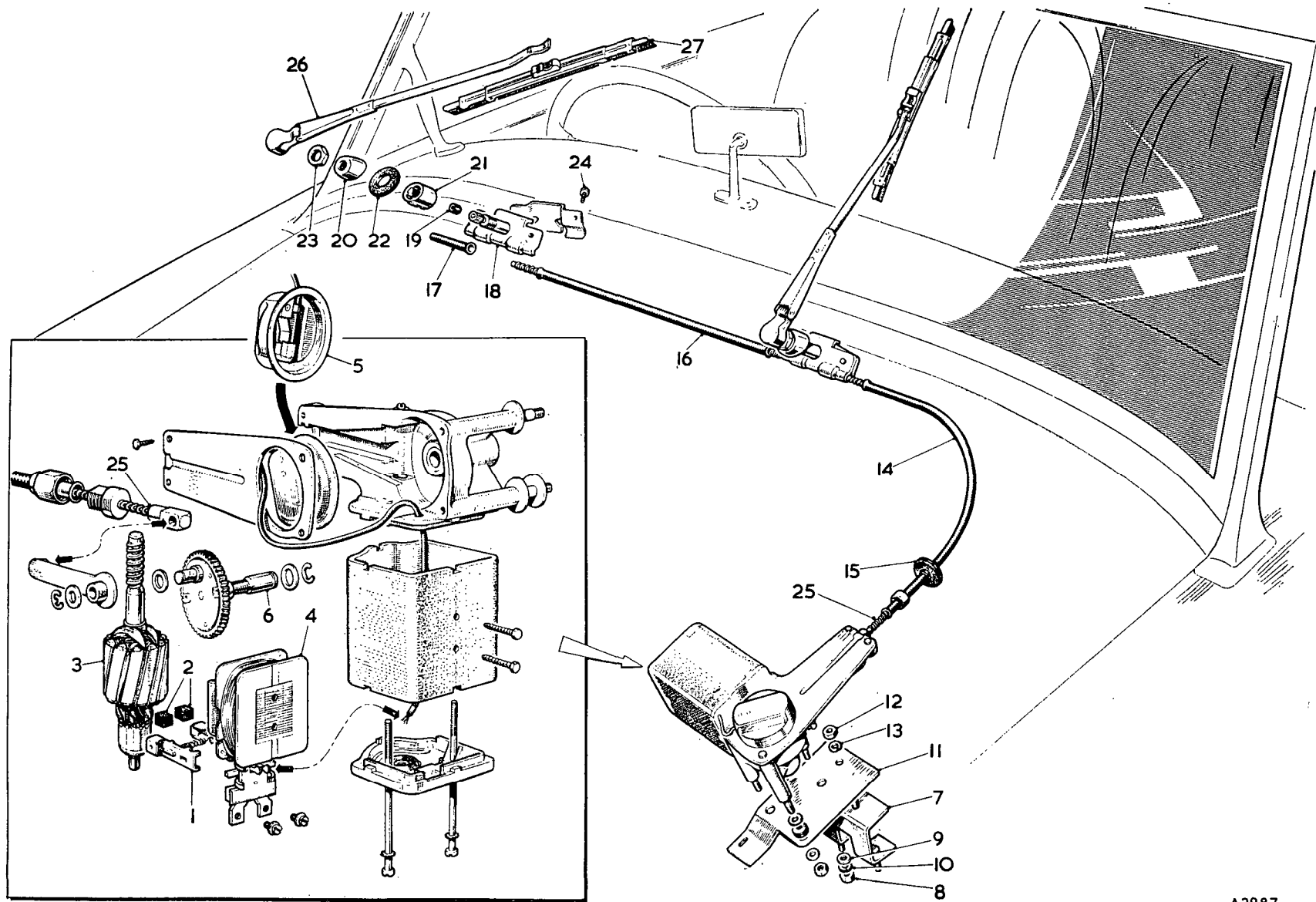
**THE M.G. Series MGA TWIN CAM**

Item No.	DESCRIPTION	Commencing (C) 501		Qty. per Vehicle		Unit of Issue	Type of Vehicle	MODIFICATIONS			REMARKS
		Part Number	Illus. No.	RHD	LHD			New Part Number	Change Point	Amdt. No.	
	<b>WINDSCREEN WIPER</b>										
1	<b>Motor—wiper</b>	<b>37H5308</b>		1	1						
2	Brush gear	17H5396	NE1	1 set	1 set	1					
3	Brushes	7H5130	NE2	1 set	1 set	1					
4	Armature	17H5255	NE3	1	1						
5	Coils—field	17H5432	NE4	1 set	1 set	1					
6	Fixing parts	17H5431		1 set	1 set	1					
7	Switch—adjusting	17H5442	NE5	1	1						
8	Shaft and gear	37H5437	NE6	1	1						
9	Sundry parts	17H5441		1 set	1 set	1					
10	Bracket—wiper motor (lower)	AHH5507	NE7	1	1						
11	Nut—lower bracket to bulkhead	FNZ103	NE8	2	2						
12	Washer for nut (plain)	PWZ204	NE9	2	2						
13	Washer for nut (spring)	LWZ203	NE10	2	2						
14	Bracket—wiper motor (upper)	AHH5508	NE11	1	1						
15	Nut—upper bracket to lower bracket	FNZ104	NE12	1	1						
16	Washer for nut (spring)	LWZ204	NE13	1	1	12					
17	<b>Casing—wheelbox to motor (outer)</b>	<b>AHH5410</b>	<b>NE14</b>	1	1						
18	Grommet	8D5768	NE15	1	1						
19	<b>Casing—wheelbox to wheelbox (outer)</b>	<b>AHH5411</b>	<b>NE16</b>	1	1						
20	Casing—short end (outer)	14G3722	NE17	1	1						
21	<b>Wheelbox assembly</b>	<b>14B5588</b>		2	2			BAAH151		488	
22	Spindle and gear	17H5388	NE18	2	2						
23	Tube for spindle (rubber)	17H5389	NE19	2	2						
24	Bush (front)	ADB826	NE20	2	2						
25	Bush (rear)	AHH5414	NE21	2	2						
26	Washer (rubber)	ADC560	NE22	2	2						
27	Nut	185925	NE23	2	2						
28	Screw for cover	17H5390	NE24	4	4						
29	<b>Cross-head and rack assembly</b>	<b>37H5169</b>	<b>NE25</b>	1	1						
30	Arm—wiper	17H5513	NE26	2	2						
31	Arm—wiper	17H5514		2	2						
32	Blade—wiper	17H5512	NE27	2	2						

**SERVICE PARTS LIST**

**THE M.G. Series MGA TWIN CAM**

Item No.	DESCRIPTION	Commencing (C) 501		Qty. per Vehicle		Unit of Issue	Type of Vehicle	MODIFICATIONS			REMARKS
		Part Number	Illus. No.	RHD	LHD			New Part Number	Change Point	Amdt. No.	
<b>CABLES AND CONNECTIONS</b>											
1	Harness—main forward	AHH5825		1	1			AHH5952	Com. (C) 2193		
2	Harness—chassis	AHH5444		1	1			AHH5953			
3	Harness—panel	AHH5445		1	1			AHH5970			
4	Harness—tail lamp	AHH5446		1	1			AHH5954			
5	Cable—coil to distributor	AHH5826		1	1						
6	Cable—positive battery to earth	AHH5448		1	1						
7	Cable—negative battery to starter switch	AHH5449		1	1						
8	Link—positive battery to negative	AHH5450		1	1						
9	Cable—starter switch to starter	AHH5814		1	1						
10	Cable—petrol pump to earth	ADH2611		1	1						
11	Nut for petrol pump to earth cable	FNZ104		1	1						
12	Washer for nut (spring)	LWZ204		1	1	12					
13	Lead—flasher and headlamp—L.H.	37H5057		1	1			AHH5969	Com. (C) 2193		
14	Strip—engine to earth	AHH5452		1	1						
15	Clip—main harness to bulkhead	PCR1007		2	2						
16	Screw for clip	PMZ0810		2	2						
17	Nut for screw	FNZ103		2	2						
18	Washer for nut (spring)	LWZ203		2	2						
19	Clip—main harness to body bolt	PCR1011		1	1						
20	Clip—main harness to wing bolt	PCR0811		2	2						
21	Nut for wing bolt clip and earth wire	FNZ105		3	3						
22	Washer for nut (spring)	LWZ205		3	3	24					
23	Clip—headlamp cable to front panel	PCR0607		3	3						
24	Screw for clip	PMZ0308		3	3						
25	Nut for screw	FNZ103		3	3						
26	Washer for nut (spring)	LWZ203		3	3						
27	Clip—dynamo cable to starter cable (rubber)	ACH8979		1	1						
28	Clip—negative cable to rear ramp screw	PCR0709		1	1						
29	Nut for screw	FNZ204		1	1						
30	Washer for nut (spring)	LWZ204		1	1	12					
31	Clip—tail lamp harness to side-member	PCR0407		1	1						
32	Screw for clip	PMZ0306		2	2						
33	Nut for screw	FNZ103		2	2						
34	Washer for nut (spring)	LWZ203		2	2						
35	Clip—coil to L.H. wing valance	PCR0709		1	1						
36	Sleeve (rubber)	ACH8529		1	1						
37	Bolt for clip	HBZ0405		1	1						
38	Nut for bolt	FNZ104		1	1						
39	Washer for nut (spring)	LWZ204		1	1	12					
40	Screw—battery earth cable	HZS0504		1	1						
41	Nut for screw	FNZ105		1	1						
42	Washer for nut (spring)	LWZ205		1	1	24					



A2987

SERVICE PARTS LIST

THE M.G. Series MGA TWIN CAM

Item No.	DESCRIPTION	Commencing (C) 501		Qty. per Vehicle		Unit of Issue	Type of Vehicle	MODIFICATIONS			REMARKS
		Part Number	Illus. No.	RHD	LHD			New Part Number	Change Point	Amdt. No.	
	<b>INSTRUMENTS</b>										
1	Speedometer (miles) .....	<b>17H292</b>	<b>01</b>	<b>1</b>							
2	Speedometer (kilometres) .....	<b>17H293</b>		<b>1</b>							
3	Bezel .....	27H397	02	1	1						
4	Strap .....	AJH5176	03	1	1						
5	Glass .....	AJH5177	04	1	1						
6	Ring (rubber) .....	AJH5178	05	1	1						
7	Knob—trip .....	AJH5179	06	1	1						
8	Washer (spring) .....	27H387	07	2	2						
9	Nut (knurled) .....	17H932	08	2	2						
10	Bulb—speedometer illumination .....	2H4732	09	2	2						
11	Bulb holder .....	37H5181	010	2	2						
12	<b>Cable—speedometer (5' 3")</b> .....	<b>27H1393</b>		<b>1</b>	<b>1</b>						
13	Cable (inner) .....	17H1346	011	1	1						
14	Cable (outer) .....	27H1391	012	1	1						
15	<b>Cable—speedometer (5' 3")</b> .....			<b>1</b>							
16	Cable (inner) .....			1							
17	Cable (outer) .....			1							
18	<b>Cable—speedometer (5' 6")</b> .....				<b>1</b>						
19	Cable (inner) .....				1						
20	Cable (outer) .....				1						
21	Clip—fixing cable .....	PCR0709	013	1	1						
22	Sleeve for clip (rubber) .....	ACH8529	014	1	1						
23	Nut—fixing clip .....	FNZ104	015	1	1						
24	Washer for nut (spring) .....	LWZ204	016	1	1						
25	Grommet for cable (through dash) .....	ACB8474	017	1	1						
26	Grommet—blanking (cable hole in dash) .....	4G2541	018	1	1						
27	<b>Revolution counter</b> .....	<b>BHA4083</b>	<b>019</b>	<b>1</b>	<b>1</b>						
28	Bezel .....	27H397	020	1	1						
29	Strap .....	27H429	021	1	1						
30	Glass .....	AJH5177	022	1	1						
31	Ring (rubber) .....	AJH5178	023	1	1						
32	Washer (shakeproof) .....	17H1341	024	2	2						
33	Nut (knurled) .....	17H1304	025	2	2						
34	Bulb—revolution counter illumination .....	2H4732	026	1	1						
35	Bulb holder .....	37H5181	027	1	1						
36	<b>Cable—revolution counter (48")</b> .....	<b>1B9141</b>		<b>1</b>							
37	Cable (inner) .....	17H630	028	1							
38	Cable (outer) .....	17H1343	029	1							
39	<b>Cable—revolution counter (38")</b> .....	<b>27H1801</b>			<b>1</b>						
40	Cable (inner) .....	27H1860			1						
41	Cable (outer) .....	27H1861			1						
42	Grommet for cable (through dash) .....	ACB8474	030	1	1						
43	Bulb—ignition warning light .....	2H4732	031	1	1						
44	Bulb holder .....	47H5166	032	1	1						
45	Sleeve (rubber) .....	3H909	033	1	1						
46	Grommet—blanking (cable hole in dash) .....	4G2541	034	1	1						

BCA4079

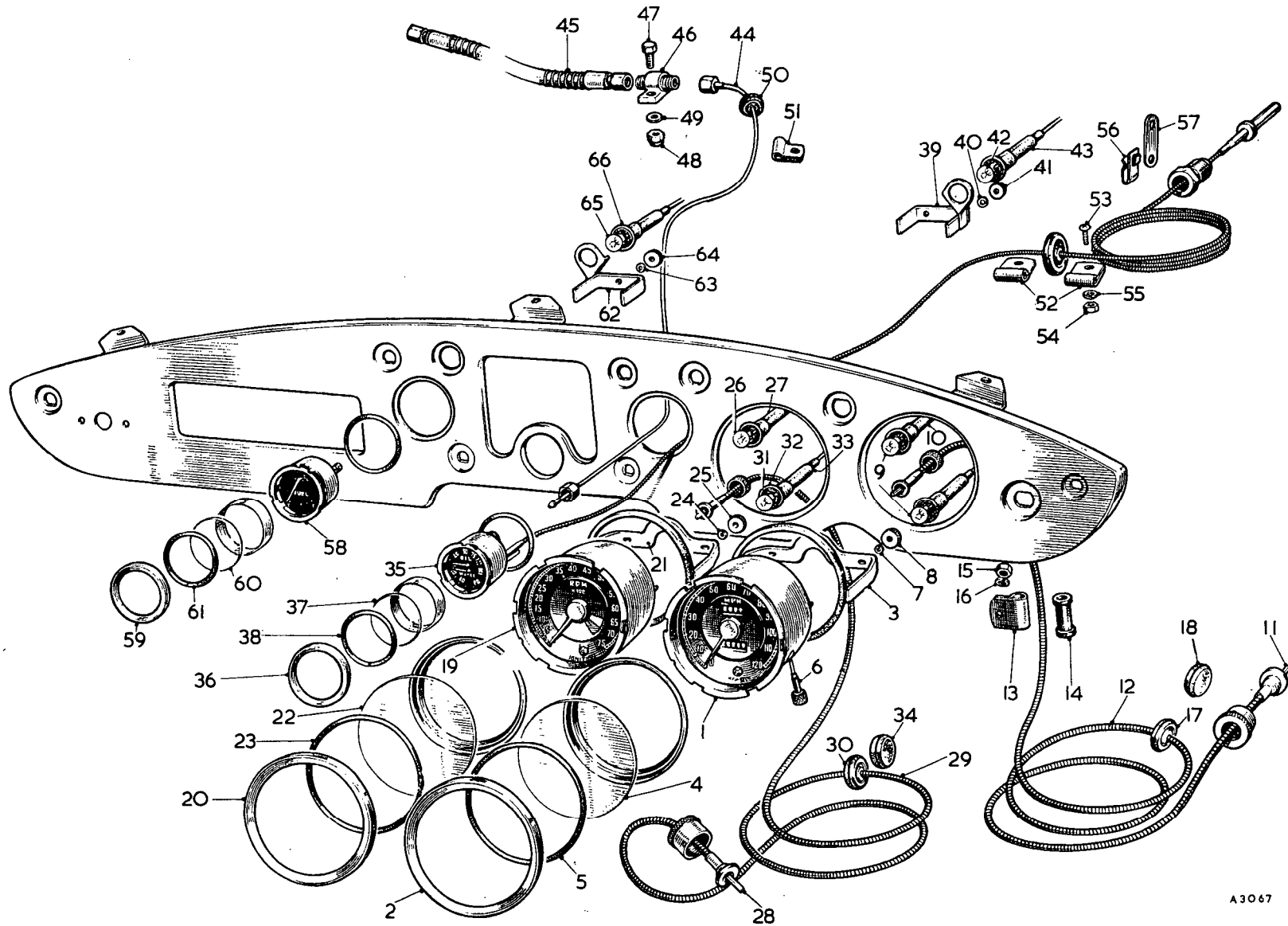
Fin. (C) (LHD) 712,  
(RHD) 2466

466

BCA4079  
17H1346  
17H1586  
ACC8788  
17H756  
17H757

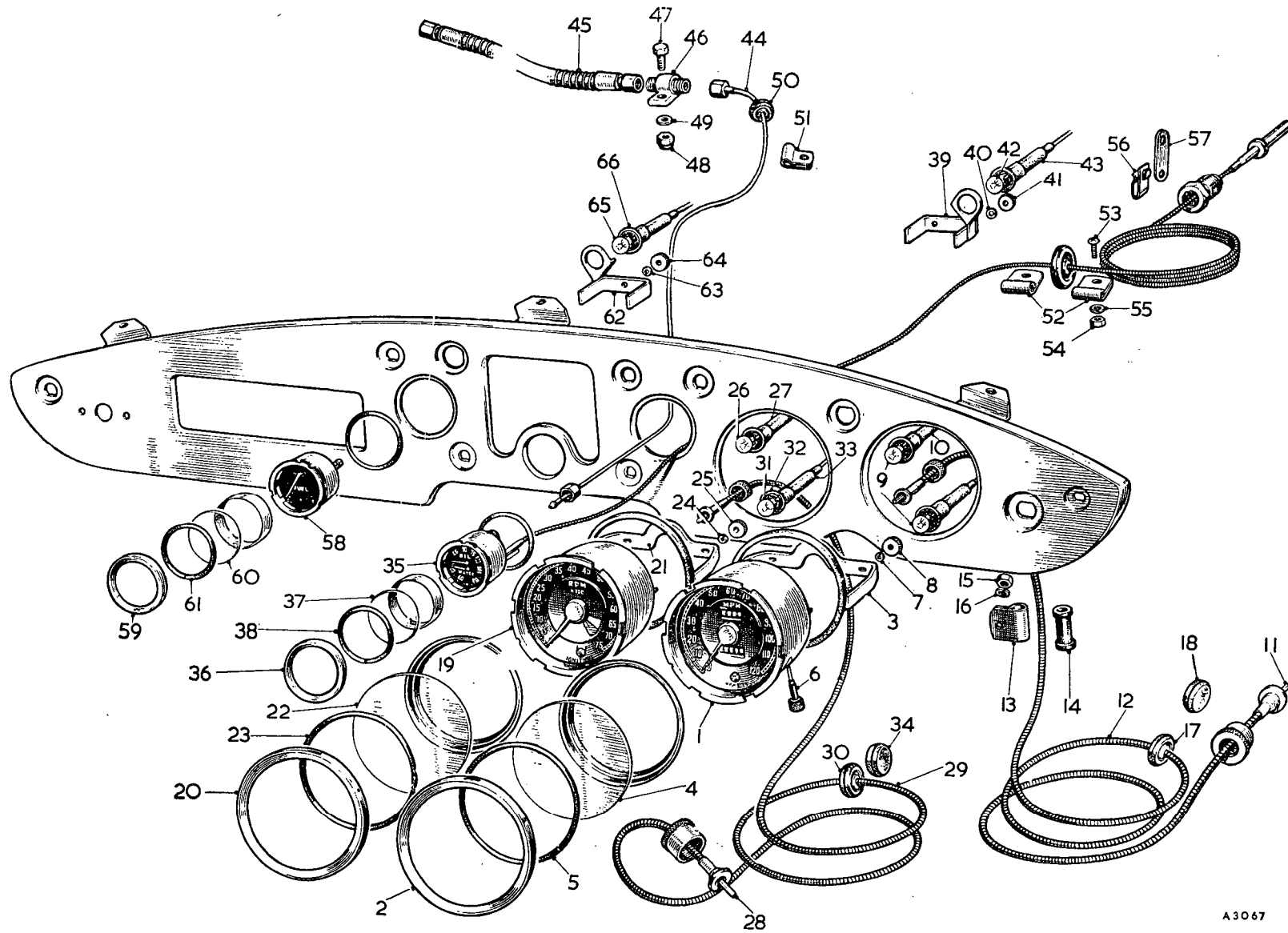
Com. (C) 2467

Com. (C) 713



A3067





A 3067

**SERVICE PARTS LIST**

**THE M.G. Series MGA TWIN CAM**

Item No.	DESCRIPTION	Commencing (C) 501		Qty. per Vehicle		Unit of Issue	Type of Vehicle	MODIFICATIONS			REMARKS
		Part Number	Illus. No.	RHD	LHD			New Part Number	Change Point	Amdt. No.	
	<b>Instruments—continued</b>										
1	<b>Gauge—oil and temperature (Fahrenheit)</b>	<b>17H298</b>	<b>O35</b>	1	1						
2	<b>Gauge—oil and temperature (Centigrade)</b>			1	1			<b>BHA4110</b>	<b>Com. (C) 713</b>		
3	Bezel	AJH5182	O36	1	1						
4	Glass	17H1068	O37	1	1						
5	Ring (rubber)	17H1821	O38	1	1						
6	Ring (rubber)			1	1			<b>27H972</b>	] <b>Com. (C) 713</b>		] Centigrade gauge
7	Strip—window			1	1			<b>17H1481</b>			
8	Strap	AJH5186	O39	1	1						
9	Washer (spring)	27H387	O40	2	2						
10	Nut (knurled)	17H932	O41	2	2						
11	Bulb—oil and temperature gauge illumination	2H4732	O42	1	1						
12	Bulb holder	3H914	O43	1	1						
13	<b>Pipe assembly—oil gauge</b>	<b>AHH5323</b>	<b>O44</b>	1	1						
14	Pipe—connector to engine (flexible)	AHH5820	O45	1	1						
15	Connector—oil gauge pipe	83875	O46	1	1						
16	Screw—connector to starter bracket	HZS0406	O47	1	1						
17	Nut for screw (aerotight)	LNZ104	O48	1	1						
18	Nut for screw (nyloc)	LNZ204		1	1						] Alternatives
19	Washer for screw	PWZ104	O49	1	1	12					
20	Grommet—oil gauge pipe	84138	O50	1	1						
21	Clip—oil gauge pipe to bulkhead (front)	PCR0207	O51	1	1						
22	Clip—oil gauge pipe to bulkhead (rear)	PCR0207		1	1						
23	Clip—thermometer pipe to bulkhead (front and rear)	PCR0307	O52	2	2						
24	Screw—oil and thermometer pipe clip	PMZ0307	O53	1	1						
25	Nut for screw	FNZ103	O54	2	2						
26	Washer for screw (spring)	LWZ203	O55	2	2						
27	Clip—thermometer pipe	BHA4081	O56	1	1						
28	Retainer—clip	AHH5802	O57	1	1						
29	<b>Gauge—fuel</b>	<b>17H299</b>	<b>O58</b>	1	1						
30	Bezel	AJH5182	O59	1	1						
31	Glass	17H1068	O60	1	1						
32	Ring (rubber)	17H1821	O61	1	1						
33	Strap	AJH5185	O62	1	1						
34	Washer (spring)	27H387	O63	1	1						
35	Nut (knurled)	17H932	O64	1	1						
36	Bulb—fuel gauge illumination	2H4732	O65	1	1						
37	Bulb holder	3H914	O66	1	1						