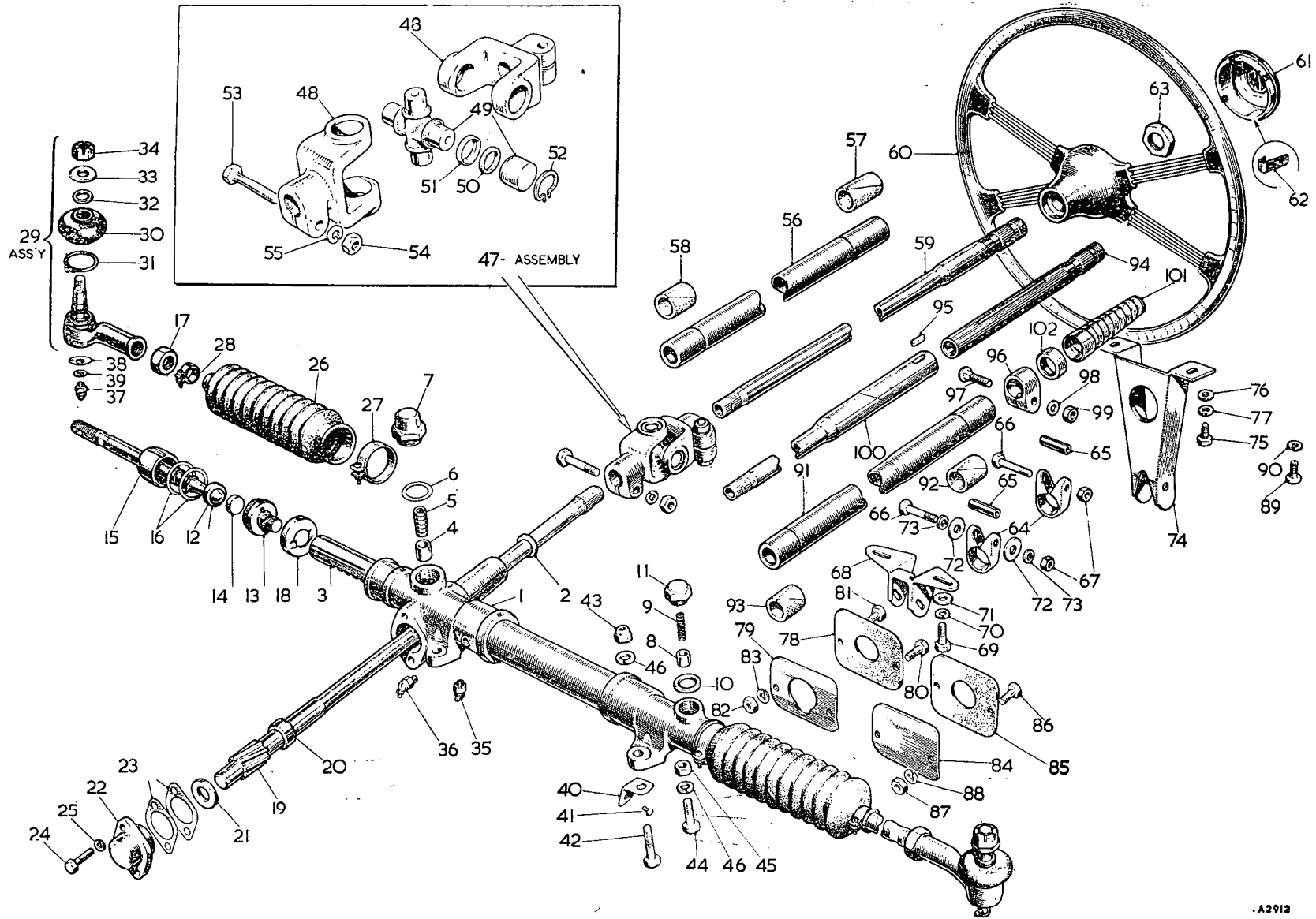


SERVICE PARTS LIST

THE M.G. Series MGA TWIN CAM

Item No.	DESCRIPTION	Commencing (C) 501		Qty. per Vehicle		Unit of Issue	Type of Vehicle	MODIFICATIONS			REMARKS
		Part Number	Illus. No.	RHD	LHD			New Part Number	Change Point	Amdt. No.	
	<b>STEERING</b>										
1	Rack assembly	AHH6038		1							
2	Rack assembly	AHH6039			1						
3	Housing assembly	AHH6042	J1	1							
4	Housing assembly	AHH6043			1						
5	Seal for pinion	126922	J2	1	1						
6	Rack—steering	AHH6020	J3	1	1						
7	Pad—rack damper	ACA5244	J4	1	1	12					
8	Spring—rack damper	ACA5248	J5	1	1	6					
9	Shim	ACA5249	J6	A/R	A/R						
10	Housing—rack damper	ACA5245	J7	1	1						
11	Pad—rack damper secondary	ACA5284	J8	1	1	6					
12	Spring—rack damper secondary	ACA5286	J9	1	1						
13	Washer—rack damper secondary	ACA5288	J10	1	1						
14	Housing—rack damper secondary	ACA5285	J11	1	1						
15	Rod—tie	AHH6019	J12	2	2						
16	Housing—male ball	ACA6031	J13	2	2						
17	Seat—ball	ACA5246	J14	2	2						
18	Housing—female ball	ACA5304	J15	2	2						
19	Shim—ball housing (.003")	ACA5301	J16	A/R	A/R						
20	Shim—ball housing (.005")	ACA5302		A/R	A/R						
21	Locknut for tie rod	AJB6025	J17	2	2						
22	Washer for tie-rod (lock)	ACA5247	J18	2	2	12					
23	Pinion—steering	AHH6036	J19	1							
24	Pinion—steering	AHH6037			1						
25	Washer for upper pinion (thrust)	130795	J20	1	1						
26	Washer for lower pinion (thrust)	126926	J21	1	1						
27	Bearing—pinion tail	AHH6023	J22	1	1						
28	Shim—tail bearing (.005")	126920	J23	A/R	A/R						
29	Shim—tail bearing (.007")	126921		A/R	A/R						
30	Screw—bearing to steering box	HZS0506	J24	2	2						
31	Washer for screw (spring)	LWZ205	J25	2	2	24					
32	Seal—rack to tie rod	130801	J26	2	2						
33	Clip for seal (large)	ACA6030	J27	2	2						
34	Clip for seal (small)	ACA5118	J28	2	2						
35	Socket assembly—ball	AHG6168	J29	2	2			868432		436	
36	Boot for ball socket	7H3571	J30	2	2						
37	Clip for boot	7H3565	J31	2	2						
38	Ring—boot clip	ACA6004	J32	2	2			7H3763		477	
39	Washer for ball socket	PWZ107	J33	2	2						
40	Nut for ball socket	FNZ407	J34	2	2						
41	Greaser—pinion	UHN305	J35	1	1						
42	Greaser—rack	UHN205	J36	1	1						





.A2912

**SERVICE PARTS LIST**

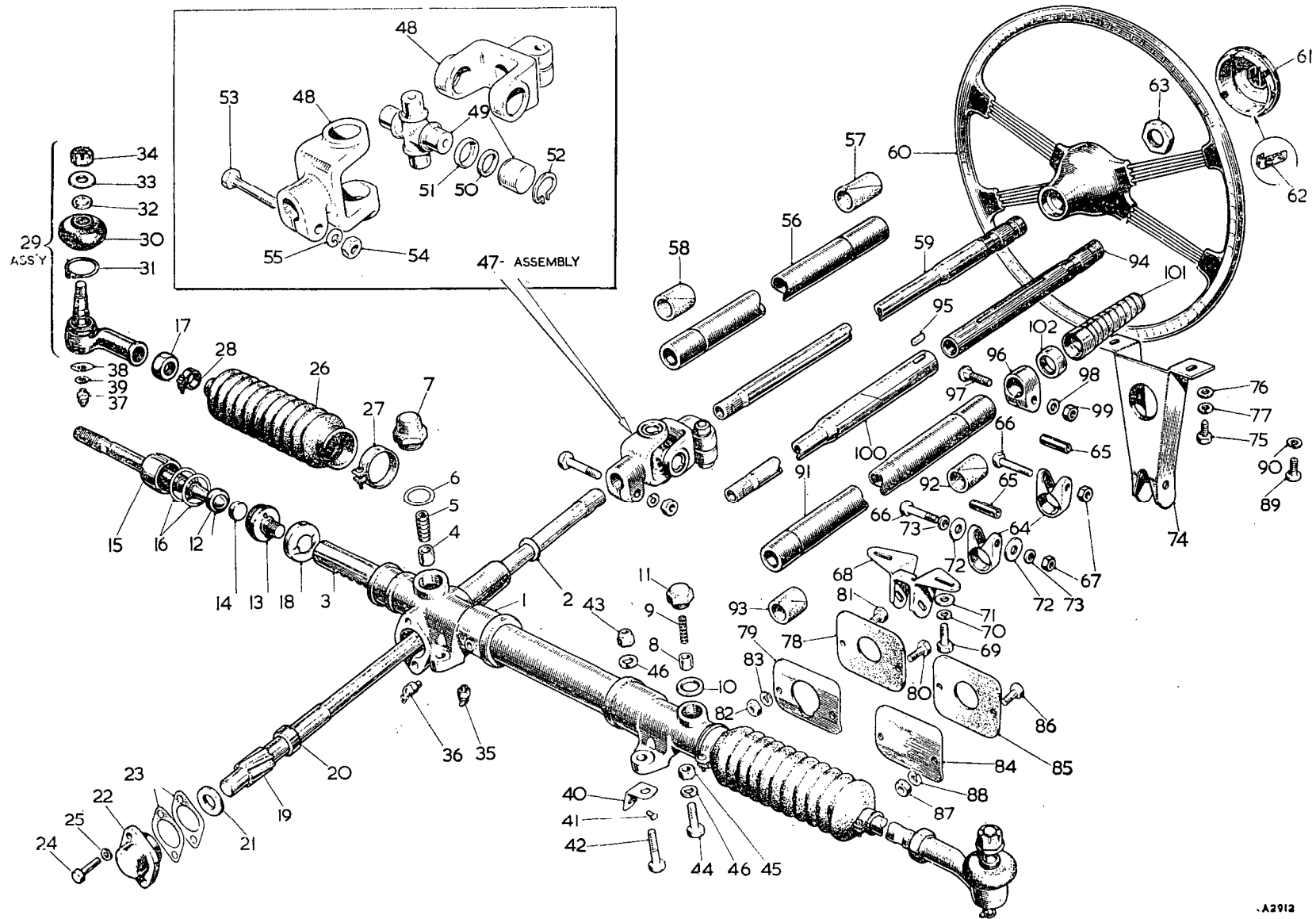
**THE M.G. Series MGA TWIN CAM**

Item No.	DESCRIPTION	Commencing (C) 501		Qty. per Vehicle		Unit of Issue	Type of Vehicle	MODIFICATIONS			REMARKS
		Part Number	Illus. No.	RHD	LHD			New Part Number	Change Point	Amdt. No.	
	<b>Steering—continued</b>										
1	Greaser—ball socket .....	UHN405	J37	1	1						
2	Washer for ball socket (cup) .....	ACH6170	J38	2	2						
3	Washer for ball socket (fibre) .....	ACH6173	J39	2	2	12					
4	Shim—rack to bracket .....	AHH6007	J40	4	4						
5	Rivet for shim .....	6K9714	J41	4	4						
6	Bolt—rack to bracket (front) .....	HZS0509	J42	2	2						
7	Nut for bolt .....	LNZ205	J43	2	2						
8	Bolt—rack to bracket (rear) .....	HZS0508	J44	2	2						
9	Nut for bolt .....	FNZ105	J45	2	2						
10	Washer for nut (spring) .....	LWZ205	J46	4	4	24					
11	<b>Joint—universal—steering-column</b>	<b>AHH6000</b>	<b>J47</b>	<b>1</b>	<b>1</b>						
12	End yoke .....	17H3925	J48	2	2						
13	Journal assembly .....	17H3873	J49	1	1						
14	Joint for journal .....	17H3874	J50	4	4						
15	Retainer for joint .....	17H3875	J51	4	4						
16	Circlip .....	17H3811	J52	4	4						
17	Bolt for universal joint .....	17H3839	J53	2	2						
18	Nut for bolt .....	17H3840	J54	2	2						
19	Washer for nut (spring) .....	17H3841	J55	2	2						
20	<b>Column assembly</b>	<b>AHH6011</b>		<b>1</b>	<b>1</b>						
21	Tube (outer).....	AHH6025	J56	1	1						
22	Bush—upper end (felt) .....	7H6255	J57	1	1						
23	Bush—lower end (felt) .....	AHH6027	J58	1	1						
24	Tube assembly (inner) .....	AHH6028	J59	1	1						
25	<b>Wheel—steering</b>	<b>AHH6003</b>	<b>J60</b>	<b>1</b>	<b>1</b>						
26	Cover for steering-wheel .....	AHH6004	J61	1	1						
27	Clip for cover (spring) .....	AHH6085	J62	4	4						
28	Nut for steering-wheel .....	ACH6001	J63	1	1						
29	Clamp for steering-column .....	AHH6005	J64	2	2						
30	Distance piece for clamp .....	AHH6006	J65	2	2						
31	Bolt—clamp.....	HBZ0518	J66	2	2						
32	Nut for clamp bolt.....	FNZ105	J67	2	2						
33	<b>Bracket for steering-column (lower)</b>	<b>AHH6008</b>	<b>J68</b>	<b>1</b>	<b>1</b>						
34	Screw—bracket to frame .....	HZS0506	J69	2	2						
35	Washer for screw (spring) .....	LWZ205	J70	2	2	24					
36	Washer for screw (plain) .....	PWZ105	J71	2	2						
37	Washer—lower bracket to frame (plain) .....	PWZ205	J72	2	2						
38	Washer—lower bracket to clamp (spring) .....	LWZ205	J73	2	2	24					
39	<b>Bracket for steering-column (upper)</b>	<b>AHH6030</b>	<b>J74</b>	<b>1</b>	<b>1</b>						
40	Screw—bracket to body rail .....	HPZ0505	J75	2	2						
41	Washer for screw (plain) .....	PWZ205	J76	2	2						
42	Washer for screw (spring) .....	LWZ205	J77	2	2	24					

**SERVICE PARTS LIST**

**THE M.G. Series MGA TWIN CAM**

Item No.	DESCRIPTION	Commencing (C) 501		Qty. per Vehicle		Unit of Issue	Type of Vehicle	MODIFICATIONS			REMARKS
		Part Number	Illus. No.	RHD	LHD			New Part Number	Change Point	Amdt. No.	
	<b>Steering—continued</b>										
1	Seal for column (rubber)	AHH6009	J78	1	1						
2	Retainer for seal	AHH6010	J79	1	1						
3	Screw—retainer to dash	HZS0505	J80	1	1						
4	Screw—retainer to dash	HZS0506	J81	1	1						
5	Nut for screw	FNZ105	J82	2	2						
6	Washer for nut (spring)	LWZ205	J83	2	2	24					
7	Plate—blanking	AHH6024	J84	1	1						
8	Seal for blanking plate	AHH6009	J85	1	1						
9	Screw—blanking plate to dash	HZS0505	J86	2	2						
10	Nut for screw	FNZ105	J87	2	2						
11	Washer for nut (spring)	LWZ205	J88	2	2	24					
12	Screw—column bracket blanking holes	PMZ0508	J89	2	2						
13	Washer for screw (spring)	LWZ205	J90	2	2	24					
	<b>ADJUSTABLE STEERING-COLUMN</b>										
14	<b>Column assembly—adjustable</b>	<b>AHH6012</b>		<b>1</b>	<b>1</b>						
15	Tube (outer)	AHH6031	J91	1	1						Optional extra
16	Bush—upper (felt)	AHH6032	J92	1	1						
17	Bush—lower (felt)	AHH6027	J93	1	1						
18	Tube—inner (top)	ACC6042	J94	1	1						
19	Key for tube	47330	J95	1	1						
20	Collar—clamping	47327	J96	1	1						
21	Bolt for clamping collar	AJC6014	J97	1	1						
22	Washer for bolt	47325	J98	1	1						
23	Nut for bolt	FNP205	J99	1	1						
24	Tube assembly—inner (bottom)	AHH6033	J100	1	1						
25	Cover—spring	130463	J101	1	1						
26	Cup—spring cover	130462	J102	1	1						



A2912