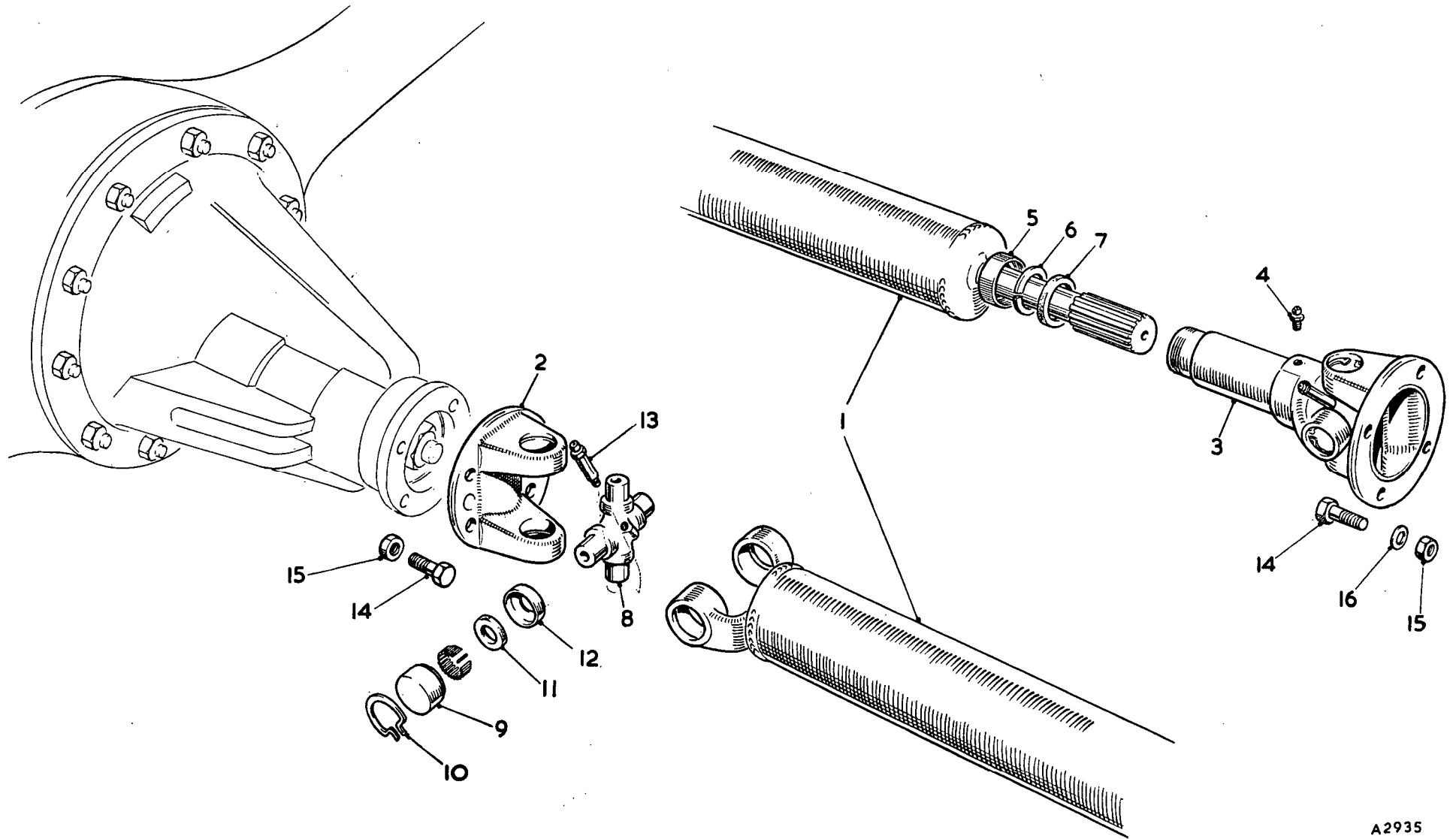


SERVICE PARTS LIST

THE M.G. Series MGA TWIN CAM

Item No.	DESCRIPTION	Commencing (C)501		Qty. per Vehicle		Unit of Issue	Type of Vehicle	MODIFICATIONS			REMARKS
		Part Number	Illus. No.	RHD	LHD			New Part Number	Change Point	Amdt. No.	
	TRANSMISSION										
	PROPELLER SHAFT										
1	Shaft assembly—propeller	AHH5730		1	1						
2	Tubular shaft assembly	17H3928	G1	1	1						
3	Yoke flange	7H3863	G2	2	2						
4	Yoke sleeve assembly	7H3865	G3	1	1						
5	Lubricator—yoke sleeve	UHN400	G4	1	1						
6	Dust cap—yoke sleeve	7H3878	G5	1	1						
7	Washer for dust cap (steel)	7H3879	G6	1	1						
8	Washer for dust cap (cork)	7H3880	G7	1	1						
9	Journal assembly	8G8183		2	2						
10	Journal	N.S.P.	G8	2	2						
11	Bearing assembly—needle	17H3955	G9	8	8						
12	Circlip	7H3877	G10	8	8						
13	Gasket	17H3818	G11	8	8						
14	Retainer—gasket	17H3819	G12	8	8						
15	Lubricator—journal	7H3858	G13	2	2						
16	Bolt—propeller shaft flange	185393	G14	8	8						
17	Nut for bolt	LNZ105	G15	8	8						
18	Washer for front bolt (plain)	PWZ205	G16	4	4						

Correction. Was 3H1709



A2935