

A3065

**SERVICE PARTS LIST**

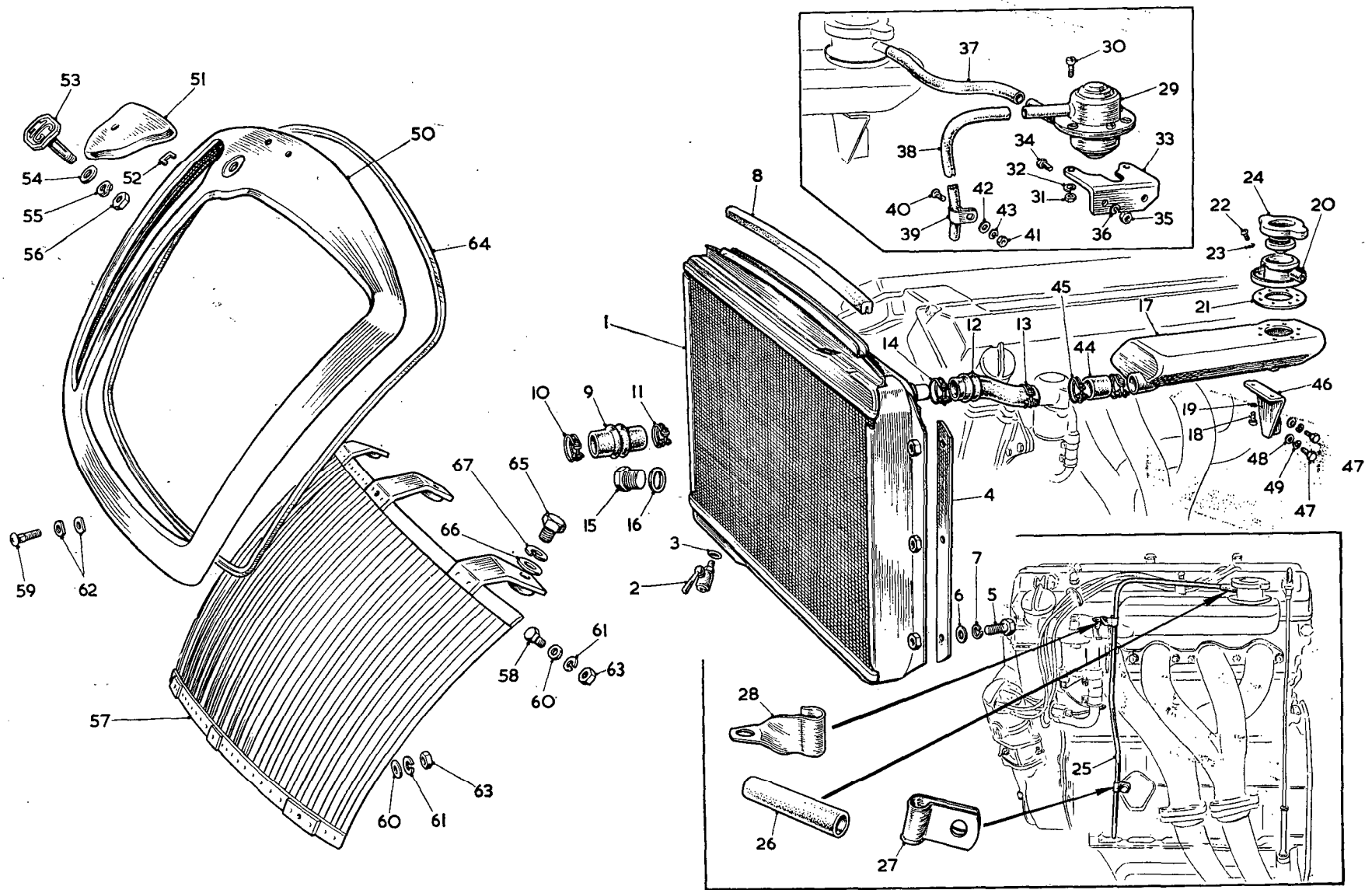
**THE M.G. Series MGA TWIN CAM**

Item No.	DESCRIPTION	Commencing (C) 501		Qty. per Vehicle		Unit of Issue	Type of Vehicle	MODIFICATIONS			REMARKS
		Part Number	Illus. No.	RHD	LHD			New Part Number	Change Point	Amdt. No.	
<b>COOLING SYSTEM</b>											
1	<b>Block assembly—radiator</b>	<b>ARH121</b>	<b>C1</b>	<b>1</b>	<b>1</b>						
2	Tap—drain	ARH1050	C2	1	1						
3	Washer for tap	ARH517	C3	1	1						
4	Packing piece—block to body	AHH5144	C4	2	2						
5	Screw for block	HZS0507	C5	6	6						
6	Washer for screw (plain)	PWZ105	C6	6	6						
7	Washer for screw (spring)	LWZ205	C7	6	6	24					
8	Rubber—radiator air seal	AHH5706	C8	1	1						
9	<b>Hose (bottom)</b>	<b>AHH5704</b>	<b>C9</b>	<b>1</b>	<b>1</b>						
10	Clip (large)	X19546	C10	1	1						
11	Clip (small)	95621	C11	1	1						
12	<b>Hose (top)</b>	<b>AHH5709</b>	<b>C12</b>	<b>1</b>	<b>1</b>						
13	Clip (large)	X19546	C13	1	1						
14	Clip (small)	95621	C14	1	1						
15	Plug—connector pipe	AEK122	C15	1	1						
16	Washer for plug	AEK123	C16	1	1						
17	<b>Tank—header</b>	<b>AEH593</b>	<b>C17</b>	<b>1</b>	<b>1</b>						Not required when heater is fitted Always fit in addition 1 off overflow pipe AEH596 prior to (E) 131
18	Screw—tank to mounting bracket	ZCS0506	C18	2	2						
19	Washer for screw (spring)	LWZ205	C19	2	2	24					
20	Filler neck	AEH487	C20	1	1						
21	Joint for filler neck	AEH490	C21	1	1						
22	Screw for filler neck	AEC362	C22	6	6			PMZ0306	Com. (E) 596		Always use PMZ0306 prior to (E) 596
23	Washer for screw (spring)	LWZ203	C23	6	6						
24	<b>Cap—header tank</b>	<b>ARH1022</b>	<b>C24</b>	<b>1</b>	<b>1</b>			<b>AHH5904</b>	<b>Com. (C) 652. Also (C) 575, 613, 623, 633, 648</b>		
25	Pipe—overflow	AEH595	C25	1	1			AEH596	Com. (E) 131 Fin. (C) 651 except (C) 575, 613, 623, 633, 648		
26	Connection for overflow pipe (rubber)	AEH594	C26	1	1						
27	Clip—overflow pipe to cylinder block blanking plate	PCR0511	C27	1	1						
28	Clip—overflow pipe to thermostat housing cover	AEH604	C28	1	1						
29	Relief valve and cage assembly—radiator		C29	1	1			AHH5903	Com. (C) 652. Also (C) 575, 613, 623, 633, 648		
30	Screw fixing valve to bracket		C30	2	2			PMZ0308			
31	Nut for screw		C31	2	2			FNZ103			
32	Washer for nut (spring)		C32	2	2			LWZ203			

**SERVICE PARTS LIST**

**THE M.G. Series MGA TWIN CAM**

Item No.	DESCRIPTION	Commencing (C) 501		Qty. per Vehicle		Unit of Issue	Type of Vehicle	MODIFICATIONS			REMARKS
		Part Number	Illus. No.	RHD	LHD			New Part Number	Change Point	Amdt. No.	
	<b>Cooling System—continued</b>										
1	Bracket—valve		C33	1	1			AHH5906	Com. (C) 652. Also (C) 575, 613, 623, 633, 648		
2	Screw fixing bracket to body		C34	2	2			HZS0404			
3	Nut for screw		C35	2	2			FNZ104			
4	Washer for nut (spring)		C36	2	2	12		LWZ204			
5	<b>Hose—header tank to valve</b>		<b>C37</b>	1	1			<b>AHH5905</b>			
6	Tube—overflow		C38	1	1			AHH5907			
7	Clip—overflow tube		C39	1	1			PCR0607			
8	Screw fixing clip to body		C40	1	1			PMZ0306			
9	Nut for screw		C41	1	1			FNZ103			
10	Washer for nut (plain)		C42	1	1			PWZ103			
11	Washer for nut (spring)		C43	1	1			LWZ203			
12	<b>Hose—tank to thermostat housing</b>	<b>AEH482</b>	<b>C44</b>	1	1						
13	Clip for hose	8G632	C45	2	2						Correction. Was 2H3705
14	Bracket for header tank	AEH575	C46	1	1						
15	Screw fixing bracket to exhaust manifold	HZS0506	C47	2	2						
16	Washer for screw (plain)	PWZ105	C48	2	2						
17	Washer for screw (spring)	LWZ205	C49	2	2	24					
18	<b>Case and grille assembly</b>	<b>ARH52</b>		1	1						
19	Case sub-assembly	ARH901	C50	1	1						
20	Nose assembly—false	ARH902	C51	1	1						
21	Speed fix ( $\frac{3}{16}$ "—nose to case	PFS106	C52	2	2						
22	Badge	ARH900	C53	1	1						
23	Washer for badge (plain)	PWZ103	C54	1	1						
24	Washer for badge (spring)	AJD7712	C55	1	1						
25	Nut for badge	FNZ103	C56	1	1						
26	Grille assembly	ARH883	C57	1	1						
27	Stud—grille retaining	ARH898	C58	2	2						
28	Stud—grille lower fixing	ARH899	C59	2	2						
29	Washer for stud	ARH931	C60	2	2						
30	Washer for stud (spring)	LWZ203	C61	4	4						
31	Washer for stud ('D')	ARJ509	C62	8	8						
32	Nut for stud	FNZ103	C63	4	4						
33	Piping—grille (46")	AHH5179	C64	1	1						
34	Screw fixing grille	HPZ0404	C65	6	6						
35	Washer for screw (plain)	PWZ204	C66	6	6						
36	Washer for screw (spring)	LWZ204	C67	6	6	12					



A3065