

A2273A

SERVICE PARTS LIST

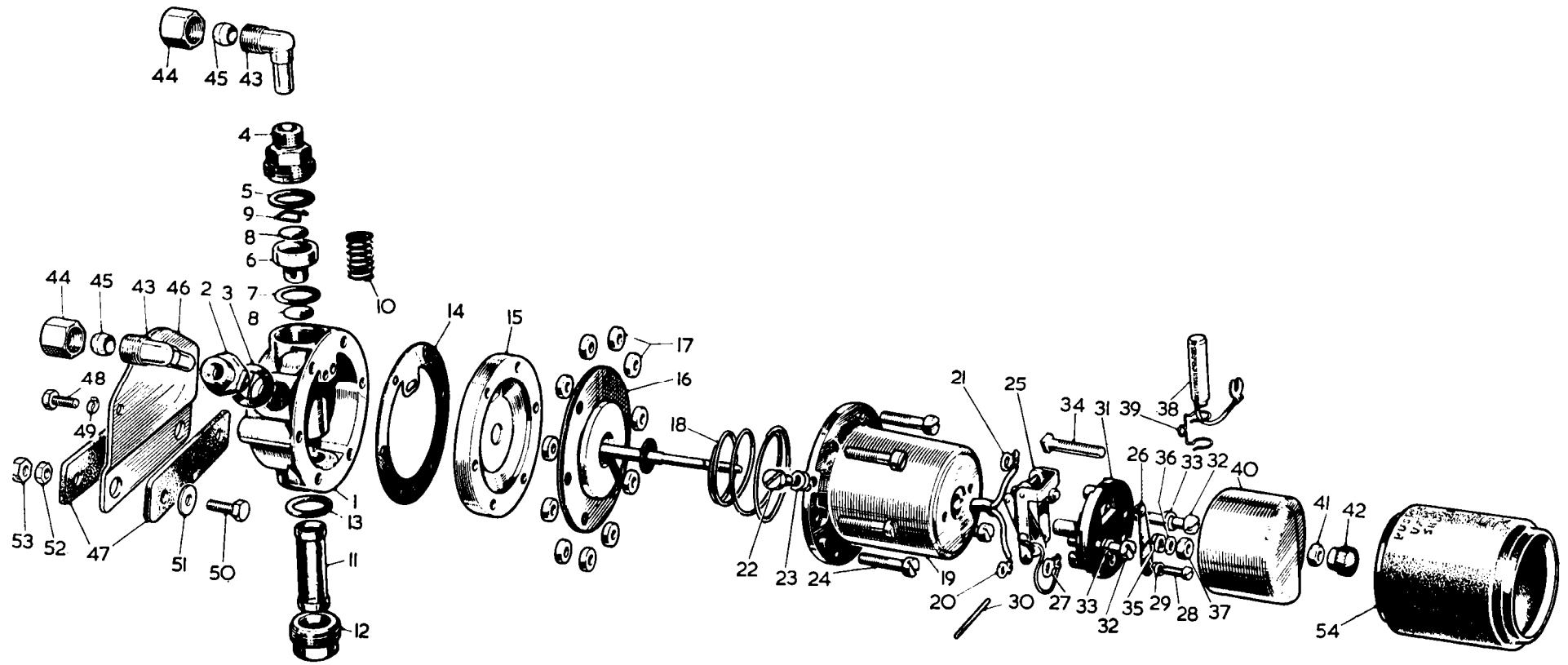
THE MGA 1600

| Item No. | DESCRIPTION | Commencing (C) 68851 | | Quantity | MODIFICATIONS | | REMARKS |
|----------|----------------------------------|----------------------|------------|----------|-----------------|-------------------|---|
| | | Part Number | Illus. No. | | New Part Number | Change Point | |
| | FUEL SYSTEM FUEL PUMP | | | | | | |
| 1 | Pump assembly | AUA54 | | .1 | AUA154 | Com. (C) 100612 | AUA54 not available; use AUA154 |
| 2 | Body | AUA4080 | | 1 | | | |
| 3 | Union—inlet | AUA887 | | 2 | | | |
| 4 | Washer—union to body | AUA1405 | | 3 | | | |
| 5 | Union—outlet | AUA1422 | | 4 | | | |
| 6 | Washer—union to body | AUA1442 | | 5 | | | |
| 7 | Cage—valve | AUA1416 | | 6 | AUA1822 | | AUA1416 not available; use AUA1822 |
| 8 | Washer—cage | AUA1479 | | 7 | | | |
| 9 | Disc—valve | AUA839 | | 8 | | | |
| 10 | Clip—valve cage | AUA840 | | 9 | | | |
| 11 | Spring—valve | AUA508 | | 10 | | | |
| 12 | Filter | AUA1404 | | 11 | | | |
| 13 | Plug—filter | AUA1421 | | 12 | | | |
| 14 | Washer—plug | AUA1442 | | 13 | | | |
| 15 | Joint—body to plate | AUA4082 | | 14 | | | |
| 16 | Plate—body | AUA4081 | | 15 | | | |
| 17 | Diaphragm assembly | AUA6012 | | 1 | AUB6029 | Fin. (C) 100611 | AUA6012 not available; use AUB6029 |
| 18 | Diaphragm assembly | | | 1 | AUB6004 |] Com. (C) 100612 |] Alternatives] Not available; use AUB6071 |
| 19 | Diaphragm assembly | | | 1 | AUB6015 | | |
| 20 | Diaphragm assembly | | | 1 | AUB6071 | | |
| 21 | Joint | | | 1 | AUB706 | | |
| 22 | Diaphragm assembly | | | 1 | AUB6097 | | |
| 23 | Joint | | | 1 | AUB706 | | |
| 24 | Washer—impact—diaphragm | | | 1 | AUA1447 | | For use with diaphragm AUB6015 |
| 25 | Roller | AUA1433 | | 17 | | | |
| 26 | Spring—armature | AUA1785 | | 18 | | | |
| 27 | Spring—armature | AUA875 | | 1 | AUB521 | Com. (C) 100612 | Use with AUA6003 AUA875 not available; use AUB521 with AUA6017 |
| 28 | Housing—coil | AUA6003 | | 1 | | | Not available; use AUA6017 with AUA875 or AUB521 |
| | | | | | AUA6017 | Fin. (C) 13830 | Not available; use 88G235 with AUB6004 or 88G235 with AUB6015 and AUA1447 |
| | | | | | 88G235 | Com. (C) 13831 | Part No. change; was AUB6007 |
| | | | | | AUB6007 | Com. (C) 100612 | |
| 29 | Tag—5 B.A. terminal | AUA1455 | | 20 | | | |
| 30 | Tag—2 B.A. terminal | AUA1456 | | 21 | | | |
| 31 | Screw—earth | AUA4850 | | 22 | AUA699 |] Com. (C) 100612 | |
| 32 | Washer—spring—screw | AUA1863 | | 23 | AUA585 | | |
| 33 | Screw—housing to body | AUA4083 | | 24 | | | |

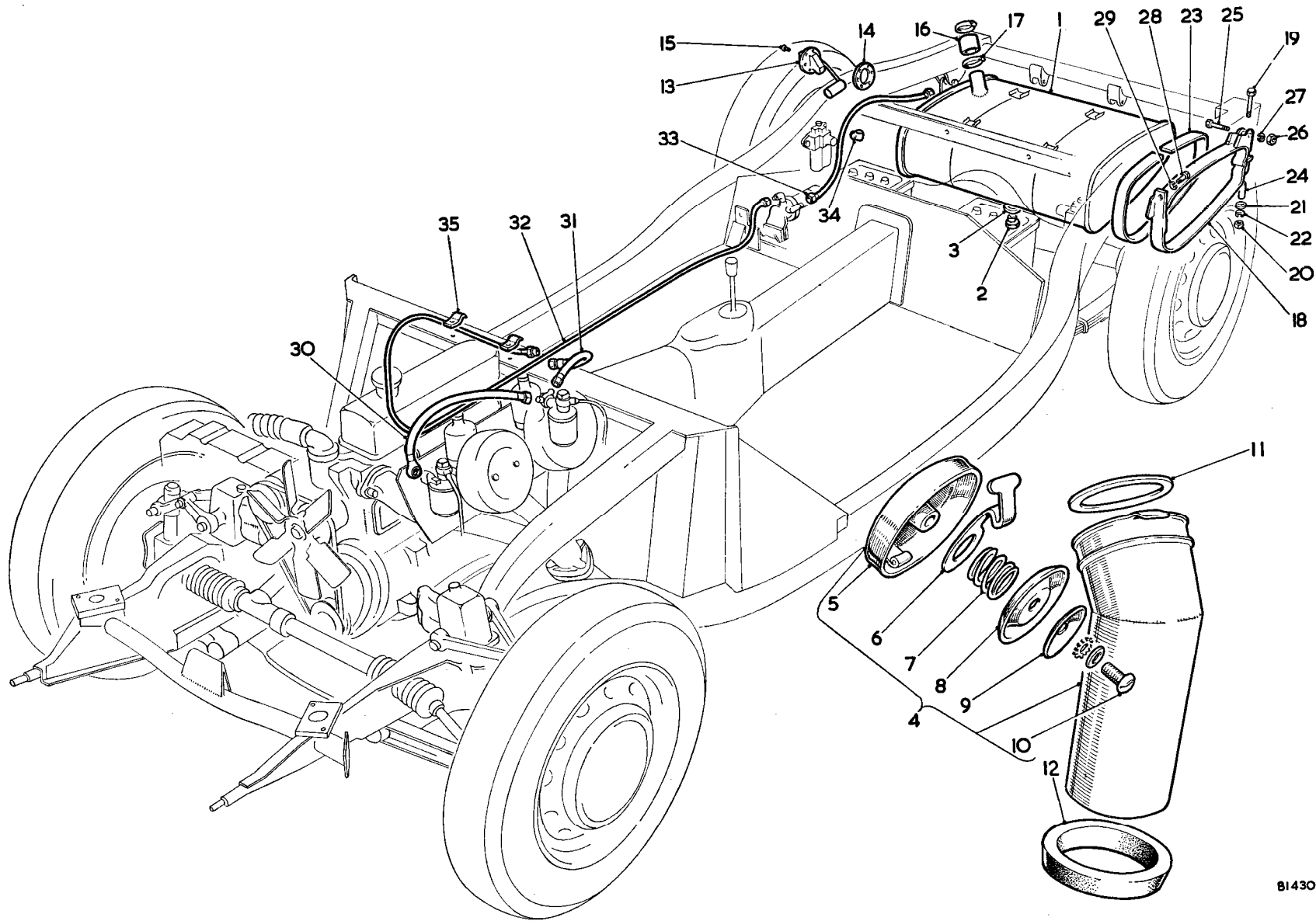
SERVICE PARTS LIST

THE MGA 1600

| Item No. | DESCRIPTION | Commencing (C) 68851 | | Quantity | MODIFICATIONS | | REMARKS | |
|----------|------------------------------|-------------------------|---------------|----------|-----------------------|-----------------|---------------------------------------|--|
| | | Part Number | Illus. No. | | New Part Number | Change Point | | |
| | | | | | | | | |
| | Fuel System—continued | | | | | | | |
| | Fuel Pump—continued | | | | | | | |
| 1 | Rocker and blade | AUA6020 | 25 | 1 | | Fin. (C) 100611 | | |
| 2 | Rocker and blade | | 25 | 1 | AUA6021 |] Alternatives | | |
| 3 | Rocker and blade | | 25 | 1 | AUB6022 | |] Com. (C) 100612 | |
| 4 | Blade | AUA6032 | 26 | 1 | AUA6036 | | | |
| 5 | Tag—2 B.A. terminal | AUA1456 | 27 | 1 | | | | |
| 6 | Screw—blade | AUA847 | 28 | 1 | | | | |
| 7 | Washer—spring—screw | AUA868 | 29 | 1 | | | | |
| 8 | Spindle—contact breaker | AUA1435 | 30 | 1 | | | | |
| 9 | Pedestal | AUB6034 | 31 | 1 | | | | |
| 10 | Screw—pedestal to housing | AUA1459 | 32 | 2 | | | | |
| 11 | Washer—spring—screw | AUA1863 | 33 | 2 | | | | |
| 12 | Screw—terminal | AUA1468 | 34 | 1 | | | | |
| 13 | Washer—spring—screw | AUA1863 | 35 | 1 | | | | |
| 14 | Washer—lead—screw | AUA1662 | 36 | 1 | | | | |
| 15 | Nut—recessed—screw | AUA1661 | 37 | 1 | | | | |
| 16 | Condenser | AUA5060 | 38 | 1 | | | | |
| 17 | Clip—condenser | AUA5059 | 39 | 1 | | | | |
| 18 | Cover—end | AUA5078 | 40 | 1 | | | | |
| 19 | Nut—cover | AUA878 | 41 | 1 | | | | |
| 20 | Knob—terminal | AUA869 | 42 | 1 | | | | |
| 21 | Sleeve—rubber | AUA504 | | 1 | | | | |
| 22 | Elbow—pump | AUA1478 | 43 | 2 | | | | |
| 23 | Nut—elbow | AAA17 | 44 | 2 | | | Part No. change was 2715 | |
| 24 | Olive—elbow | AUA1486 | 45 | 2 | | | Part No. change was 2718 and AAA18 | |
| 25 | Bracket—pump to frame | AAA1477 | 46 | 1 | | | Part No. change was 128355 | |
| 26 | Rubber—bracket | AAA260 | 47 | 2 | | | Part No. change was 53626 | |
| 27 | Screw—pump to bracket | AJD6155Z | 48 | 2 | | | | |
| 28 | Washer—spring—screw | LWZ204 | 49 | 2 | | | | |
| 29 | Bolt—pump mounting | HBZ0409 | 50 | 2 | | | | |
| 30 | Washer—bolt (special) | AJD7212 | 51 | 2 | | | | |
| 31 | Nut—bolt | FNZ104 | 52 | 2 | | | | |
| 32 | Locknut—bolt | FNZ204 | 53 | 2 | | | | |
| 33 | Cover—fuel pump | ACG5147 | 54 | 1 | | Fin. (C) 93225 | | |



A2 273A



81430

SERVICE PARTS LIST

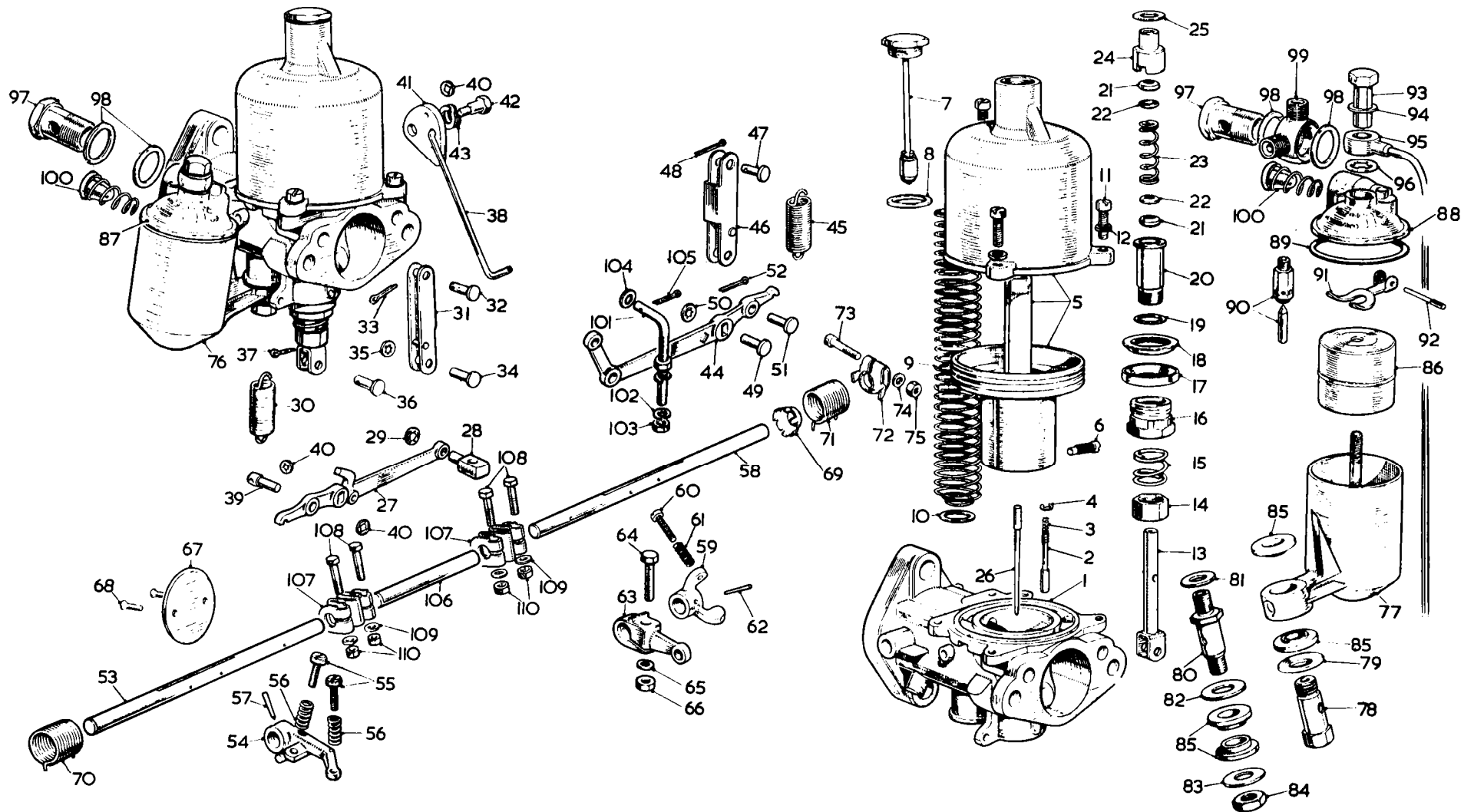
THE MGA 1600

| Item No. | DESCRIPTION | Commencing (C) 68851 | | Quantity | MODIFICATIONS | | REMARKS |
|----------|---|-------------------------|---------------|----------|-----------------------|--------------|--------------------------------------|
| | | Part Number | Illus. No. | | New Part Number | Change Point | |
| | FUEL TANK | | | | | | |
| 1 | Tank—fuel | AHH5121 | 1 | 1 | | | |
| 2 | Plug | AHH5605 | 2 | 1 | | | |
| 3 | Joint—plug | AHH5606 | 3 | 1 | | | |
| 4 | Extension—filler | AHH5104 | 4 | 1 | | | |
| 5 | Cap—filler | ACH5781 | 5 | 1 | | | |
| 6 | Lever—filler cap | 97H474 | 6 | 1 | | | |
| 7 | Spring—release | 97H2048 | 7 | 1 | | | |
| 8 | Plate—sealing | 97H2049 | 8 | 1 | | | |
| 9 | Washer—dished | 97H2050 | 9 | 1 | | | |
| 10 | Screw—cap to filler | 97H2056 | 10 | 1 | | | |
| 11 | Ring—sealing | ACH5850 | 11 | 1 | | | |
| 12 | Ferrule—filler extension (rubber) | ACH5780 | 12 | 1 | | | |
| 13 | Unit attachment—tank | AHH5114 | 13 | 1 | | | |
| 14 | Gasket—tank attachment (cork) | 2H1082 | 14 | 1 | | | Part No. change was ACB5468 |
| 15 | Screw—tank unit to tank | ACA5127 | 15 | 6 | ARG923 | | ACA5127 not available; use ARG923 |
| 16 | Hose—filler connection | AHH5286 | 16 | 1 | | | |
| 17 | Clip—hose | 95482 | 17 | 2 | HCS1022 | | 95482 not available; use HCS1022 |
| 18 | Strap and mounting assembly | AHH5107 | 18 | 2 | | | |
| 19 | Bolt | HBZ0422 | 19 | 2 | | | |
| 20 | Nut | LNZ104 | 20 | 2 | | | |
| 21 | Washer—plain | PWZ104 | 21 | 2 | | | |
| 22 | Washer—spring | LWZ204 | 22 | 2 | | | |
| 23 | Strap—packing—tank mounting (100") | AHH5115 | 23 | 1 | | | |
| 24 | Distance piece—rear mounting | AHH5113 | 24 | 2 | | | |
| 25 | Bolt—rear mounting | HBZ0416 | 25 | 2 | | | |
| 26 | Nut—bolt | FNZ104 | 26 | 2 | | | |
| 27 | Washer—spring—screw | LWZ204 | 27 | 2 | | | |
| 28 | Screw—front mounting | HZS0505 | 28 | 2 | | | |
| 29 | Washer—spring—screw | LWZ205 | 29 | 2 | | | |
| | FUEL PIPES | | | | | | |
| 30 | Pipe—between carburetors (flexible) | ACH8977 | 30 | 1 | | | |
| 31 | Pipe—main pipe to carburetor (flexible) | AHH5544 | 31 | 1 | | | |
| 32 | Pipe assembly—fuel pump to carburetor | AHH5288 | 32 | 1 | | | Part No. change was AHH5280 |
| 33 | Pipe assembly—tank to fuel pump | AHH5290 | 33 | 1 | | | Part No. change was AHH5291 |
| 34 | Clip—pipe to rear shock absorber bolt | AAA801 | 34 | 1 | | | Part No. change was 54516 |
| 35 | Clip—fuel pipe to bulkhead | CHR0511 | 35 | 2 | PCR0511 | | Always supply PCR0511 |

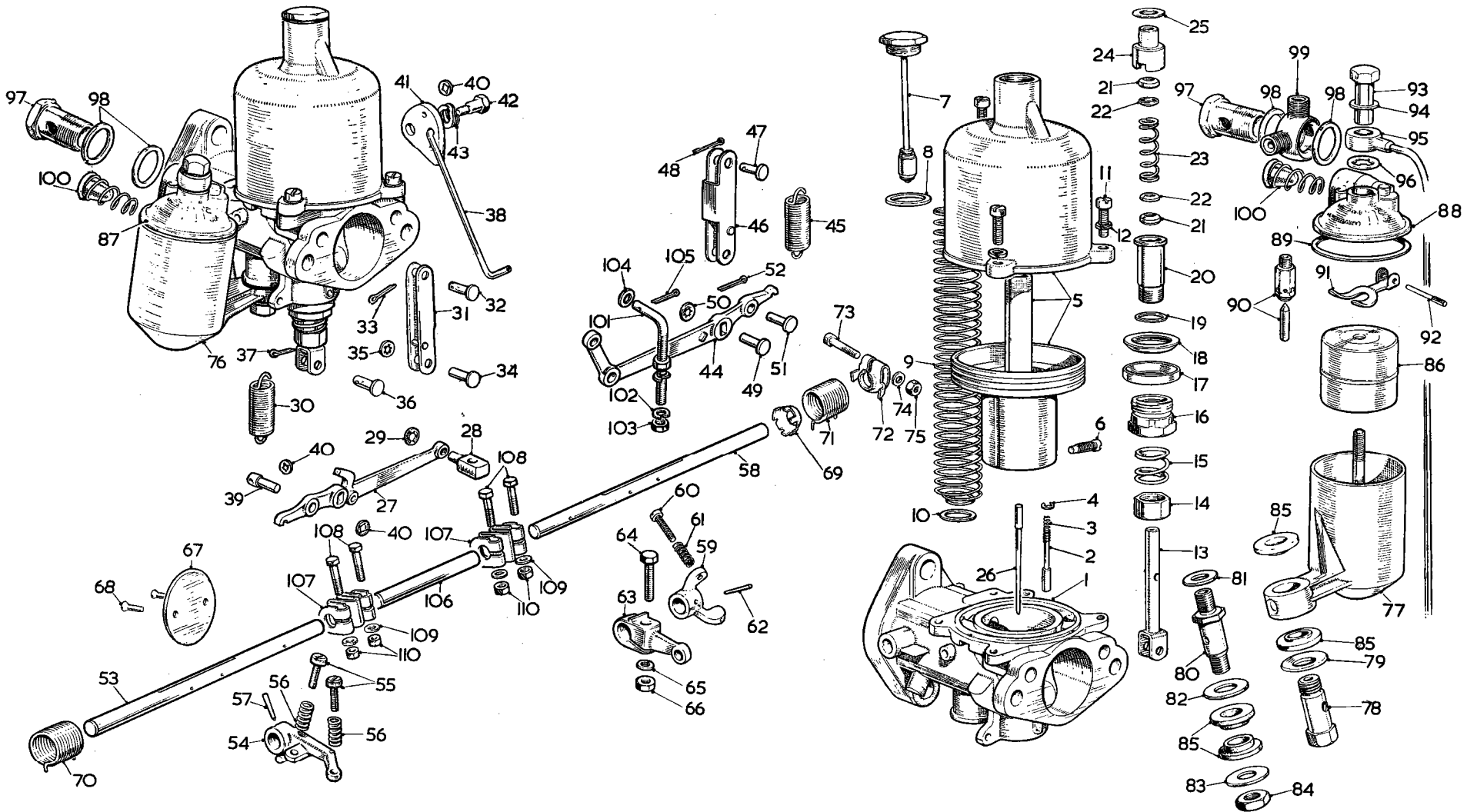
SERVICE PARTS LIST

THE MGA 1600

| Item No. | DESCRIPTION | Commencing (E) 16GA/H101 | | Quantity | MODIFICATIONS | | REMARKS |
|----------|------------------------------|--------------------------|------------|----------|-----------------|--------------------------|---|
| | | Part Number | Illus. No. | | New Part Number | Change Point | |
| | CARBURETTER | | | | | | |
| 1 | Carburetter installation | AUC943 | | 1 pair | | | |
| 2 | Carburetter assembly—front | AUC9066 | | 1 | | | |
| 3 | Carburetter assembly—rear | AUC9067 | | 1 | | | |
| 4 | Body—front carburetter | AUD9045 | | 1 | | | Part No. change; was AUC6031 |
| 5 | Body—rear carburetter | AUC6033 | 1 | 1 | | | |
| 6 | Pin—piston lifting | AUC1249 | 2 | 2 | | | |
| 7 | Spring—pin | AUC1151 | 3 | 2 | | | |
| 8 | Circlip—pin | AUC1250 | 4 | 2 | | | |
| 9 | Chamber and piston assembly | AUC8052 | 5 | 2 | | | |
| 10 | Screw—needle locking | AUC2057 | 6 | 2 | | | |
| 11 | Cap and damper assembly | AUC8114 | 7 | 2 | | | |
| 12 | Washer—fibre—cap | AUC4900 | 8 | 2 | | | |
| 13 | Spring—red—piston | AUC4387 | 9 | 2 | | | |
| 14 | Washer—plain—spring | AUC3071 | 10 | 2 | | | |
| 15 | Screw—chamber to body | AUC2175 | 11 | 6 | | | |
| 16 | Washer—spring—screw | LWZ303 | 12 | 6 | | | Part No. change; was AUC2246 |
| 17 | Jet assembly | AUC8182 | 13 | 2 | | | |
| 18 | Nut—adjusting | AUC2121 | 14 | 2 | | | |
| 19 | Spring—adjusting nut | AUC2114 | 15 | 2 | | | |
| 20 | Nut—gland sealing | AUC3232 | 16 | 2 | | | |
| 21 | Ring—sealing—aluminium | AUC2117 | 17 | 2 | | | |
| 22 | Ring—sealing—cork | AUC2118 | 18 | 2 | | | |
| 23 | Washer—bottom bearing—copper | AUC3233 | 19 | 2 | | | |
| 24 | Bearing—bottom | AUC3231 | 20 | 2 | | | |
| 25 | Washer—gland—cork | AUC2120 | 21 | 4 | | | |
| 26 | Washer—gland—brass | AUC2119 | 22 | 4 | | | |
| 27 | Spring—gland | AUC1158 | 23 | 2 | | | |
| 28 | Bearing—top | AUC3230 | 24 | 2 | | | |
| 29 | Washer—top bearing—copper | AUC2122 | 25 | 2 | | | |
| 30 | Needle—No. 6—standard—jet | AUD1005 | 26 | 2 | | | |
| 31 | Needle—RO—rich—jet | AUD1295 | | 2 | | | |
| 32 | Needle—AO—weak—jet | AUD1045 | | 2 | | | |
| 33 | Lever—jet—front carburetter | AUC5091 | 27 | 1 | | | |
| 34 | Trunnion—lever | AUC4196 | 28 | 1 | | | |
| 35 | Washer—starlock—trunnion | AUC5004 | 29 | 1 | | | |
| 36 | Spring—jet lever return | AUC4667 | 30 | 1 | | | |
| 37 | Link assembly—jet lever | AUC373 | 31 | 1 | | | Part No. change; was AUCH819 |
| 38 | Pin—link to body | AUC2381 | 32 | 1 | | | |
| 39 | Split pin—pin | CPS0204 | 33 | 1 | | | Part No. change; was AUC2109 |
| 40 | Pin—link to lever | AUC2381 | 34 | 1 | AUC5009 |] Com. (E) not available | |
| 41 | Washer—starlock—pin | | 35 | 1 | AUC5004 | | |
| 42 | Pin—lever to jet | AUC2381 | 36 | 1 | | | |
| 43 | Split pin—pin | CPS0204 | 36 | 2/1 | | | Quantity reduced at (E) not available. Part No. change; was AUC2109 |



A3208A



A3208A

SERVICE PARTS LIST

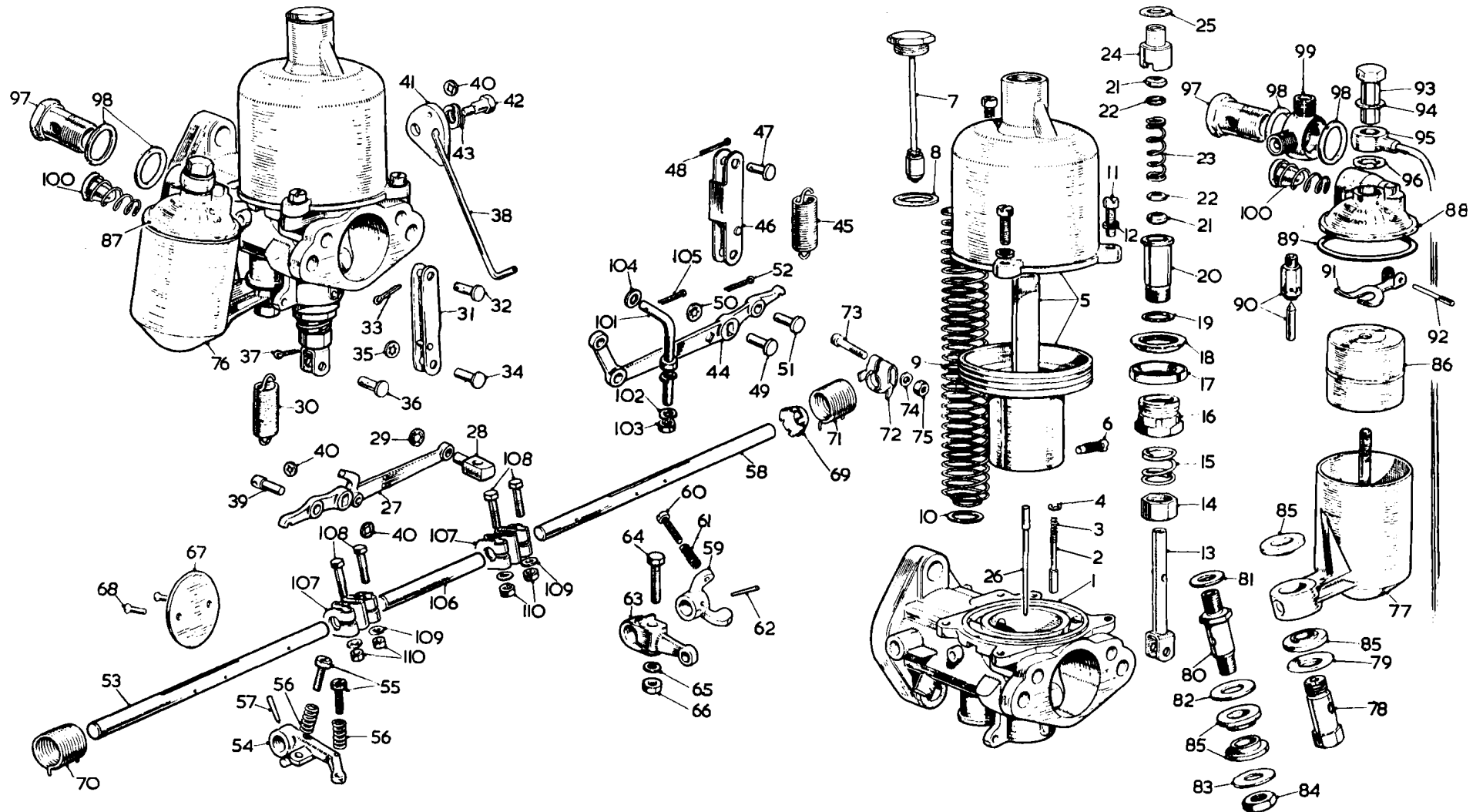
THE MGA 1600

| Item No. | DESCRIPTION | Commencing (E) 16GA/H101 | | Quantity | MODIFICATIONS | | REMARKS |
|----------|--|--------------------------|------------|----------|-----------------|--------------------------|---|
| | | Part Number | Illus. No. | | New Part Number | Change Point | |
| | | | | | | | |
| | Carburetter—continued | | | | | | |
| 1 | Link—tension | AUC4732 | 38 | 1 | | | |
| 2 | Swivel pin—link to lever | AUC5011 | 39 | 1 | | | |
| 3 | Washer—starlock—link and swivel pin | AUC5002 | 40 | 3 | | | |
| 4 | Cam plate | AUC4730 | 41 | 1 | | | |
| 5 | Bolt—pivot—cam plate | AUC8471 | 42 | 1 | | | |
| 6 | Washer—spring—bolt | AUC3472 | 43 | 1 | | | |
| 7 | Lever—jet—rear carburetter | AUC5092 | 44 | 1 | | | |
| 8 | Spring—jet lever return | AUC4667 | 45 | 1 | | | |
| 9 | Link assembly—jet lever | AUC4819 | 46 | 1 | | | |
| 10 | Pin—link to body | AUC2381 | 47 | 1 | | | |
| 11 | Split pin—pin | AUC2109 | 48 | 1 | | | |
| 12 | Pin—link to lever | AUC2381 | 49 | 1 | AUC5009 |] Com. (E) not available | |
| 13 | Washer—starlock—pin | | 50 | 1 | AUC5004 | | |
| 14 | Pin—lever to jet | AUC3281 | 51 | 1 | | | |
| 15 | Split pin—pin | CPS0204 | 52 | 2/1 | | | Quantity reduced at (E) not available; Part No. change; was AUC2109 |
| 16 | Spindle throttle front carburetter | AUC3242 | 53 | 1 | | | |
| 17 | Lever—stop—throttle | AUC4712 | 54 | 1 | | | |
| 18 | Screw—stop adjusting | AUC2521 | 55 | 2 | | | |
| 19 | Spring—screw | AUC2451 | 56 | 2 | | | |
| 20 | Pin—throttle stop lever | AUC2106 | 57 | 1 | | | |
| 21 | Spindle—throttle rear carburetter | AUC3242 | 59 | 1 | | | |
| 22 | Lever—stop—throttle | AUC2198 | 59 | 1 | | | |
| 23 | Screw—stop adjusting | AUC2521 | 60 | 1 | | | |
| 24 | Spring—screw | AUC2451 | 61 | 1 | | | |
| 25 | Pin—throttle stop lever | AUC2106 | 62 | 1 | | | |
| 26 | Lever—throttle | AUC1501 | 63 | 1 | | | |
| 27 | Bolt—lever | AJD1042 | 64 | 1 | | | |
| 28 | Washer—spring bolt | LWZ303 | 65 | 1 | | | Part No. change; was AUC2694 |
| 29 | Nut—bolt | AUC2156 | 66 | 1 | | | Part No. change; was AUC2246 |
| 30 | Disc—throttle | AUC3116 | 67 | 2 | | | |
| 31 | Screw—disc | AUC1358 | 68 | 4 | | | |
| 32 | Plate—return spring anchor | AUC4770 | 69 | 2 | | | |
| 33 | Spring—throttle return—front carburetter | AUC4781 | 70 | 1 | | | |
| 34 | Spring—throttle return—rear carburetter | AUC4782 | 71 | 1 | | | |
| 35 | Clip—return spring | AUC4771 | 72 | 2 | | | |
| 36 | Bolt—clip | AUC2669 | 73 | 2 | | | |
| 37 | Washer—plain—bolt | AUC4612 | 74 | 2 | | | |
| 38 | Nut—bolt | AJD8014Z | 75 | 2 | | | Part No. change; was AUC2673 |
| 39 | Chamber—float—front carburetter | AUC3496 | 76 | 1 | | | |
| 40 | Chamber—float—rear carburetter | AUC3495 | 77 | 1 | | | |
| 41 | Bolt—chamber to body | AUC1335 | 78 | 2 | |] Fin. (E) not available | |
| 42 | Washer—fibre—bolt | AUC2180 | 79 | 2 | | | |

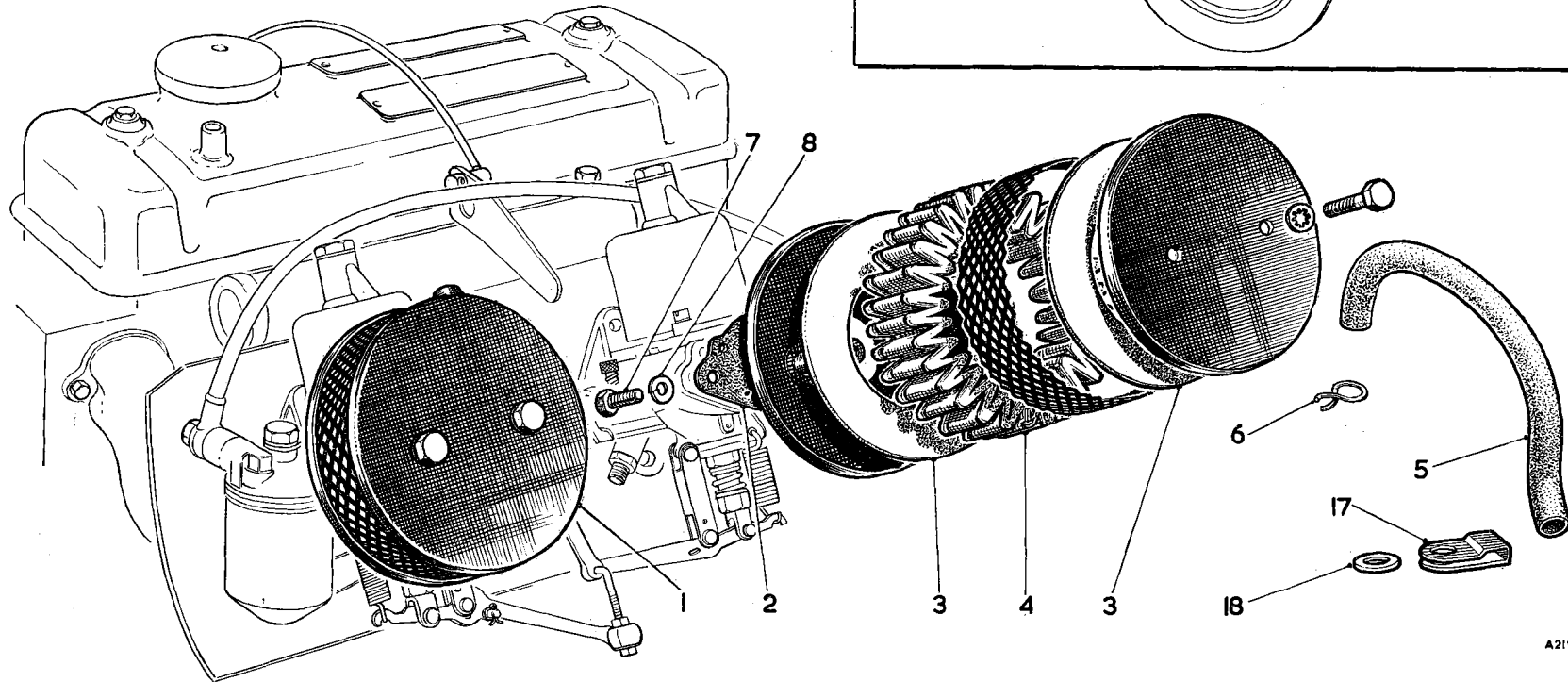
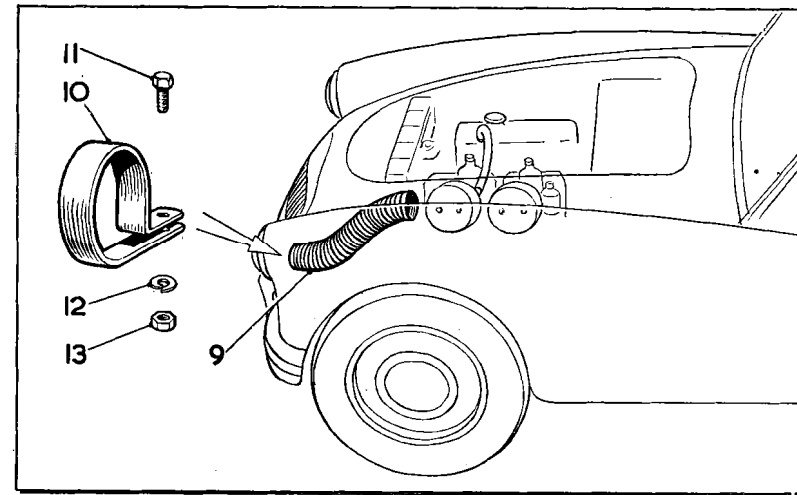
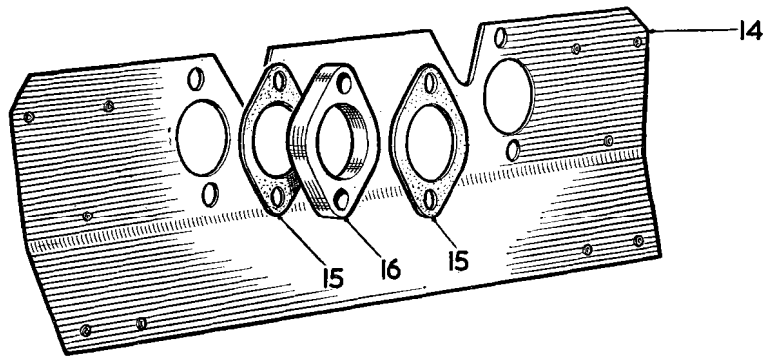
SERVICE PARTS LIST

THE MGA 1600

| Item No. | DESCRIPTION | Commencing (E) 16GA/H101 | | Quantity | MODIFICATIONS | | REMARKS |
|----------|---|-----------------------------|---------------|----------|-----------------------|--------------------------|---|
| | | Part Number | Illus. No. | | New Part Number | Change Point | |
| | | | | | | | |
| | Carburetter—continued | | | | | | |
| 1 | Pillar—banjo | | 80 | 2 | AUC1387 |] Com. (E) not available | |
| 2 | Washer—pillar | | 81 | 2 | AUC1384 | | |
| 3 | Washer—inner | | 82 | 2 | AUC1389 | | |
| 4 | Washer—outer | | 83 | 2 | AUC1388 | | |
| 5 | Nut—lock | | 84 | 2 | AJD8296Z | | |
| 6 | Grommet—rubber | AUC1534 | 85 | 4 | | | |
| 7 | Float | AUC1123 | 86 | 2 | | | |
| 8 | Lid—float chamber—front carburetter | AUC4261 | 87 | 1 | AUD2284 | | AUC 4261 not available; use AUD2284 together with 1 off AUD2285 lever |
| 9 | Lid—float chamber—rear carburetter | AUC4260 | 88 | 1 | | | |
| 10 | Washer—lid | AUC1147 | 89 | 2 | | | |
| 11 | Needle and seat assembly | AUC8170 | 90 | 2 | | | |
| 12 | Lever—hinged | AUC1980 | 91 | 2 | | | |
| 13 | Lever—hinged | | | 1 | AUD2285 | | For use with AUC4260/1 LID For use with AUD2284 LID |
| 14 | Pin—hinged lever | AUC1152 | 92 | 2 | | | |
| 15 | Cap nut—lid | AUC1867 | 93 | 2 | | | |
| 16 | Washer—aluminium—nut | AUC1557 | 94 | 2 | | | |
| 17 | Banjo vent and drain pipe | AUC3202 | 95 | 2 | | | |
| 18 | Washer—fibre | AUC1928 | 96 | 2 | | | |
| 19 | Bolt—banjo | AUC2698 | 97 | 2 | | | |
| 20 | Washer—fibre—bolt | AUC2141 | 98 | 4 | | | |
| 21 | Union—banjo—double—rear carburetter | AUC1832 | 90 | 1 | | | |
| 22 | Filter | AUC2139 | 100 | 2 | | | |
| 23 | Rod—link | AUC4915 | 101 | 1 | | | |
| 24 | Washer—spring—rod | AUC1863 | 102 | 2 | | | |
| 25 | Nut—rod | AJD8012Z | 103 | 2 | | | Part No. change; was AUC2156 |
| 26 | Washer—brass | AUC1006 | 104 | 1 | | | |
| 27 | Split pin—rod | CPS0204 | 105 | 1 | | | Part No. change; was AUC2109 |
| 28 | Rod—throttle connecting | AUC2402 | 106 | 1 | | | |
| 29 | Coupling—rod | AUC4334 | 107 | 2 | | | |
| 30 | Bolt—coupling | AUC2669 | 108 | 4 | | | |
| 31 | Washer—bolt | AUC4612 | 109 | 4 | | | |
| 32 | Nut—bolt | AJD8014Z | 110 | 4 | | | Part No. change; was AUC2673 |



A3208A



A2197B

SERVICE PARTS LIST

THE MGA 1600

| Item No. | DESCRIPTION | Commencing (C) 68851 | | Quantity | MODIFICATIONS | | REMARKS |
|----------|-------------------------------------|-------------------------|---------------|----------|-----------------------|--------------|---------|
| | | Part Number | Illus. No. | | New Part Number | Change Point | |
| | AIR CLEANER | | | | | | |
| 1 | Cleaner—air (front) | AHH5147 | 1 | 1 | | | |
| 2 | Cleaner—air (rear) | AHH5148 | | 1 | | | |
| 3 | Joint—air cleaner | ACG5184 | 2 | 2 | | | |
| 4 | Pad—insert | AHH5441 | 3 | 4 | | | |
| 5 | Element | AHH5442 | 4 | 2 | | | |
| 6 | Pipe—air cleaner (rubber) | AHH5149 | 5 | 1 | | | |
| 7 | Clip—pipe | ACA5290 | 6 | 2 | | | |
| 8 | Screw—cleaner to carburetter | HZS0506 | 7 | 4 | | | |
| 9 | Washer—spring—screw | LWZ205 | 8 | 4 | | | |
| | AIR INTAKE HOSE | | | | | | |
| 10 | Hose—carburetter cooling air intake | AHH5394 | 9 | 1 | | | |
| 11 | Clip—air intake hose | AHH5714 | 10 | 1 | | | |
| 12 | Screw—hose clip to radiator duct | PMZ0316 | 11 | 1 | | | |
| 13 | Washer—spring screw | LWZ203 | 12 | 1 | | | |
| 14 | Nut—screw | FNZ103 | 13 | 1 | | | |
| | HEAT SHIELD | | | | | | |
| 15 | Shield—heat | AHH15533 | 14 | 1 | | | |
| 16 | Joint—heat shield and carburetters | AHH1551 | 15 | 6 | | | |
| 17 | Washer—carburetter insulating | AHH15713 | 16 | 2 | | | |
| 18 | Clip—carburetter drain pipe | AHH1550 | 17 | 1 | | | |
| 19 | Washer—clip | PWZ104 | 18 | 1 | | | |