

The



SERIES MGA

1600

SERVICE PARTS LIST



AKD 1215
FIFTH EDITION



MGA 1600

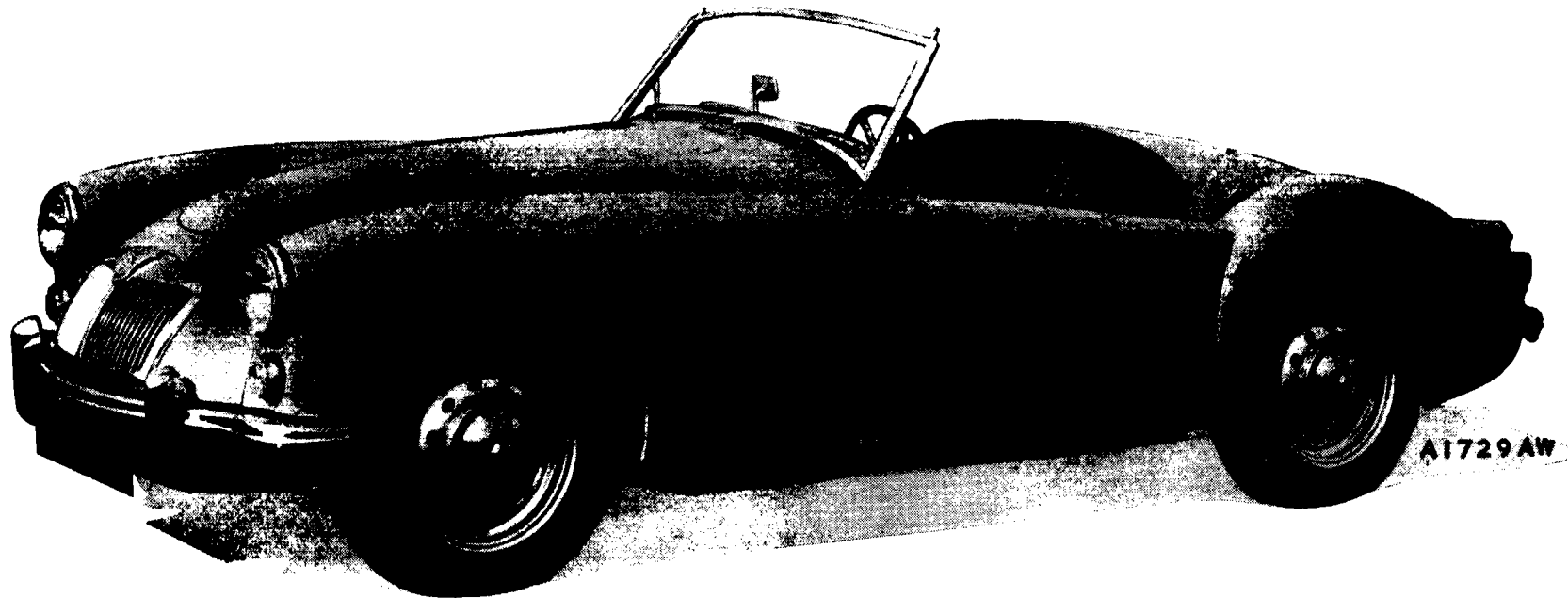
S E R V I C E P A R T S L I S T



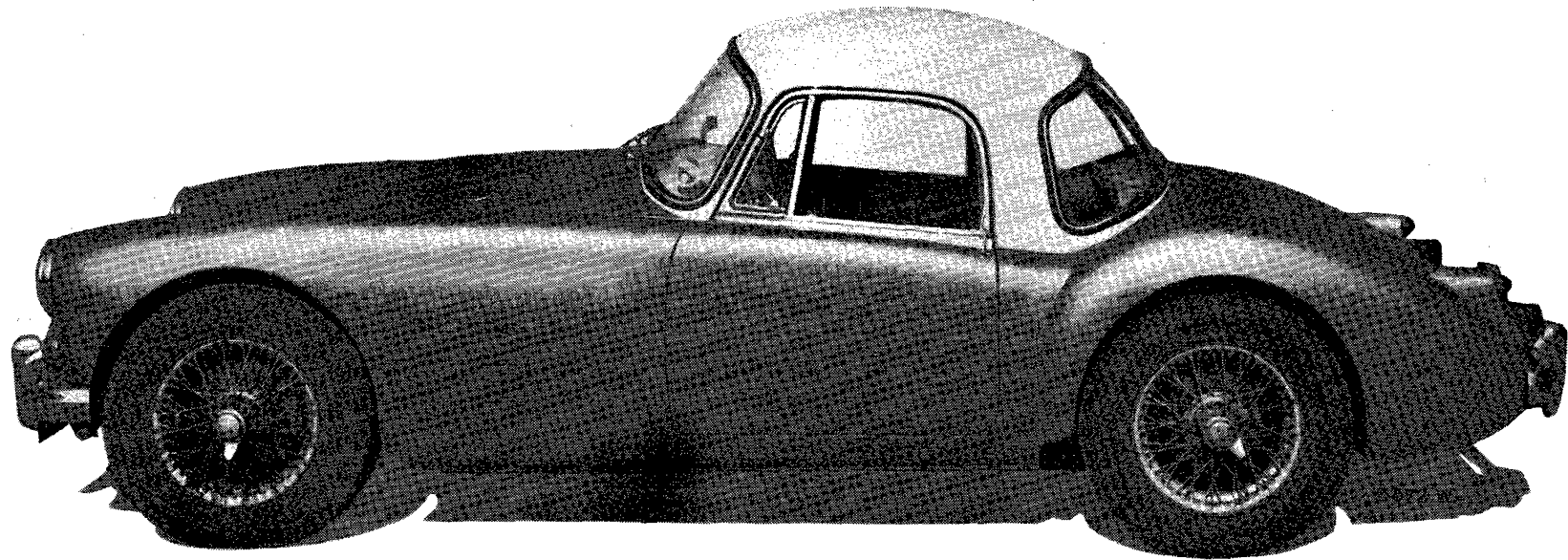
- A plastic binder (Part No. AKD1579) is available for this Parts List.
- This list embodies Parts List Amendments up to and including PMG/8/3.

BMC SERVICE LIMITED
COWLEY · OXFORD · ENGLAND

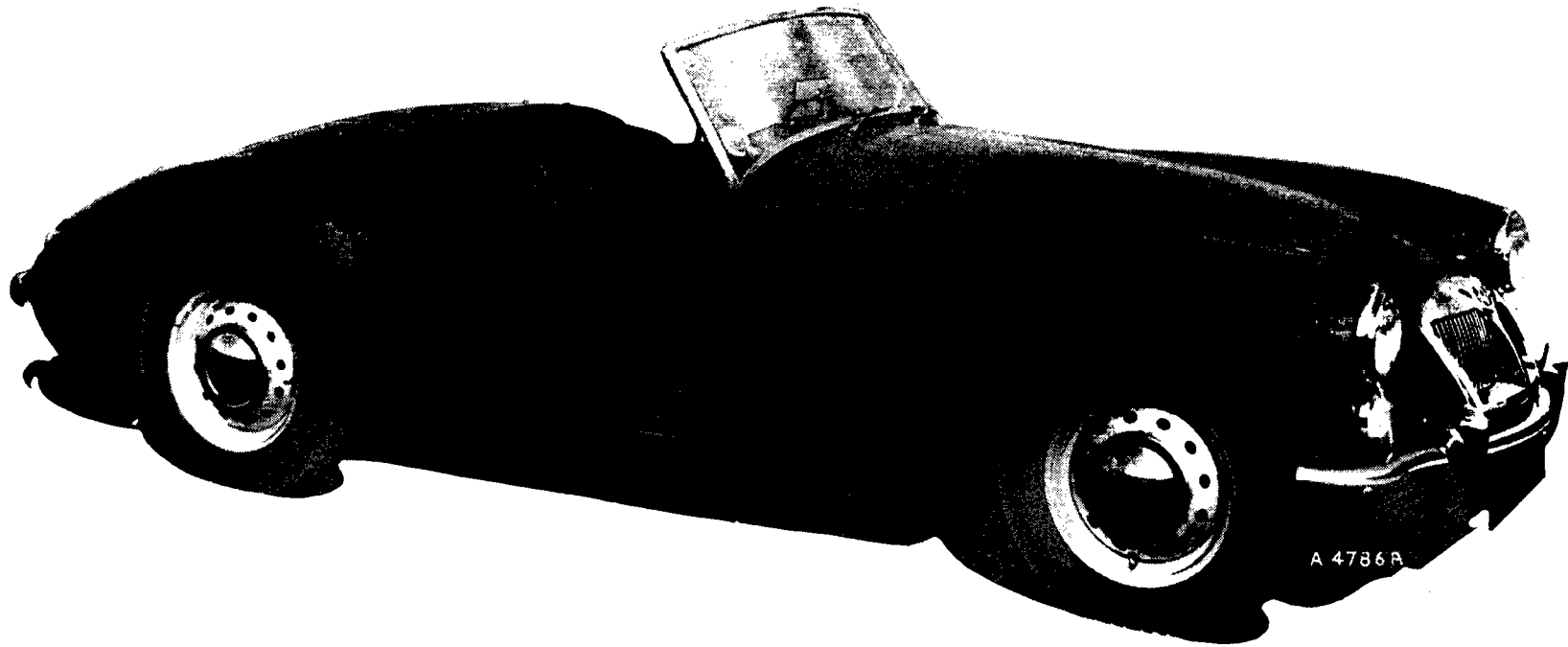
Telephone - - - - - Oxford 77777
Telex - - - - - BMC Serv. Oxford 83145 and 83146
Telegrams - - - - - BMC Serv. Telex, Oxford
Cables - - - - - BMC Serv. Telex, Oxford, England
Codes - - - - - Bentley's, Bentley's Second Phrase, A.B.C.
(5th and 6th Editions), Western Union and Private



THE MGA 1600—TOURER



THE MGA 1600—COUPÉ



THE MGA 1600 MARK II--TOURER

MODEL	Commencing		Finishing	
	Car Number	Engine Number	Car Number	Engine Number
'MGA 1600' TOURER } 'MGA 1600' COUPÉ }	68851	16GA—U—H101	100351	16GA—U—H31660
'MGA 1600' (Mark II) TOURER } 'MGA 1600' (Mark II) COUPÉ }	100352	16GC—U—H101	109070	16GC—U—H8851

ENGINE NUMBER PREFIX CODING

The engine number prefix comprises a series of letters and numbers, presenting in code the cubic capacity and make, the ancillaries fitted, and the type of compression.

1st PREFIX GROUP—Cubic capacity, make, and type

1st Prefix number: 16=1600 c.c.
 1st Prefix letter: G=MG
 2nd Prefix letter: A—Variation of engine type

2nd PREFIX GROUP—Gearbox and ancillaries

U=Centre gear change

3rd GROUP—Compression and serial number

H=High compression } and serial number of unit
 L=Low compression }

CODE EXAMPLE

16GA / U / H 101

Serial Number
 High Compression
 Centre Gear Change
 1600 c.c.

CAR NUMBER PREFIX CODING

The car number prefix comprises a series of letters and numbers, presenting in code the make, the engine cubic capacity, the body type, the series, and, where applicable, left-hand drive.

<p>1st PREFIX LETTER—NAME</p> <p>G=MG</p>	<p>2nd PREFIX LETTER—Model (cubic capacity)</p> <p>H=1400—1999 c.c.</p>
--	--

3rd PREFIX LETTER—Bold type

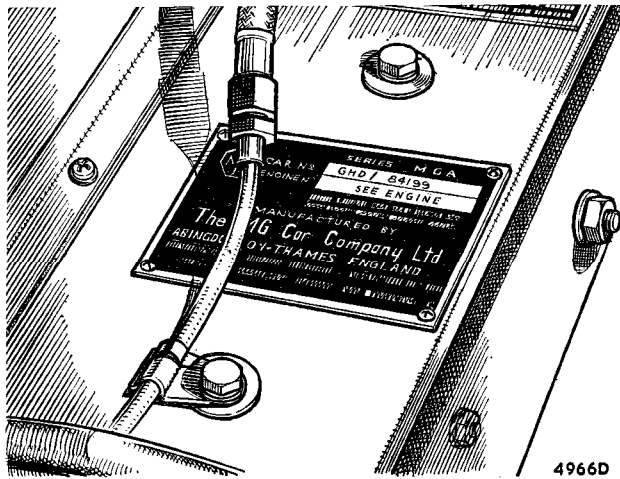
D=Coupé
 N=2-Seater Tourer

<p>4th PREFIX—Series of model</p>	<p>5th PREFIX (used to denote car is different to standard right-hand-drive)</p> <p>L=Left-hand-drive</p>
--	--

CODE EXAMPLE

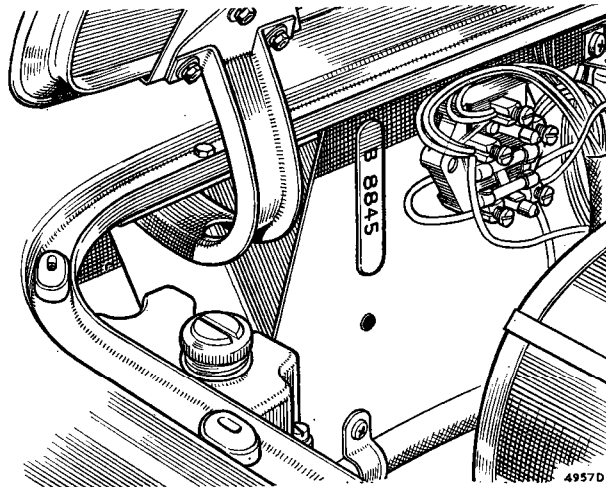
G — H N — 68851

Serial Number
 1st Series
 2-Seater Tourer
 1400—1999 c.c.
 MG



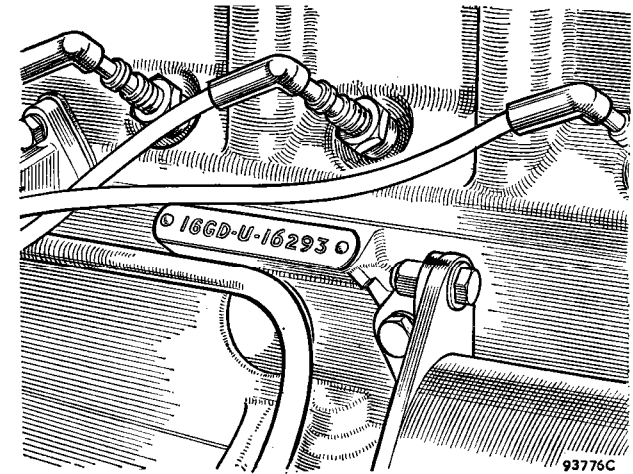
4966D

The car number is stamped on a plate secured to the top left-hand side of the dash panel.



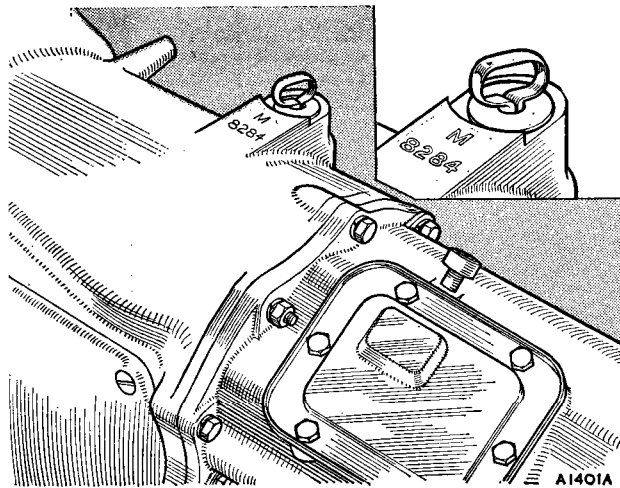
4957D

The body number is stamped on a plate secured to the bulkhead between the right-hand bonnet hinge and the fuse block.



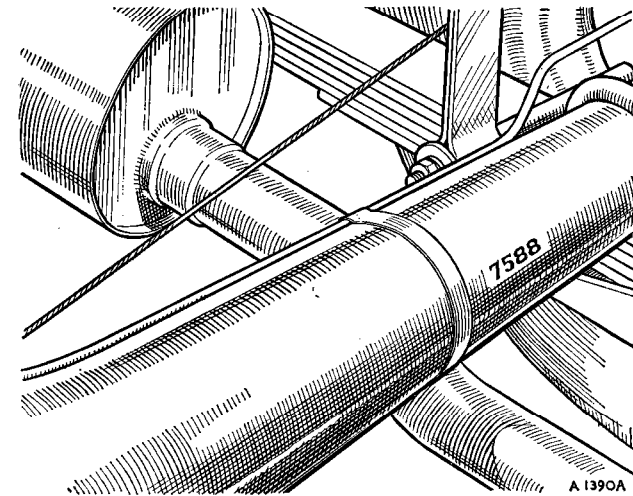
93776C

The engine number is stamped on a plate secured to the right-hand side of the cylinder block.



A1401A

The gearbox number is stamped on the top of the gearbox casing adjacent to the dipstick.



A 1390A

The rear axle number is stamped on the front of the axle tube on the left-hand side adjacent to the spring seat.

● EXPLANATORY

● It will be noted that the items comprising an assembly (or sub-assembly) are offset for easy reference.

Example	12 Gear assembly—idler	2A6198
	13 Body	2A6199
	14 Seal	2A6201
	15 Washer for seal	2A6186
	16 Shaft	2A6187

● Where a modification to a part has taken place, or a new part issued replacing an original part, this is indicated by the inclusion of the new part number in the Modifications column.

● Abbreviations used:

<p>A Ambulance C Chassis D Coupé E G.P.O. Engineers G G.P.O. Mail H Hearse J Convertible K Truck L Hire Car M Limousine N 2-Seater Tourer P Hard Top Q Chassis and Cab R Chassis and Scuttle S 4-door Saloon 2S 2-door Saloon T 4-seater Tourer</p>	<p>U Pick-up V Van W Dual-purpose (wood-framing) Ws Dual-purpose (all-metal) X Taxi UK Gt. Britain and Northern Ireland Not UK Not Gt. Britain and Northern Ireland RHD Right-hand drive LHD Left-hand drive RH Right-hand LH Left-hand HC High compression LC Low compression RHT Right-hand thread LHT Left-hand thread O/S Oversize U/S Undersize</p>	<p>OD Outside diameter ID Inside diameter A/R As required Com. Commenced Fin. Finished No. Number NSP Non-serviceable part (B) Body number (C) Car number (D) De-luxe (E) Engine number (G) Gearbox number (S) Super de-luxe (CB) Cab number (OD) Overdrive number (RA) Rear axle number</p>
--	---	---

IMPORTANT TO OWNERS

BMC SERVICE PARTS

All Authorized BMC Distributors and Dealers are under contract to supply only genuine BMC Parts.

Look for
this sign
or label



Replacement parts that are not of genuine BMC manufacture cannot be relied upon to be of BMC specification, material, and workmanship, and therefore BMC cannot be expected to extend their Warranty to vehicles which have been fitted with parts not of their manufacture.

A comprehensive range of EXCHANGE UNITS is available. Ask your Distributor or Dealer for full details.

In order to ensure prompt and correct execution of your orders it is essential to:

STATE THE CAR, BODY, ENGINE NUMBERS, ETC., COMPLETE WITH PREFIXES AND SUFFIXES.

GIVE THE PART NUMBER AND DESCRIPTION (PREFIX LETTERS TO PART NUMBERS MUST ALWAYS BE QUOTED).

Description	Page	Plate	Description	Page	Plate		
Cylinder block assembly and front engine mounting plate	A.1, A.2	A	Rear brakes (all round disc brakes)	H.8, H.9	HC		
Connecting rod and bearings—crankshaft and camshaft—flywheel—tappets and push-rods—crankshaft pulley			A.3, A.4	AA	Rear springs	H.10	HD
Cylinder head—valves—guides—springs—rockers—sparking plugs—water outlet elbow—thermostat—valve rocker cover—oil filler			A.5, A.6	AB	Steering—adjustable steering column	J.1—J.4	J
Cylinder, front and side covers—tachometer drive—gearbox mounting plate			A.7	AC	Front axle and suspension—anti-roll bar—brakes (standard model)	K.1—K.5	K, KA
Oil pump—strainer—release valve—oil reservoir—dipper rod—oil filter and pipe			A.8, A.9	AD	Front axle and suspension—anti-roll bar—brakes (all round disc brakes)	K.6—K.9	KB, KC
Water pump and pulley—dynamo and distributor mounting—fan and fan belt—blanking sleeve—cylinder liner			A.11, A.13	AE	Shock absorbers	L.1	L
Engine service kits			A.14	—	Brake controls (standard model)	M.1	M
Inlet and exhaust manifold			A.15	AF	Brake controls (all round disc brakes)	M.2	MA
Engine mountings			A.16	AG	Brake and clutch master cylinder (standard model)	M.3	MB
Exhaust system			A.17	AH	Brake master cylinder (all round disc brakes)	M.4	MC
Engine controls—starter controls	A.18, A.20	AJ	Hydraulic pipes and fittings (standard model)	M.5	MD		
Cylinder block assembly and front engine mounting plate	A.21, A.23	AK	Hydraulic pipes and fittings (all round disc brakes)	M.6	ME		
Connecting rod and bearings—crankshaft and camshaft—flywheel—tappets and push-rods—crankshaft pulley	A.24, A.25	AL	Handbrake mechanism	M.7, M.8	MF		
Cylinder head—valves—guides—springs—rockers—sparking plugs—water outlet elbow—thermostat—valve rocker cover—oil filler	A.26, A.27	AM	Battery—dynamo	N.1	N		
Cylinder, front and side covers—tachometer drive—gearbox mounting plate	A.28	AN	Starter	N.2	NA		
Oil pump—strainer—release valve—oil reservoir—dipper rod—oil filter and pipe	A.29, A.30	AP	Switches—control box—fuse box	N.3, N.4	NB		
Water pump and pulley—dynamo and distributor mounting—fan and fan belt—blanking sleeve	A.31, A.33	AQ	Headlamps	N.5—N.8	NC		
Engine service kits	A.34	—	Side lamps and fog lamp	N.9	ND		
Oil cooler	A.35	AR	Tail lamps and number plate lamp	N.10, N.11	NE		
Distributor—ignition coil—H.T. cables—vacuum control	B.1—B.3	B	Flasher—horn	N.12	NG		
Cooling system	C.1	C	Windscreen wiper	N.13	NH		
Fuel pump	D.1, D.2	D	Cables and connections	N.14, N.15	NJ		
Fuel tank—fuel pipes	D.3	DA	Instruments	O.1, O.2	O		
Carburettors	D.4—D.6	DB	Road wheels	P.1	P		
Air cleaner—air intake hose	D.7	DC	Chassis frame—body mounting	Q.1, Q.2	Q		
Clutch components	E.1	E	Body shell (tourer)	R.1, R.3	R		
Clutch pedal and linkage—master cylinder assembly—clutch operating cylinder	E.2	EA	Body shell (coupé)	R.4, R.8	RA		
Clutch pedal and linkage—clutch master cylinder—clutch operating cylinder (all round disc brakes)	E.3, E.4	EB	Flooring—ramps—propeller shaft tunnel—gearbox cover	R.9	RB		
Gearbox	F.1—F.5	F	Boot lid fittings	R.10, R.	RC		
Propeller shaft	G.1	G	Windscreen—backlight—windscreen washer	R.12, R.13	RD		
Rear axle } (standard model)	H.1—H.3	H	Door fittings	R.14, R.15	RE		
Rear brakes }	H.4	HA	Windows—sidescreen	R.16, R.17	RF		
Rear axle (all round disc brakes)	H.5—H.7	HB	Bonnet fittings	R.18	RG		
			Number plate and fittings	R.19	RH		
			Bumpers and fittings	R.20, R.21	RJ		
			Seats and seat fittings	R.22, R.26	RK		
			De-luxe seats	R.27, R.28	RL		
			Trimming—liners } tourer	R.29—R.32	RM		
			Trimming—carpets }	R.33	RN		
			Trimming—liners } coupé	R.34, R.35	RP		
			Trimming—carpets }	R.36	RQ		
			Hood and tonneau cover	R.37, R.38	RR		
			Hard-top	R.39	RS		
			Hard-top	R.40	RT		
			Fascia panel	R.41, R.42	RU		
			Sundries	R.43, R.44	RV		
			Heating and ventilating equipment	R.45, R.46	RW		
			Tool kit	S.1	—		
			Service tools	S.1	—		
			Literature	S.1	—		
			Paint	S.2	—		

ALPHABETICAL INDEX

	<i>Page</i>
A	
Absorber—front	K.4, K.8
Absorber—rear	L.1
Accelerator cable	A.19
Accelerator controls	A.18
Accelerator pedal	A.18
Adaptor—master cylinder	M.3
Adaptor—oil filter	A.9, A.27
Adjustable steering column	J.4
Adjuster nut—brake cable	M.7
Adjuster—rear brakes	H.4
Air cleaner	D.7
Anti-roll bar assembly	K.5
Arm and blade—wiper	N.13
Ash tray	R.43
Axle—rear	H.1, H.5
B	
Backlight—coupé	R.12
Badge bar	R.43
Badge—radiator grille	C.1
Battery fixings	N.1
Bearing—clutch	E.1
Bearing—connecting rod	A.3, A.24
Bearing—differential	H.1, H.5
Bearing—front hub	K.2
Bearing—main—crankshaft	A.3, A.24
Bearing—pinion tail—steering rack	J.1
Bearing—rear hub	H.3, H.7
Belt—fan	A.11, A.33
Bezel—radio aperture	R.41
Blind—radiator	R.44
Body shell—tourer	R.1
Body shell—coupé	R.5
Bolt—clutch lever	F.4
Bonnet—lid	R.1, R.5
Boot lid	R.1, R.5
Boot—socket assembly—steering	J.2
Bootee—starter switch	N.3
Bracket—accelerator return spring	A.19
Bracket—bumper support	Q.1
Bracket—horn push	R.42
Bracket—rear shock absorber	H.10
Bracket—steering column	J.3
Brake—front	K.3, K.7
Brake—rear	H.4, H.8
Brake pedal	M.1, M.2
Buffer—bonnet lid	R.18

	<i>Page</i>
Bump rubber—rear spring	H.10
Bumpers and fittings	R.20
Bush—bottom wishbone	K.4
Bush—handbrake	M.7
Bush—rear engine mounting	A.16
Bush—rocker	A.5, A.26
Bush—rubber—rear spring	H.10
C	
Cable—choke	A.20
Cable—handbrake	M.7
Cable—harness	N.14, N.15
Cable—revolution counter	O.1
Cable—speedometer	O.1
Cable—starter	A.20
Camshaft	A.3, A.24
Canopy assembly—hood	R.37
Cap—radiator	C.1
Carburettor	D.4-D.6
Carpets	R.33, R.36
Carrier and differential	H.1, H.5
Carrier—luggage	R.44
Catch and control—bonnet	R.18
Chain—camshaft timing	A.4, A.25
Chain tensioner	A.4, A.25
Change speed lever	F.4
Chassis frame	Q.1
Check rubber—front suspension	K.4, K.8
Choke control	A.20
Cigar lighter	R.43
Clamp—accelerator cable	A.19
Clamp—battery	N.1
Cleaner—air	D.7
Clip—air intake hose	D.5
Clip—brake pipes	M.5
Clip—oil gauge pipe	O.2
Clip—petrol pipe	D.3
Clip—rack—steering	J.1
Clip—thermometer pipe	O.2
Clutch assembly	E.1
Coil—ignition	B.2
Cold air ventilation kit	R.46
Column steering	J.2, J.4
Connecting rods	A.3, A.24
Control box	N.4
Cooling system	C.1
Cover—clutch assembly	E.1
Cover—gearbox assembly	R.9

	<i>Page</i>
Cover—gearbox front	F.1
Cover—hub	P.1
Cover—rocker	A.6, A.27
Cover—spare wheel	R.35
Cover—steering wheel	J.3
Cover—tonneau	R.38
Crankshaft	A.3, A.24
Cross-shaft—accelerator	A.18
Crown wheel and pinion	H.2, H.6
Cup—piston—master cylinder	M.3
Cushion—seat	R.22, R.25
Cylinder—wheel	H.4, H.8, K.7
Cylinder head	A.5, A.26
Cylinder front and side covers	A.7, A.28
D	
Demister fittings	R.43
Dipper rod—engine	A.9, A.30
Dipper switch	N.3
Dipstick—gearbox	F.4
Distributor	B.1
Door assembly	R.2, R.6
Door fittings	R.14
Door sealing rubber	R.32, R.35
Draught excluder—gear lever	F.5
Dripway—door opening	R.6
Drum—brake rear	H.4
Dynamo	N.1
E	
Element—oil filter	A.9, A.30
Engine—1600 c.c. (16GA)	A.1-A.14
Engine—1622 c.c. (16GC)	A.21, A.34
Engine service kits	A.14, A.34
Excluder—pedals fume	M.1, M.2
Exhaust system	A.17
Extension—gearbox	F.1
F	
Fascia panel	R.41
Fan—dynamo	A.11, A.32
Fan blade assembly	A.13, A.33
Filler cap—radiator	C.1
Filter—oil	A.9, A.30
Finishers—door pillars	R.32
Flasher unit	N.12

	<i>Page</i>
Flexible bush rear engine mounting ..	A.16
Floorboards	R.9
Flywheel	A.4, A.25
Foglamp	N.9
Fork reverse	F.2
Front brake	K.3, K.7
Front cover gearbox	F.1
Front end body panels	R.1, R.5
Front extension chassis	Q.1
Front suspension	K.1, K.6
Fume excluder—pedals	M.1, M.2
Fuse box	N.4

G

'G' trunk lid	R.11
Gasket sets engine	R.14, R.34
Gauge fuel	O.2
Gauge oil and temperature	O.2
Gear camshaft	A.3, A.24
Gear speedometer drive	F.3
Gearbox	F.1, F.5
Glass windscreen	R.12
Grab handle	R.12
Grille radio speaker	R.41
Grille assembly radiator	C.1
Grommets dash bulkhead	R.43
Gudgeon pin	A.2, A.23
Guide accelerator cable	A.19
Guide exhaust valve	A.5, A.26

H

Hammer copper	S.1
Handbrake assembly	M.7
Hard top assembly	R.30
Harness cables	N.14, N.15
Head—cylinder	A.5, A.26
Heat shield carburetter	D.7
Heater and ventilating equipment	R.45
Hinges bonnet lid	R.18
Hinges—door	R.2, R.6
Hinges—boot lid	R.10
Hood assembly	R.37
Horn	N.12
Horn bracket	N.12
Horn push	R.42
Hose—air intake carburetter	D.7
Hose brake	M.5

	<i>Page</i>
Hose petrol tank	D.3
Hose radiator	C.1
Hub assembly front	K.1, K.6
Hub assembly rear	H.2, H.3
Hub caps	P.1
Hub extension rear	H.2, H.7
Hydraulic pipes and fittings	M.5

I

Ignition coil	B.2
-----------------------	-----

J

Joint washer sets engine	A.14, A.34
Journal assembly propeller shaft	G.1

K

Knob change speed lever	F.4
Knob—switch	N.3

L

Lamp fog	N.9
Lamps road	N.5, N.11
Layshaft	F.3
Leaf rear spring	H.10
Lever change speed	F.4
Lever clutch withdrawal	F.4
Lever flasher switch	N.3
Lever hand brake	M.7
Licence holder	R.43
Lid—bonnet	R.1, R.5
Lid—boot	R.1, R.5
Liner assemblies	R.30, R.34
Lining—shoe rear brakes	H.4
Link—swivel pin	K.1, K.6
Literature	S.1
Locating plate—camshaft	A.3, A.24
Lock boot lid	R.10
Lock assembly door	R.14
Luggage carrier	R.43

M

'M'—trunk lid	R.11
Manifolds	A.15
Master cylinder	M.3, M.4
Master cylinder box	M.1, M.2

	<i>Page</i>
'MGA' ventilator grille air duct	R.43
'MG' motif fascia panel	R.41
Mirror rear view	R.43
Mirror wing	R.43
Mounting—body details	Q.2
Mounting distributor	A.11, A.31
Mounting dynamo	A.11, A.31
Mounting—engine	A.16
Mounting—exhaust	A.17
Mounting—gearbox	A.16
Motor wiper	N.13

N

Nut—cylinder head	A.5, A.26
Nut—steering wheel	J.3
Number plate and fittings	R.19

O

Oil drain plug	A.9, A.30
Oil filter	A.9, A.30
Oil pump	A.8, A.29
Oil reservoir	A.9, A.30
Oil seal hub	H.3, H.7, K.2, K.6
Operating lever handbrake	M.7
Over-rider	R.20

P

Pad—pedal rubber	E.2, E.3, M.1, M.2
Pad—rubber—accelerator pedal	A.18
Paint	S.2
Pedal—accelerator	A.18
Pedal—brake	M.1, M.2
Pedal—clutch	E.2, E.3
Pinion—speedometer drive	F.2
Pinion—steering	J.1
Pipe air filter	D.7
Pipe assembly—oil filter	A.9, A.30
Pipe assembly—oil gauge	O.2
Pipe assembly vacuum ignition	B.3
Pipe—radiator	C.1
Pipe—hydraulic brake	M.5
Pipes—fuel	D.3
Piping—fascia panel	R.41
Piping—radiator grille	C.1
Piston assembly	A.1, A.23
Plate—rear brakes	H.4

	<i>Page</i>
Plinth—tail lamp	N.10
Plug—brake—drum	H.4
Plug—oil drain—engine	A.9, A.37
Plug—rear axle oil	H.1, H.5
Plug—sparking	A.6, A.47
Power unit	A.1, A.41
Propeller shaft	G.1
Pulley—crankshaft	A.4, A.25
Pulley—dynamo	A.11, A.31
Pulley—water pump	A. 11, A.31
Pump—fuel	D.1
Pump—oil	A.8, A.30
Push-rod	A.4, A.25

R

Rack and pinion—steering	J.1
Radiator	C.1
Radiator blind	R.43
Rear ramp	R.9
Rear spring	H.10
Rebound strap	H.10
Relay unit—foglamp	N.9
Remote control—gearbox	F.4
Remote control shaft—gearbox	F.5
Reservoir—oil	A.9, A.20
Reverse fork	F.2
Reverse gear	F.3
Revolution counter	O.1
Ring—piston	A.1, A.23
Ring—starter	A.4, A.25
Rocker cover	A.6, A.27
Rocker—shaft	A.5, A.26
Rod—bonnet lid support	R.18
Roof assembly—coupé	R.6

S

Seal—steering column	J.3
Seal—steering rack	J.1
Seal—swivel pin	K.1, K.6
Seat and seat fittings	R.22—R.28
Shackle plate	H.10
Shaft—propeller	G.1
Shaft—rear axle	H.2, H.7

	<i>Page</i>
Shock absorber—front	K.4, K.8
Shock absorber—rear	L.1
Shoe—brake	H.4
Sidescreeen	R.17
Sidescreeens—sliding	R.40
Silencer—exhaust	A.17
Spanners	S.1
Spare wheel cover	R.31, R.95
Sparking plugs	A.6, A.27
Speedometer	O.1
Spring—change speed lever	F.4
Spring—coil—front suspension	K.4, K.8
Spring—handbrake cable	M.7
Spring pan assembly	K.4, K.8
Spring—piston return—master cylinder	M.3
Spring—rear	H.10
Spring—valve	A.5, A.26
Starter	N.2
Starter control	A.20
Starting handle	S.1
Steering column	J.2
Steering column—adjustable	J.4
Steering	J.1
Steering knuckle	K.1, K.6
Steering lever	K.1, K.6
Steering wheel	J.3
Stowage—sidescreeen	R.31
Strap—fuel tank	D.3
Strap—rebound	H.10
Stud—manifold	A.15
Sundries	R.43
Switch—dipper	N.3
Switch—flasher	N.3
Switch—ignition	N.3
Switch—lights	N.3
Switch—map lamp	N.3
Switch—panel light	N.3
Switch—starter	N.3
Swivel pin	K.1, K.6

T

Tachometer drive	A.7, A.28
Tank unit attachment	D.3
Tank—fuel	D.3
Tap—radiator drain	C.1
Tap—water drain	A.2, A.21

	<i>Page</i>
Tappets	A.4, A.24
Thermostat	A.6, A.27
Tie-rod—steering	J.1
Tonneau assembly	R.1, R.5
Tonneau cover	R.38
Tools	S.1
Tower—remote control—gearbox	F.4
Trimming	R.28—R.36
Tunnel—propeller shaft	R.9

U

'U' clip—rear spring	H.10
Universal joint—steering column	J.2

V

Vacuum control pipe	B.3
Valve—cylinder head	A.5, A.26
Ventilation—cold air kit	R.46
Ventilator grille—air duct	R.43
Ventilator assembly—window	R.16
Visor—sun	R.43

W

Washer—windscreen	R.13
Water outlet elbow	A.6, A.27
Water pump	A.10, A.31
Wheel brace	S.1
Wheel—road	P.1
Wheel—steering	J.3
Wheel—wire	P.1
Windscreen wiper details	N.13
Wing mirror	R.43
Wings	R.3, R.7
Wishbone assembly	K.4, K.8
Wishbone pivot	K.4, K.8

Y

Yoke—manifold	A.15
Yoke—sleeve assembly—propeller shaft	G.1

PART NUMBER INDEX

The following is a complete index of parts in this list, giving the page reference to each part number

Part Number	Page	Amdt. Number	Part Number	Page	Amdt. Number	Part Number	Page	Amdt. Number	Part Number	Page	Amdt. Number
1A1546	A.4		2A0013	N.10		AAA1323	K.4		AAA4120	M.1	
1A1546	A.25		2A9040	N.10		AAA1323	K.8		AAA4120	M.2	
1A1964	F.3					AAA1324	K.4		AAA4130	M.1	
1A2028	A.4		12A24	A.7		AAA1324	K.8		AAA4130	M.2	
1A2028	A.25		12A24	A.28		AAA1326	K.4		AAA4133	M.1	
1A2130	A.5		12A29	A.6		AAA1326	K.8		AAA4258	S.1	
1A2130	A.26		12A29	A.27		AAA1329	K.4		AAA4508	R.18	
1A2140	A.6		12A402	A.6		AAA1329	K.8		AAA4657	R.45	
1A2156	A.6		12A402	A.27		AAA1330	K.4		AAA4714	H.4	
1A2156	A.27		12A526	A.11		AAA1330	K.8		AAA4756	M.3	
1A2206	A.8		12A526	A.32		AAA1333	J.1		AAA4757	M.3	
1A2206	A.29					AAA1334	J.1		AAA4758	M.3	
1A3717	F.1		14A336	R.1		AAA1335	J.1		AAA5023	K.4	
1A4742	K.6		14A336	R.5		AAA1336	J.1		AAA5023	K.8	
			14A1468	F.5		AAA1390	K.4		AAA5024	K.4	
			14A3823	R.43		AAA1390	K.8		AAA5024	K.9	
			14A5754	R.46		AAA1477	D.2		AAA5053	R.10	
2A128	A.11		14A6536	R.36		AAA1514	R.10		AAA5115	R.14	
2A128	A.31		14A6537	R.37		AAA1514	R.18		AAA5130	R.36	
2A130	A.11		14A6537	R.38		AAA1524	R.10		AAA5154	R.32	
2A139	A.31		14A6538	R.37		AAA1628	E.2		AAA5166	R.37	
2A150	A.6		14A6538	R.38		AAA1628	E.3		AAA5166	R.39	
2A150	A.26		14A6586	R.17		AAA1628	M.1		AAA5166	R.40	
2A258	A.5		14A8196	R.43		AAA1628	M.2		AAA5981	B.3	
2A258	A.26		14A8225	R.43		AAA1645	R.21				
2A259	A.5		14A8226	R.43		AAA1650	J.4				
2A259	A.26					AAA1651	J.4		ACA4010	K.1	
2A320	A.27					AAA1679	J.1		ACA4010	K.6	
2A450	B.3		21A62	M.5		AAA1682	J.1		ACA5000	H.10	
2A497	A.12					AAA1876	R.18		ACA5127	D.3	
2A497	A.31		22A75	F.2		AAA1881	R.10		ACA5216	S.1	
2A497	A.31		22A75	F.4		AAA1881	R.18		ACA5217	S.1	
2A758	A.11					AAA1882	R.10		ACA5218	S.1	
2A758	A.31					AAA1882	R.18		ACA5221	P.1	
2A759	A.3		AAA17	D.2		AAA2088	N.12		ACA5244	J.1	
2A759	A.24		AAA192	J.4		AAA2107	N.12		ACA5245	J.1	
2A770	A.7		AAA193	J.4		AAA2179	R.19		ACA5246	J.1	
2A778	A.11		AAA260	D.2		AAA2308	R.10		ACA5247	J.1	
2A778	A.31		AAA301	D.3		AAA2308	R.18		ACA5248	J.1	
2A847	A.11		AAA463	N.11		AAA3151	C.1		ACA5249	J.1	
2A847	A.31		AAA515	M.7		AAA3447	S.1		ACA5283	J.1	
2A847	A.31		AAA563	M.7		AAA3496	R.43		ACA5284	J.1	
2A930	A.28		AAA627	O.2		AAA3679	R.8		ACA5285	J.1	
2A3141	F.2		AAA628	O.2		AAA3763	R.42		ACA5286	J.1	
2A3254	F.2		AAA643	O.2		AAA3838	H.10		ACA5289	A.10	
2A3255	F.2		AAA640	A.19		AAA4039	G.1		ACA5290	D.7	
2A3256	F.2		AAA743	R.36		AAA4129	E.2		ACA5300	R.9	
2A7213	H.2		AAA788	R.18		AAA4129	E.3		ACA5301	J.1	
2A7213	H.6		AAA1322	K.4							
2A7226	H.1		AAA1322	K.8							
2A7226	H.5		AAA1322	K.8							

PART NUMBER INDEX—continued

Part Number	Page	Amdt. Number	Part Number	Page	Amdt. Number	Part Number	Page	Amdt. Number	Part Number	Page	Amdt. Number
ACA5302	J.1		ACH5490	S.1		ADH5481	R.17		AFH1503	R.1	
ACA5304	J.1		ACH5701	N.8		ADH5482	R.15		AFH1503	R.5	
ACA5308	P.1		ACH5703	H.4					AFH1514	R.10	
ACA5321	A.18		ACH5704	H.4		AEC339	A.4		AFH1514	R.18	
ACA5374	R.9		ACH5780	D.3		AEC339	A.25		AFH1515	R.10	
ACA6031	J.1		ACH5781	D.3		AEC340	A.4		AFH1515	R.18	
ACA9878	M.5		ACH5835	R.19		AEC340	A.25		AFH1516	R.10	
			ACH5850	D.3		AEC388	B.3		AFH1519	R.10	
ACB5255	K.4		ACH5895	S.1					AFH1520	R.1	
ACB5255	K.8		ACH6001	J.3		AEG129	A.13		AFH1521	R.1	
ACB8474	N.3		ACH6170	J.2		AEG129	A.33		AFH1524	R.1	
ACB8474	N.3		ACH6173	J.2		AEG3001	F.4		AFH1524	R.5	
ACB8474	O.1		ACH8304	P.1		AEG3101	F.4		AFH1527	R.1	
ACB8701	M.5		ACH8508	M.7		AEG3105	F.4		AFH1527	R.5	
ACB8715	M.7		ACH8529	O.1		AEG3106	F.4		AFH1577	R.1	
ACB9425	J.4		ACH8650	M.5		AEG3108	F.1		AFH1577	R.5	
ACB9428	J.4		ACH8650	M.6		AEG3112	F.4		AFH1578	R.10	
ACB9427	J.4		ACH8979	N.15		AEG3113	F.4		AFH1579	R.1	
			ACH8977	D.3		AEG3114	F.5		AFH1585	R.1	
ACC5509	E.2		ACH9287	R.19		AEG3115	F.5		AFH1620	R.1	
ACC6042	J.4					AEG3116	F.5		AFH1621	R.1	
ACC8956	M.7		ADA458	R.18		AEG3117	F.4		AFH1624	R.2	
			ADA461	R.18		AEG3118	F.4		AFH1625	R.2	
ACF4000	K.2		ADA463	R.18		AEG3120	F.4		AFH1626	R.2	
ACF4001	K.2		ADA464	R.18		AEG3122	F.4		AFH1627	R.2	
ACF4001	K.6		ADA466	K.18		AEG3123	F.5		AFH1654	R.18	
ACF4002	K.2		ADA833	R.41		AEG3124	F.5		AFH1655	R.18	
ACF4003	K.2		ADA2463	R.18					AFH1656	R.1	
ACF4004	K.2					AEH194	A.15		AFH1656	R.6	
ACF5117	M.5		ADB509	R.41		AEH195	A.15		AFH1657	R.1	
			ADB709	R.15		AEH281	A.15		AFH1657	R.6	
ACG4030	K.1		ADB709	R.17		AEH550	P.7		AFH1658	R.1	
ACG4030	K.6		ADB826	N.13		AEH550	M.6		AFH1658	R.6	
ACG5001	H.10		ADB4811	R.33		AEH656	A.13		AFH1659	R.1	
ACG5002	H.10		ADB4811	R.36		AEH660	A.15		AFH1659	R.6	
ACG5147	D.2		ADB4825	R.11		AEH3242	F.2		AFH1663	R.1	
ACG5179	N.9								AFH1663	R.5	
ACG5180	N.9		ADC560	N.13		AEK113	A.5		AFH1666	R.2	
ACG5184	D.7		ADC2781	R.18		AEK113	A.26		AFH1667	R.2	
ACG5247	S.1					AEK122	C.1		AFH1675	R.18	
ACG6005	K.1		ADE539	R.36		AEK123	C.1		AFH1682	R.14	
ACG6005	K.6		ADE539	R.33					AFH1683	R.14	
ACG8000	P.1		ADG474	R.19		AFB776	R.35		AFH1684	R.14	
			ADG1517	N.12					AFH1685	R.14	
ACH5031	C.1					AFH898	R.2		AFH1687	R.12	
ACH5032	C.1		ADH456	R.18		AFH899	R.2		AFH1692	R.3	
ACH5101	M.7		ADH785	N.9		AFH900	R.1		AFH1692	R.7	
ACH5104	M.7		ADH2475	R.11		AFH900	R.5		AFH1693	R.3	
ACH5112	A.19		ADH2476	R.11		AFH1464	R.2		AFH1693	R.8	
ACH5236	S.1		ADH2611	N.15		AFH1464	R.6		AFH1700	R.3	
ACH5244	S.1		ADH3809	R.43		AFH1502	R.1		AFH1700	R.7	
ACH5245	S.1		ADH4869	R.18		AFH1502	R.5		AFH1701	R.7	

PART NUMBER INDEX—continued

Part Number	Page	Amdt. Number	Part Number	Page	Amdt. Number	Part Number	Page	Amdt. Number	Part Number	Page	Amdt. Number
AFH1702	R.2		AFH1896	R.1		AFH2615	R.23		AFH3867	R.5	
AFH1702	R.7		AFH1896	R.4		AFH2622	R.10		AFH3879	R.5	
AFH1703	R.2		AFH1899	R.2		AFH2624	R.1		AFH3880	R.5	
AFH1703	R.7		AFH1900	R.31		AFH2624	R.6		AFH3881	R.5	
AFH1704	R.3		AFH1900	R.35		AFH2625	R.1		AFH3882	R.6	
AFH1704	R.8		AFH2451	R.32		AFH2625	R.6		AFH3883	R.4	
AFH1705	R.3		AFH2455	R.32		AFH2627	R.2		AFH3884	R.6	
AFH1705	R.8		AFH2456	R.22		AFH2627	R.3		AFH3885	R.6	
AFH1710	R.3		AFH2457	R.23		AFH2627	R.7		AFH3893	R.15	
AFH1711	R.3		AFH2458	R.22		AFH2630	R.12		AFH3894	R.14	
AFH1711	R.7		AFH2459	R.23		AFH2631	R.12		AFH3895	R.14	
AFH1712	R.41		AFH2466	R.33		AFH2635	R.37		AFH3896	R.14	
AFH1713	R.41		AFH2467	R.33		AFH2659	R.37		AFH3897	R.14	
AFH1718	R.12		AFH2474	R.33		AFH2722	R.35		AFH3898	R.17	
AFH1719	R.12		AFH2546	R.2		AFH2723	R.35		AFH3899	R.17	
AFH1720	R.12		AFH2546	R.3		AFH2809	R.12		AFH3900	R.17	
AFH1721	R.12		AFH2546	R.5		AFH2819	R.30		AFH4453	R.16	
AFH1722	R.12		AFH2546	R.8		AFH2820	R.31		AFH4454	R.17	
AFH1723	R.12		AFH2547	R.12		AFH2821	R.31		AFH4455	R.16	
AFH1724	R.12		AFH2560	R.22		AFH2868	R.12		AFH4456	R.17	
AFH1726	R.12		AFH2561	R.30		AFH3740	R.29		AFH4458	R.17	
AFH1731	R.31		AFH2562	R.30		AFH3741	R.29		AFH4459	R.17	
AFH1739	R.17		AFH2563	R.30		AFH3742	R.29		AFH4465	R.6	
AFH1741	R.37		AFH2564	R.30		AFH3743	R.29		AFH4466	R.6	
AFH1744	R.32		AFH2565	R.30		AFH3744	R.30		AFH4467	R.6	
AFH1747	R.10		AFH2567	R.31		AFH3745	R.30		AFH4480	R.7	
AFH1748	R.43		AFH2567	R.34		AFH3752	R.2		AFH4481	R.7	
AFH1749	R.43		AFH2568	R.31		AFH3752	R.6		AFH4482	R.6	
AFH1753	R.10		AFH2569	R.31		AFH3753	R.2		AFH4483	R.6	
AFH1754	R.1		AFH2570	R.31		AFH3753	R.6		AFH4485	R.36	
AFH1755	R.18		AFH2571	R.31		AFH3778	R.12		AFH4486	R.35	
AFH1756	R.10		AFH2572	R.31		AFH3780	R.6		AFH4487	R.35	
AFH1757	R.10		AFH2574	R.32		AFH3781	R.6		AFH4488	R.41	
AFH1758	R.10		AFH2575	R.32		AFH3786	R.6		AFH4489	R.41	
AFH1759	R.10		AFH2576	R.32		AFH3787	R.6		AFH4512	R.35	
AFH1767	R.1		AFH2577	R.32		AFH3792	R.14		AFH4513	R.15	
AFH1767	R.5		AFH2579	R.32		AFH3796	R.15		AFH4520	R.41	
AFH1768	R.3		AFH2587	R.1		AFH3802	R.16		AFH4562	R.35	
AFH1769	R.3		AFH2587	R.2		AFH3803	R.16		AFH4565	R.35	
AFH1787	R.12		AFH2587	R.3		AFH3830	R.12		AFH4568	R.17	
AFH1789	R.10		AFH2587	R.5		AFH3831	R.12		AFH4569	R.17	
AFH1794	R.1		AFH2587	R.7		AFH3832	R.12		AFH4614	R.36	
AFH1794	R.5		AFH2587	R.10		AFH3833	R.12		AFH4631	R.36	
AFH1831	R.36		AFH2587	R.18		AFH3834	R.12		AFH4632	R.25	
AFH1831	R.33		AFH2587	R.41		AFH3835	R.12		AFH4633	R.25	
AFH1834	R.33		AFH2587	R.43		AFH3836	R.12		AFH4634	R.25	
AFH1834	R.36		AFH2609	R.33		AFH3837	R.12		AFH4635	R.25	
AFH1846	R.31		AFH2610	R.22		AFH3838	R.12		AFH4636	R.25	
AFH1860	R.33		AFH2611	R.23		AFH3839	R.12		AFH4637	R.25	
AFH1870	R.1		AFH2612	R.22		AFH3840	R.2		AFH4638	R.25	
AFH1871	R.1		AFH2613	R.23		AFH3840	R.7		AFH4639	R.25	
AFH1874	R.1		AFH2614	R.22		AFH3866	R.5		AFH4640	R.25	

PART NUMBER INDEX—continued

Part Number	Page	Amdt. Number	Part Number	Page	Amdt. Number	Part Number	Page	Amdt. Number	Part Number	Page	Amdt. Number
AFH4641	R.25		AFH4866	R.16		AFH5552	R.33		AFH5757	R.36	
AFH4642	R.35		AFH4867	R.16		AFH5553	R.35		AFH5763	R.36	
AFH4643	R.35		AFH4868	R.16		AFH5566	R.34		AFH5764	R.36	
AFH4644	R.35		AFH4869	R.16		AFH5567	R.34		AFH5765	R.36	
AFH4645	R.35		AFH4870	R.16		AFH5572	R.34		AFH5785	R.36	
AFH4648	R.43		AFH4871	R.16		AFH5573	R.34		AFH5804	R.22	
AFH4649	R.35		AFH4872	R.16		AFH5574	R.34		AFH5804	R.24	
AFH4652	R.35		AFH4873	R.16		AFH5575	R.34		AFH5805	R.23	
AFH4653	R.35		AFH4874	R.16		AFH5594	R.34		AFH5805	R.25	
AFH4654	R.35		AFH4875	R.16		AFH5595	R.34		AFH5822	R.41	
AFH4655	R.35		AFH4876	R.16		AFH5608	R.31		AFH5823	R.41	
AFH4657	R.35		AFH4877	R.16		AFH5608	R.34		AFH5827	R.2	
AFH4658	R.41		AFH4878	R.16		AFH5628	R.41		AFH5827	R.6	
AFH4659	R.41		AFH4879	R.1		AFH5629	R.41		AFH5832	R.2	
AFH4661	R.36		AFH4879	R.5		AFH5666	R.27		AFH5832	R.6	
AFH4748	R.6		AFH4881	R.1		AFH5667	R.28		AFH5852	R.22	
AFH4771	R.33		AFH4881	R.4		AFH5672	R.27		AFH5853	R.23	
AFH4771	R.36		AFH4894	R.1		AFH5673	R.28		AFH5858	R.22	
AFH4774	R.33		AFH4895	R.1		AFH5674	R.27		AFH5859	R.23	
AFH4774	R.36		AFH4896	R.5		AFH5675	R.27		AFH5864	R.22	
AFH4782	R.3		AFH4897	R.45		AFH5680	R.27		AFH5865	R.23	
AFH4782	R.8		AFH5453	R.6		AFH5681	R.28		AFH5870	R.22	
AFH4783	R.3		AFH5453	R.48		AFH5686	R.27		AFH5871	R.23	
AFH4783	R.8		AFH5454	R.31		AFH5687	R.28		AFH5876	R.22	
AFH4784	R.3		AFH5457	R.12		AFH5688	R.27		AFH5877	R.23	
AFH4784	R.8		AFH5458	R.12		AFH5689	R.28		AFH5882	R.22	
AFH4785	R.3		AFH5476	R.41		AFH5694	R.27		AFH5883	R.23	
AFH4785	R.8		AFH5477	R.41		AFH5695	R.28		AFH5888	R.22	
AFH4806	R.6		AFH5478	R.27		AFH5700	R.27		AFH5889	R.23	
AFH4807	R.6		AFH5479	R.28		AFH5701	R.28		AFH5894	R.22	
AFH4819	R.35		AFH5484	R.1		AFH5702	R.27		AFH5895	R.23	
AFH4822	R.35		AFH5485	R.5		AFH5703	R.28		AFH5898	R.31	
AFH4823	R.35		AFH5494	R.25		AFH5708	R.27		AFH6454	R.22	
AFH4825	R.33		AFH5495	R.25		AFH5709	R.28		AFH6455	R.23	
AFH4827	R.33		AFH5496	R.25		AFH5714	R.27		AFH6460	R.22	
AFH4835	R.33		AFH5497	R.25		AFH5715	R.28		AFH6461	R.23	
AFH4835	R.36		AFH5506	R.25		AFH5716	R.27		AFH6464	R.33	
AFH4838	R.33		AFH5507	R.25		AFH5717	R.28		AFH6467	R.33	
AFH4838	R.36		AFH5508	R.25		AFH5722	R.27		AFH6470	R.30	
AFH4841	R.41		AFH5509	R.25		AFH5723	R.28		AFH6473	R.29	
AFH4844	R.41		AFH5518	R.25		AFH5726	R.28		AFH6476	R.29	
AFH4847	R.16		AFH5519	R.25		AFH5728	R.27		AFH6479	R.29	
AFH4848	R.16		AFH5520	R.25		AFH5728	R.27		AFH6484	R.30	
AFH4849	R.16		AFH5521	R.25		AFH5730	R.27		AFH6485	R.30	
AFH4858	R.16		AFH5530	R.25		AFH5731	R.28		AFH6490	R.30	
AFH4859	R.16		AFH5531	R.25		AFH5736	R.27		AFH6491	R.30	
AFH4860	R.16		AFH5532	R.25		AFH5737	R.27		AFH6496	R.29	
AFH4861	R.16		AFH5533	R.25		AFH5739	R.27		AFH6497	R.39	
AFH4862	R.16		AFH5542	R.25		AFH5739	R.28		AFH6502	R.29	
AFH4863	R.16		AFH5543	R.25		AFH5748	R.27		AFH6503	R.29	
AFH4864	R.16		AFH5544	R.25		AFH5748	R.28		AFH6508	R.30	
AFH4865	R.16		AFH5545	R.25		AFH5755	R.36		AFH6509	R.30	

PART NUMBER INDEX—continued

Part Number	Page	Amdt. Number	Part Number	Page	Amdt. Number	Part Number	Page	Amdt. Number	Part Number	Page	Amdt. Number
AFH6514	R.30		AFH6675	R.23		AFH6727	R.25		AFH6784	R.27	
AFH6515	R.30		AFH6676	R.22		AFH6728	R.24		AFH6785	R.28	
AFH6520	R.30		AFH6677	R.23		AFH6729	R.25		AFH6786	R.27	
AFH6521	R.30		AFH6678	R.22		AFH6730	R.24		AFH6787	R.28	
AFH6526	R.31		AFH6679	R.23		AFH6731	R.25		AFH6788	R.27	
AFH6527	R.31		AFH6680	R.22		AFH6732	R.24		AFH6789	R.28	
AFH6528	R.33		AFH6681	R.23		AFH6733	R.25		AFH6790	R.27	
AFH6529	R.33		AFH6682	R.22		AFH6734	R.25		AFH6791	R.28	
AFH6530	R.33		AFH6683	R.23		AFH6735	R.25		AFH6792	R.27	
AFH6531	R.16		AFH6684	R.22		AFH6736	R.25		AFH6793	R.28	
AFH6532	R.16		AFH6685	R.23		AFH6737	R.25		AFH6794	R.27	
AFH6533	R.16		AFH6686	R.22		AFH6738	R.36		AFH6794	R.28	
AFH6534	R.16		AFH6687	R.23		AFH6739	R.36		AFH6795	R.27	
AFH6535	R.36		AFH6688	R.22		AFH6740	R.34		AFH6795	R.28	
AFH6536	R.36		AFH6689	R.23		AFH6741	R.34		AFH6796	R.37	
AFH6537	R.36		AFH6690	R.22		AFH6742	R.34		AFH6802	R.37	
AFH6546	R.33		AFH6691	R.23		AFH6743	R.34		AFH6803	R.37	
AFH6549	R.33		AFH6692	R.33		AFH6744	R.34		AFH6805	R.34	
AFH6552	R.36		AFH6693	R.33		AFH6745	R.34		AFH6806	R.34	
AFH6553	R.36		AFH6694	R.30		AFH6746	R.34		AFH6814	R.17	
AFH6576	R.1		AFH6695	R.30		AFH6747	R.34		AFH6815	R.17	
AFH6588	R.5		AFH6696	R.30		AFH6748	R.34		AFH6820	R.17	
AFH6589	R.5		AFH6697	R.30		AFH6749	R.34		AFH6821	R.17	
AFH6608	R.38		AFH6698	R.30		AFH6750	R.34		AFH6824	R.17	
AFH6612	R.17		AFH6699	R.30		AFH6751	R.34		AFH6826	R.17	
AFH6613	R.17		AFH6700	R.30		AFH6752	R.34		AFH6827	R.34	
AFH6614	R.2		AFH6701	R.30		AFH6753	R.34		AFH6828	R.34	
AFH6615	R.2		AFH6702	R.30		AFH6754	R.35		AFH6829	R.34	
AFH6618	R.7		AFH6703	R.30		AFH6755	R.35		AFH6842	R.41	
AFH6619	R.7		AFH6704	R.30		AFH6756	R.41		AFH6843	R.41	
AFH6620	R.32		AFH6705	R.30		AFH6757	R.41		AFH6844	R.41	
AFH6627	R.5		AFH6706	R.30		AFH6758	R.36		AFH6845	R.41	
AFH6636	R.37		AFH6707	R.30		AFH6759	R.36		AFH6846	R.37	
AFH6639	R.5		AFH6708	R.30		AFH6764	R.34		AFH6847	R.37	
AFH6650	R.5		AFH6709	R.30		AFH6765	R.35		AFH6848	R.37	
AFH6651	R.6		AFH6710	R.30		AFH6766	R.33		AFH6849	R.37	
AFH6652	R.34		AFH6711	R.30		AFH6768	R.12		AFH6850	R.37	
AFH6653	R.34		AFH6712	R.31		AFH6769	R.12		AFH6851	R.37	
AFH6655	R.35		AFH6713	R.31		AFH6770	R.37		AFH6852	R.37	
AFH6662	R.33		AFH6714	R.31		AFH6771	R.37		AFH6853	R.37	
AFH6662	R.36		AFH6715	R.31		AFH6772	R.32		AFH6854	R.31	
AFH6667	R.33		AFH6716	R.33		AFH6773	R.12		AFH6855	R.31	
AFH6667	R.36		AFH6717	R.33		AFH6774	R.27		AFH6856	R.31	
AFH6668	R.33		AFH6718	R.24		AFH6775	R.28		AFH6866	R.1	
AFH6668	R.36		AFH6719	R.25		AFH6776	R.27		AFH6877	R.31	
AFH6669	R.41		AFH6720	R.24		AFH6777	R.28		AFH6896	R.17	
AFH6670	R.41		AFH6721	R.25		AFH6778	R.27		AFH6897	R.17	
AFH6671	R.33		AFH6722	R.24		AFH6779	R.26		AFH6898	R.17	
AFH6671	R.36		AFH6723	R.25		AFH6780	R.27		AFH6899	R.17	
AFH6672	R.22		AFH6724	R.24		AFH6781	R.28		AFH7450	R.17	
AFH6673	R.23		AFH6725	R.25		AFH6782	R.27		AFH7451	R.17	
AFH6674	R.22		AFH6726	R.24		AFH6783	R.28		AFH7462	R.3	

PART NUMBER INDEX—continued

Part Number	Page	Amdt. Number	Part Number	Page	Amdt. Number	Part Number	Page	Amdt. Number	Part Number	Page	Amdt. Number
AFH7463	R.3		AHH5089	M.1		AHH5205	R.10		AHH5314	A.18	
AFH7478	R.7		AHH5092	M.1		AHH5206	R.10		AHH5320	A.18	
AFH7479	R.7		AHH5093	R.21		AHH5207	R.10		AHH5321	A.18	
AFH7488	R.4		AHH5094	R.21		AHH5208	R.10		AHH5322	M.7	
AFH7489	R.4		AHH5100	E.2		AHH5209	R.10		AHH5323	O.2	
AFH7490	R.1		AHH5100	E.3		AHH5224	M.7		AHH5327	A.20	
AFH7506	R.33		AHH5100	M.1		AHH5225	M.7		AHH5328	A.20	
AFH7506	R.36		AHH5100	M.2		AHH5226	R.10		AHH5330	A.20	
AFH7507	R.33		AHH5101	M.1		AHH5227	M.7		AHH5331	A.20	
AFH7507	R.36		AHH5102	M.1		AHH5228	M.7		AHH5332	A.20	
AFH7510	R.2		AHH5103	M.1		AHH5229	M.7		AHH5333	A.20	
AFH7511	R.2		AHH5104	D.3		AHH5230	M.7		AHH5334	A.20	
AFH7512	R.32		AHH5106	H.10		AHH5232	M.7		AHH5335	A.20	
AFH7513	R.32		AHH5107	D.3		AHH5233	M.7		AHH5336	A.20	
AFH7516	R.29		AHH5113	D.3		AHH5238	M.7		AHH5337	A.20	
AFH7517	R.34		AHH5114	D.3		AHH5242	M.7		AHH5338	A.18	
			AHH5115	D.3		AHH5244	M.7		AHH5339	A.15	
AHA5211	R.19		AHH5121	D.3		AHH5248	N.15		AHH5340	R.10	
AHA5653	R.38		AHH5124	S.1		AHH5252	R.3		AHH5343	Q.1	
			AHH5139	Q.1		AHH5252	R.9		AHH5344	Q.1	
AHE5000	R.44		AHH5140	Q.1		AHH5253	R.3		AHH5345	Q.1	
			AHH5143	C.1		AHH5253	R.9		AHH5346	Q.1	
AHH4001	K.4		AHH5144	C.1		AHH5254	R.41		AHH5349	R.11	
AHH4001	K.4		AHH5146	A.17		AHH5255	R.41		AHH5350	R.11	
AHH4002	K.8		AHH5147	D.7		AHH5256	R.41		AHH5351	R.11	
AHH4002	K.8		AHH5148	D.7		AHH5257	R.42		AHH5360	N.3	
AHH4003	K.4		AHH5149	D.7		AHH5258	R.41		AHH5362	N.3	
AHH4003	K.8		AHH5151	R.19		AHH5259	R.11		AHH5364	N.3	
AHH4004	K.4		AHH5161	R.19		AHH5260	R.11		AHH5366	N.3	
AHH4004	K.8		AHH5162	R.20		AHH5261	R.11		AHH5368	N.3	
AHH5015	H.10		AHH5163	R.20		AHH5263	R.10		AHH5376	R.41	
AHH5018	H.10		AHH5164	R.20		AHH5282	M.5		AHH5377	R.10	
AHH5019	H.10		AHH5166	N.1		AHH5284	M.3		AHH5378	R.10	
AHH5025	M.7		AHH5167	N.1		AHH5286	D.3		AHH5379	R.10	
AHH5027	A.16		AHH5168	N.1		AHH5287	R.42		AHH5380	A.19	
AHH5028	A.16		AHH5169	N.1		AHH5288	D.3		AHH5388	F.5	
AHH5029	L.1		AHH5170	N.1		AHH5290	D.3		AHH5394	D.7	
AHH5030	L.1		AHH5171	A.13		AHH5293	Q.1		AHH5394	R.46	
AHH5031	A.16		AHH5173	Q.2		AHH5294	R.43		AHH5396	R.43	
AHH5042	H.10		AHH5174	Q.2		AHH5295	M.8		AHH5402	A.17	
AHH5065	A.16		AHH5175	Q.2		AHH5297	M.8		AHH5403	A.17	
AHH5066	A.16		AHH5176	Q.2		AHH5299	A.13		AHH5404	A.17	
AHH5067	H.10		AHH5177	Q.2		AHH5300	A.18		AHH5405	A.17	
AHH5068	H.10		AHH5178	Q.2		AHH5301	A.18		AHH5406	A.17	
AHH5070	K.4		AHH5179	C.2		AHH5302	A.18		AHH5407	A.17	
AHH5070	K.8		AHH5180	R.10		AHH5303	A.18		AHH5408	Q.2	
AHH5071	H.10		AHH5194	R.10		AHH5304	A.18		AHH5409	Q.2	
AHH5080	S.1		AHH5195	M.5		AHH5306	A.18		AHH5410	N.13	
AHH5081	H.10		AHH5198	R.43		AHH5308	A.19		AHH5411	N.13	
AHH5082	H.10		AHH5199	R.10		AHH5309	A.19		AHH5414	N.13	
AHH5084	M.1		AHH5200	R.10		AHH5310	A.19		AHH5422	R.45	
AHH5085	M.1		AHH5203	M.7		AHH5311	A.18		AHH5423	R.45	

PART NUMBER INDEX—continued

Part Number	Page	Amdt. Number	Part Number	Page	Amdt. Number	Part Number	Page	Amdt. Number	Part Number	Page	Amdt. Number
AHH15427	R.45		AHH15514	H.4		AHH15070	R.39		AHH5763	M.0	
AHH15428	R.45		AHH15520	N.7		AHH15070	R.40		AHH5764	M.0	
AHH15429	R.45		AHH15521	N.9		AHH15071	R.39		AHH5765	M.6	
AHH15430	R.44		AHH15526	R.43		AHH15072	R.39		AHH5766	M.6	
AHH15430	R.40		AHH15527	R.43		AHH5073	R.39		AHH5767	M.6	
AHH15433	R.45		AHH15528	Q.2		AHH5074	R.39		AHH5768	M.6	
AHH15434	R.46		AHH15529	R.45		AHH5087	M.2		AHH5769	M.6	
AHH15435	R.46		AHH15531	R.45		AHH5088	M.2		AHH5770	M.6	
AHH15436	R.46		AHH15532	R.45		AHH5089	M.2		AHH5771	M.6	
AHH15437	R.46		AHH15533	D.7		AHH5090	M.2		AHH15772	M.6	
AHH15440	R.46		AHH5536	R.44		AHH15091	M.2		AHH15773	M.6	
AHH15441	D.7		AHH5537	R.45		AHH5092	M.2		AHH15774	M.6	
AHH15442	D.7		AHH5539	R.43		AHH5093	M.2		AHH15780	N.3	
AHH5448	N.15		AHH5541	N.9		AHH5094	E.3		AHH5781	Q.2	
AHH15449	N.15		AHH5544	D.3		AHH5095	M.2		AHH15802	O.2	
AHH15450	N.15		AHH5546	K.4		AHH5096	E.3		AHH15808	R.39	
AHH15452	N.15		AHH5565	R.43		AHH5708	Q.1		AHH15809	Q.1	
AHH15453	N.15		AHH5591	R.45		AHH15712	R.19		AHH15814	N.15	
AHH15455	R.10		AHH5596	R.44		AHH15713	D.7		AHH15815	R.10	
AHH15456	R.10		AHH5597	R.44		AHH5714	D.7		AHH15817	R.10	
AHH15458	Q.2		AHH5598	R.44		AHH5714	R.45		AHH5820	O.2	
AHH15459	R.11		AHH15590	R.40		AHH15714	R.46		AHH15822	E.3	
AHH15460	R.18		AHH15600	R.40		AHH15727	A.18		AHH15824	E.3	
AHH15461	H.10		AHH15601	R.45		AHH15728	M.2		AHH15833	A.15	
AHH15462	H.10		AHH15602	R.45		AHH15730	G.1		AHH15838	R.10	
AHH15464	H.10		AHH15605	D.3		AHH5731	R.39		AHH15839	S.1	
AHH15467	H.10		AHH15606	D.3		AHH5732	R.39		AHH5841	E.2	
AHH15470	H.10		AHH15621	A.19		AHH5733	R.39		AHH15842	E.2	
AHH15474	R.20		AHH15623	A.19		AHH5734	R.39		AHH15875	M.6	
AHH15476	R.20		AHH15624	A.19		AHH5735	R.39		AHH5876	M.2	
AHH15477	R.20		AHH15025	A.20		AHH5736	R.39		AHH5877	M.2	
AHH15478	R.20		AHH15626	A.20		AHH5737	R.39		AHH5833	A.35	
AHH15479	R.20		AHH15627	M.5		AHH5738	R.39		AHH5891	A.32	
AHH15481	R.20		AHH15631	M.5		AHH5739	R.39		AHH5892	A.35	
AHH15482	R.20		AHH15633	M.5		AHH5740	R.39		AHH5897	K.4	
AHH15483	R.21		AHH15634	H.4		AHH5741	R.39		AHH5897	K.8	
AHH5484	R.21		AHH15650	R.39		AHH5742	R.39		AHH5902	A.31	
AHH15485	R.21		AHH15650	R.40		AHH5743	R.39		AHH5904	N.12	
AHH15486	R.20		AHH5652	R.39		AHH5744	R.39		AHH5910	R.46	
AHH15487	R.20		AHH5652	R.40		AHH5745	R.39		AHH5911	R.46	
AHH15488	R.20		AHH5653	R.40		AHH5746	R.39		AHH5912	R.46	
AHH15492	R.20		AHH5660	R.39		AHH5747	R.39		AHH5914	R.11	
AHH15494	R.20		AHH5661	R.39		AHH15748	R.10		AHH15914	R.44	
AHH15494	R.21		AHH5662	R.39		AHH5749	R.10		AHH5918	N.10	
AHH15495	R.43		AHH5663	R.39		AHH5750	R.46		AHH5920	N.10	
AHH15506	N.15		AHH5664	R.39		AHH5752	M.2		AHH5921	N.10	
AHH15507	N.13		AHH5664	R.40		AHH5753	M.2		AHH15924	Q.1	
AHH15508	N.13		AHH5665	R.39		AHH5754	M.2		AHH15925	K.4	
AHH5509	R.26		AHH5666	R.39		AHH5758	N.9		AHH5925	K.8	
AHH5510	R.26		AHH5667	R.39		AHH5759	R.43		AHH5927	K.5	
AHH15511	R.26		AHH15668	R.39		AHH5761	M.7		AHH5927	K.8	
AHH15512	R.26		AHH5669	R.39		AHH5762	E.4		AHH5929	K.5	

PART NUMBER INDEX—continued

Part Number	Page	Amdt. Number	Part Number	Page	Amdt. Number	Part Number	Page	Amdt. Number	Part Number	Page	Amdt. Number
AHH5929	K.8		AHH6016	J.1		AJA5072	N.10		AJH5057	N.9	
AHH5931	K.5		AHH6020	J.1		AJA5073	N.10		AJH5079	N.13	
AHH5931	K.9		AHH6021	J.1		AJA5081	N.5		AJH5082	M.3	
AHH5932	K.5		AHH6022	J.1		AJA5081	N.6		AJH5083	M.3	
AHH5932	K.9		AHH6023	J.1		AJA5081	N.7		AJH5084	M.3	
AHH5934	K.5		AHH6024	J.3		AJA5081	N.8		AJH5100	N.10	
AHH5934	K.9		AHH6025	J.2					AJH5133	M.3	
AHH5935	K.5		AHH6027	J.2					AJH5165	N.11	
AHH5935	K.9		AHH6027	J.4		AJC6014	J.4		AJH5176	O.1	
AHH5939	K.5		AHH6028	J.2					AJH5178	O.1	
AHH5939	K.9		AHH6030	J.3		AJD118	E.2		AJH5179	O.1	
AHH5940	K.5		AHH6031	J.4		AJD276	E.2		AJH5184	O.2	
AHH5940	K.9		AHH6032	J.4		AJD1012	R.45		AJH5185	O.2	
AHH5941	K.5		AHH6033	J.4		AJD1021	M.4		AJH5186	O.2	
AHH5941	K.9		AHH6035	J.3		AJD1042	D.5				
AHH5945	B.2		AHH6036	J.1		AJD1243	N.3				
AHH5946	M.1		AHH6037	J.1		AJD1744Z	R.44		AJJ279	S.1	
AHH5947	M.1		AHH6038	J.1		AJD2244C	N.11		AJJ281	S.1	
AHH5950	Q.1		AHH6039	J.1		AJD2245C	R.12		AJJ3125	R.39	
AHH5951	N.14		AHH6042	J.1		AJD2245ZP	R.14				
AHH5953	N.14		AHH6043	J.1		AJD2246C	R.12				
AHH5954	N.14		AHH6045	A.35		AJD2248C	R.39		AKC451	R.15	
AHH5956	M.5		AHH6046	A.35		AJD2446C	R.39		AKC453	R.15	
AHH5958	N.5		AHH6083	R.44		AJD3202Z	N.13		AKC454	R.15	
AHH5963	N.1		AHH6083	R.11		AJD4802N	H.8		AKC455	R.15	
AHH5964	N.1		AHH6118	N.11		AJD4802N	K.7		AKC458	R.15	
AHH5965	N.3		AHH6119	N.11		AJD6155	D.2				
AHH5969	N.14		AHH6120	N.14		AJD6155Z	D.2				
AHH5970	N.14		AHH6125	R.8		AJD6918	S.1		AKH492	R.40	
AHH5979	N.14		AHH6130	Q.1		AJD7042	A.19		AKH493	R.40	
AHH5982	R.44		AHH6131	Q.1		AJD7212	R.11		AKH494	R.40	
AHH5983	R.13		AHH6145	N.14		AJD7217	D.2		AKH495	R.40	
AHH5984	R.40		AHH6146	N.14		AJD7217	N.4		AKH496	R.40	
AHH5985	R.40		AHH6161	R.21		AJD7217	R.10		AKH497	R.40	
AHH5986	S.1		AHH6296	A.31		AJD7612	M.4		AKH498	R.40	
AHH5987	S.1		AHH6701	A.35		AJD7712	A.19		AKH499	R.40	
AHH5991	R.40		AHH7010	R.43		AJD7712	C.1		AKH500	R.40	
AHH5993	N.11		AHH7315	P.1		AJD8012Z	D.4		AKH501	R.40	
AHH6000	J.2		AHH7316	P.1		AJD8012Z	N.8		AKH502	R.40	
AHH6001	J.1		AHH7317	P.1		AJD8012Z	R.9		AKH503	R.40	
AHH6002	J.1		AHH7318	P.1		AJD8012Z	R.37		AKH504	R.40	
AHH6003	J.3		AHH8003	P.1		AJD8012Z	R.38		AKH505	R.40	
AHH6004	J.3		AHH8006	P.1		AJD8014Z	D.5		AKH506	R.40	
AHH6005	J.3		AHH8007	P.1		AJD8104Z	N.1		AKH511	R.40	
AHH6006	J.3		AHH8008	P.1		AJD8105N	H.4		AKH512	R.40	
AHH6007	J.2		AHH8009	P.1		AJD8172	R.35				
AHH6008	J.3		AHH8010	P.1		AJD8206Z	D.6		ALK3268	R.18	
AHH6009	J.3		AHH8011	P.1							
AHH6010	J.3		AHH8012	P.1							
AHH6011	J.2					AJG5016	M.3		AMK5607	N.3	
AHH6012	J.4		AJA5069	N.10		AJG5046	R.42		AMK8847	R.45	
AHH6013	J.1		AJA5071	N.10		AJG5047	R.42		AMK9958	S.1	

PART NUMBER INDEX—continued

Part Number	Page	Amdt. Number	Part Number	Page	Amdt. Number	Part Number	Page	Amdt. Number	Part Number	Page	Amdt. Number
ANK3458	N.13		ATB4212	K.6		ATB7072	H.5		ATB7352	H.2	
ANK4646	N.3		ATB4213	K.1		ATB7075	H.4		ATB7355	H.2	
ANK4646	R.15		ATB4213	K.6		ATB7078	H.4		ATB7386	H.2	
			ATB4218	K.1		ATB7079	H.4		ATB7354	H.3	
ARH52	C.1		ATB4218	K.6		ATB7102	H.2		ATB7391	H.3	
ARH57	R.41		ATB4219	K.1		ATB7102	H.6				
ARH58	R.41		ATB4219	K.6		ATB7103	H.2		ATC4257	K.1	
ARH59	R.41		ATB4232	K.6		ATB7103	H.6		ATC7084	H.1	
ARH63	A.17		ATB4233	K.6		ATB7104	H.2		ATC7084	H.5	
ARH65	A.17		ATB4236	K.6		ATB7104	H.6				
ARH113	A.35		ATB4237	K.6		ATB7105	H.2		AUA54	D.1	
ARH120	C.1		ATB4238	K.6		ATB7105	H.6		AUA154	D.1	
ARH154	C.1		ATB4239	K.6		ATB7106	H.2		AUA504	D.1	
ARH178	A.17		ATB4240	K.6		ATB7106	H.6		AUA508	D.1	
ARH181	A.31		ATB4241	K.6		ATB7107	H.2		AUA566	D.1	
ARH185	A.35		ATB4242	K.6		ATB7107	H.6		AUA585	D.1	
ARH192	A.17		ATB4243	K.6		ATB7108	H.2		AUA699	D.1	
ARH517	C.1		ATB4244	K.7		ATB7108	H.6		AUA839	D.1	
ARH883	C.1		ATB4245	K.6		ATB7123	H.1		AUA840	D.1	
ARH898	C.1		ATB4247	H.8		ATB7123	H.5		AUA847	D.1	
ARH899	C.1		ATB4247	K.7		ATB7181	H.1		AUA868	D.1	
ARH900	C.1		ATB4251	K.7		ATB7181	H.5		AUA869	D.1	
ARH901	C.1		ATB4252	K.7		ATB7201	H.8		AUA875	D.1	
ARH902	C.1		ATB4253	K.7		ATB7204	H.2		AUA878	D.1	
ARH981	C.1		ATB4255	K.7		ATB7209	H.4		AUA887	D.1	
ARH1050	C.1		ATB4256	K.7		ATB7224	H.1		AUA1405	D.1	
ARH1053	A.17		ATB4257	K.7		ATB7225	H.1		AUA1416	D.1	
ARH1112	A.35		ATB4258	K.6		ATB7289	H.1		AUA1421	D.1	
ARH1113	A.35		ATB4259	K.6		ATB7289	H.5		AUA1422	D.1	
ARH1542	C.1		ATB4268	K.1		ATB7240	H.2		AUA1433	D.1	
ARH1697	C.2		ATB4269	K.1		ATB7240	H.6		AUA1435	D.1	
ARH1698	C.2		ATB7059	H.2		ATB7246	H.7		AUA1442	D.1	
ARH1700	C.1		ATB7059	H.6		ATB7248	H.7		AUA1447	D.1	
ARH1701	C.2		ATB7062	H.1		ATB7249	H.7		AUA1455	D.1	
ARH1845	A.17		ATB7062	H.5		ATB7252	H.7		AUA1456	D.1	
ARH1846	A.17		ATB7064	H.2		ATB7253	H.7		AUA1459	D.1	
			ATB7064	H.6		ATB7254	H.8		AUA1464	D.1	
ARJ509	C.1		ATB7065	H.2		ATB7256	H.7		AUA1468	D.1	
			ATB7065	H.6		ATB7257	H.7		AUA1478	D.2	
ATA7043	H.2		ATB7066	H.2		ATB7258	H.7		AUA1479	D.1	
ATA7043	H.6		ATB7066	H.6		ATB7258	H.8		AUA1486	D.2	
ATA7232	H.2		ATB7067	H.2		ATB7262	H.8		AUA1661	D.1	
ATA7232	H.6		ATB7067	H.6		ATB7263	H.8		AUA1662	D.1	
			ATB7068	H.2		ATB7264	H.8		AUA1785	D.1	
ATB4069	K.1		ATB7068	H.6		ATB7265	H.8		AUA1822	D.1	
ATB4098	K.2		ATB7069	H.2		ATB7268	H.7		AUA1863	D.1	
ATB4181	K.2		ATB7069	H.6		ATB7269	H.7		AUA4080	D.1	
ATB4208	K.1		ATB7070	H.2		ATB7279	H.2		AUA4081	D.1	
ATB4208	K.6		ATB7070	H.6		ATB7280	H.1		AUA4082	D.1	
ATB4209	K.1		ATB7071	H.2		ATB7282	H.1		AUA4083	D.1	
ATB4209	K.6		ATB7071	H.6		ATB7283	H.1		AUA4850	D.1	
ATB4212	K.1		ATB7072	H.1		ATB7288	H.5		AUA5059	D.1	

PART NUMBER INDEX—continued

Part Number	Page	Amdt. Number	Part Number	Page	Amdt. Number	Part Number	Page	Amdt. Number	Part Number	Page	Amdt. Number
AUA5060	D.1		AUC2141	D.4		AUC8052	D.4		BCA4303	N.6	
AUA5078	D.1		AUC2156	D.6		AUC8114	D.4		BCA4311	N.9	
AUA6012	D.1		AUC2175	D.4		AUC8170	D.6		BCA4326	N.3	
AUA6017	D.1		AUC2198	D.5		AUC8182	D.4		BCA4342	N.9	
AUA6020	D.1		AUC2381	D.4		AUC9066	D.4		BCA4501	N.3	
AUA6032	D.1		AUC2381	D.5		AUC9067	D.4				
AUA6034	D.1		AUC2402	D.6					BFS323	N.9	
AUA6036	D.1		AUC2451	D.5		AUD1005	D.4		BFS355	N.7	
			AUC2521	D.5		AUD1045	D.4		BFS380	N.10	
AUB521	D.1		AUC2669	D.5		AUD1295	D.4		BFS380	N.11	
AUB6004	D.1		AUC2669	D.6		AUD2283	D.6		BFS382	N.9	
AUB6015	D.1		AUC2698	D.4		AUD2285	D.6		BFS382	N.10	
AUB6022	D.1		AUC3071	D.4		AUD9045	D.4		BFS382	N.11	
AUB6029	D.1		AUC3116	D.5					BFS410	N.5	
AUB6034	D.1		AUC3119	D.4		1B1063	A.9		BFS410	N.6	
AUB6045	D.1		AUC3202	D.6		1B1063	A.30		BFS411	N.6	
AUB6071	D.1		AUC3230	D.4		1B1735	A.9		BFS414	N.5	
AUB6097	D.1		AUC3231	D.4		1B1735	A.30		BFS987	N.14	
			AUC3232	D.4		1B2925	A.6		BFS989	N.9	
AUC943	D.4		AUC3233	D.4		1B3363	F.3		BFS989	N.11	
AUC1006	D.6		AUC3242	D.4		1B3664	A.6				
AUC1123	D.6		AUC3242	D.5		1B3664	A.27		BHA4060	O.1	
AUC1147	D.6		AUC3471	D.5		1B3701	E.4		BHA4066	R.43	
AUC1151	D.4		AUC3472	D.5		1B4399	K.6		BHA4067	S.1	
AUC1152	D.6		AUC3495	D.5		1B7240	H.2		BHA4072	E.3	
AUC1158	D.4		AUC3496	D.5		1B7240	H.6		BHA4073	E.4	
AUC1249	D.4		AUC4260	D.6		1B8036	P.1		BHA4075	N.9	
AUC1250	D.4		AUC4261	D.6		1B8037	P.1		BHA4081	O.2	
AUC1335	D.5		AUC4334	D.6		1B8038	P.1		BHA4082	R.11	
AUC1358	D.5		AUC4387	D.4		1B8039	P.1		BHA4082	R.44	
AUC1384	D.6		AUC4612	D.5		1B8077	P.1		BHA4110	O.2	
AUC1387	D.6		AUC4612	D.6		1B8078	P.1		BHA4116	N.4	
AUC1388	D.6		AUC4667	D.5		1B8995	S.1		BHA4117	N.15	
AUC1389	D.6		AUC4713	D.5		1B8997	S.1		BHA4132	R.44	
AUC1501	D.5		AUC4730	D.5		1B9007	N.12		BHA4133	N.15	
AUC1534	D.6		AUC4732	D.5		1B9008	N.12		BHA4139	M.5	
AUC1557	D.6		AUC4770	D.5		1B9138	O.1		BHA4140	N.1	
AUC1832	D.6		AUC4771	D.5		1B9141	O.1		BHA4147	N.1	
AUC1863	D.6		AUC4781	D.5					BHA4151	N.13	
AUC1867	D.6		AUC4782	D.5		11B5086	E.3		BHA4153	N.10	
AUC1923	D.6		AUC4900	D.4		11B5166	S.1		BHA4157	M.4	
AUC1980	D.6		AUC4915	D.6					BHA4158	N.11	
AUC2057	D.4		AUC4916	D.4		14B1730	R.37		BHA4165	P.1	
AUC2106	D.5		AUC5002	D.5		14B2685	R.4		BHA4166	P.1	
AUC2114	D.4		AUC5004	D.4		14B2846	R.18		BHA4220	O.1	
AUC2117	D.4		AUC5004	D.5		14B5596	N.13		BHA4221	O.1	
AUC2119	D.4		AUC5009	D.4		14B5597	N.13		BHA4226	O.1	
AUC2120	D.4		AUC5009	D.5		14B5862	R.42		BHA4228	N.11	
AUC2121	D.4		AUC5011	D.5					BHA4229	N.11	
AUC2122	D.4		AUC5091	D.4		BCA4046	M.3		BHA4230	N.11	
AUC2130	D.5		AUC5092	D.5		BCA4079	O.1		BHA4231	N.11	
AUC2139	D.6		AUC6033	D.4		BCA4302	N.5		BHA4235	N.5	

PART NUMBER INDEX—continued

Part Number	Page	Amdt. Number	Part Number	Page	Amdt. Number	Part Number	Page	Amdt. Number	Part Number	Page	Amdt. Number
BHA4235	N.6		BTB167	K.3		CMZ0410	H.4		FNN107	H.5	
BHA4235	N.7		BTB198	K.1		CMZ0410	R.25		FNN206	E.3	
BHA4235	N.8		BTB216	H.1		CMZ0412	R.2		FNN207	N.1	
BHA4251	R.44		BTB216	H.5		CMZ0412	R.5		FNN412	K.1	
BHA4251	H.4		BTB217	H.1		CMZ0412	R.9		FNN504	F.2	
BHA4255	R.44		BTB217	H.5		CMZ0412	R.14		FNN2412	K.1	
			BTB252	H.7		CMZ0416	R.8				
BLS106	E.4		BTB263	H.1		CMZ0416	R.40		FNP205	F.4	
BLS106	H.8		BTB263	H.5		CMZ0418	K.4		FNP205	J.4	
BLS106	K.7		BTB328	H.1		CMZ0418	K.8				
BLS108	F.5		BTB328	H.5		CMZ0420	R.8		FNZ103	A.17	
BLS109	F.3		BTB384	K.1		CMZ0420	R.14		FNZ103	C.2	
BLS110	F.2		BTB385	K.1		CMZ0516	A.16		FNZ103	D.7	
BLS110	F.4		BTB386	K.1					FNZ103	M.8	
			BTB768	K.1		CNZ102	B.3		FNZ103	N.3	
			BTB768	K.6		CNZ102	R.10		FNZ103	N.4	
BMK192	E.2		BTB768	K.6		CNZ102	R.18		FNZ103	N.8	
BMK391	N.5					CNZ102	R.42		FNZ103	N.9	
BMK403	N.14		BTC280	K.6		CNZ102			FNZ103	N.11	
BMK924	J.1								FNZ103	N.13	
			BXS0708	S.1		CTZ403	R.10		FNZ103	N.14	
BRP614	H.8		BXS0910	S.1		CTZ403	R.31		FNZ103	N.15	
BRP616	H.8		BXS1112	S.1		CTZ603	R.35		FNZ103	O.2	
BRP906	R.3					CTZ604	R.31		FNZ103	R.1	
BRP906	R.8		5C2436	A.26		CTZ803	Q.1		FNZ103	R.2	
						CTZ804	R.2		FNZ103	R.5	
BTB102	K.1		CA1056	F.4					FNZ103	R.6	
BTB103	K.1					1D1963	B.2		FNZ103	R.7	
BTB104	K.1		CCN212	J.2					FNZ103	R.10	
BTB104	K.2		CCN240	F.1		5D4200	R.36		FNZ103	R.14	
BTB106	K.1								FNZ103	R.18	
BTB108	K.3		CFP375	R.44		8D5768	N.13		FNZ103	R.31	
BTB114	K.2								FNZ103	R.35	
BTB115	K.2		CIIR0507	N.3		11D5264	M.5		FNZ103	R.41	
BTB124	K.1								FNZ103	R.42	
BTB125	K.1		CHS2510	N.11		17D11	A.10		FNZ103	R.45	
BTB126	K.3		CHS2513	F.1		17D11	A.28		FNZ103	R.46	
									FNZ104	A.17	
BTB127	K.3		CLZ0512	E.2		DAP0829	J.2		FNZ104	A.18	
BTB128	K.3		CLZ0512	M.1					FNZ104	A.20	
BTB134	K.7		CLZ0515	E.3		FEZ105	E.3		FNZ104	B.2	
BTB135	K.7		CLZ0515	M.2		FEZ105	M.4		FNZ104	D.2	
BTB142	K.2		CLZ0517	E.2					FNZ104	D.3	
BTB143	K.2		CLZ0517	E.4		FHS0411	M.5		FNZ104	H.8	
BTB145	K.1					FHS2513	A.5		FNZ104	K.4	
BTB145	K.2		CMP0204	R.16		FHS2513	A.26		FNZ104	K.7	
BTB149	K.1		CMP0307	R.12					FNZ104	K.8	
BTB150	H.1					FNN105	A.6		FNZ104	M.1	
BTB150	H.5		CMZ0204	R.16		FNN105	A.8		FNZ104	M.2	
BTB151	H.2		CMZ0810	R.10		FNN105	A.26		FNZ104	M.5	
BTB153	H.2		CMZ0820	R.31		FNN105	A.29		FNZ104	M.6	
BTB153	H.7		CMZ0408	R.9		FNN105	J.2		FNZ104	M.7	
BTB166	K.3		CMZ0410	H.2		FNN107	H.1		FNZ104		

PART NUMBER INDEX—continued

Part Number	Page	Amdt. Number	Part Number	Page	Amdt. Number	Part Number	Page	Amdt. Number	Part Number	Page	Amdt. Number
FNZ104	N.12		FNZ106	H.5		1G752	A.1		1G3268	F.3	
FNZ104	N.13		FNZ106	H.7		1G752	A.21		1G3331	F.3	
FNZ104	O.1		FNZ106	H.10		1G765	A.3		1G3492	F.3	
FNZ104	R.2		FNZ106	K.4		1G765	A.21		1G3530	F.2	
FNZ104	R.3		FNZ106	K.8		1G1167	A.3		1G3576	F.3	
FNZ104	R.5		FNZ106	M.1		1G1167	A.21		1G3577	F.3	
FNZ104	R.6		FNZ106	M.2		1G1282	A.6		1G3578	F.3	
FNZ104	R.8		FNZ106	M.3		1G1282	A.27		1G3579	F.3	
FNZ104	R.18		FNZ106	Q.1		1G1319	A.4		1G3580	F.3	
FNZ104	R.19		FNZ106	R.20		1G1319	A.25		1G3581	F.3	
FNZ104	R.26		FNZ106	R.21		1G1452	A.8		1G3584	F.1	
FNZ104	R.44		FNZ107	H.10		1G1452	A.29		1G3586	F.2	
FNZ105	A.6		FNZ107	L.1		1G1783	A.10		1G3594	F.3	
FNZ105	A.7		FNZ107	R.20		1G2062	A.11		1G3597	F.3	
FNZ105	A.16		FNZ108	K.5		1G2062	A.32		1G3598	F.3	
FNZ105	A.17		FNZ108	K.9		1G2285	A.11		1G3611	F.1	
FNZ105	A.18		FNZ108	L.1		1G2285	A.31		1G3656	F.1	
FNZ105	A.22		FNZ108	R.20		1G2290	A.9		1G3658	F.1	
FNZ105	A.27		FNZ108	R.21		1G2295	A.5		1G3666	F.1	
FNZ105	A.28		FNZ204	D.2		1G2295	A.23		1G3667	F.4	
FNZ105	B.2		FNZ204	N.1		1G2302	A.11		1G3704	F.5	
FNZ105	F.1		FNZ204	N.15		1G2302	A.31		1G3706	F.4	
FNZ105	H.1		FNZ205	E.3		1G2331	A.3		1G3708	F.2	
FNZ105	H.5		FNZ205	H.10		1G2331	A.24		1G3709	F.5	
FNZ105	H.10		FNZ205	M.4		1G2332	A.3		1G3711	F.4	
FNZ105	J.2		FNZ205	R.19		1G2332	A.24		1G3712	F.1	
FNZ105	J.3		FNZ206	A.13		1G2342	A.6		1G3713	F.4	
FNZ105	J.4		FNZ206	M.5		1G2342	A.27		1G3802	F.4	
FNZ105	K.3		FNZ206	M.6		1G2395	A.25		1G3809	F.1	
FNZ105	K.4		FNZ206	R.18		1G2398	A.7		1G3810	F.1	
FNZ105	K.5		FNZ208	R.21		1G2398	A.28		1G3863	F.4	
FNZ105	K.7		FNZ208	R.32		1G2399	A.7		1G3927	F.4	
FNZ105	K.8		FNZ210	J.1		1G2399	A.28		1G7372	S.1	
FNZ105	K.9		FNZ308	K.4		1G2401	A.7		1G7435	H.2	
FNZ105	M.1		FNZ308	K.8		1G2401	A.28		1G7436	H.2	
FNZ105	M.2		FNZ407	J.2		1G2417	A.13		1G7439	H.2	
FNZ105	M.5		FNZ408	K.4		1G2418	A.13		1G7439	H.6	
FNZ105	M.6		FNZ408	K.8		1G2425	A.7		1G7444	H.1	
FNZ105	M.7		FNZ505	F.4		1G2425	A.28		1G7444	H.5	
FNZ105	M.8		FNZ506	A.3		1G2508	A.9		1G7445	H.1	
FNZ105	N.9		FNZ506	A.11		1G2522	A.5		1G7445	H.5	
FNZ105	N.11		FNZ506	A.25		1G2522	A.26		1G7448	H.1	
FNZ105	N.12		FNZ506	A.28		1G2602	A.7		1G7448	H.5	
FNZ105	N.15		FNZ506	K.1		1G2602	A.25		1G7465	H.1	
FNZ105	Q.1		FNZ506	K.2		1G2013	A.4		1G7465	H.5	
FNZ105	Q.2		FNZ507	H.4		1G2716	A.11		1G7582	H.1	
FNZ105	R.20		FNZ612	F.2		1G2874	A.4		1G7582	H.5	
FNZ105	R.21		FNZ612	H.2		1G2874	A.25		1G7584	H.1	
FNZ105	R.43		FNZ612	H.6		1G2953	A.6		1G7584	H.5	
FNZ106	A.13					1G2953	A.27		1G7600	H.1	
FNZ106	H.1					1G2984	A.4		1G7600	H.5	
FNZ106	H.4		FWP106	R.34		1G2984	A.25		1G9198	N.5	

PART NUMBER INDEX—continued

Part Number	Page	Amdt. Number	Part Number	Page	Amdt. Number	Part Number	Page	Amdt. Number	Part Number	Page	Amdt. Number
1G9840	R.20		8G8879	K.3		11G80	A.7		11G9093	N.12	
1G9872	R.20		8G8420	E.2		11G81	A.4				
1G9872	R.21		8G8452	J.2		11G81	A.25		14G800	R.45	
1G233103	A.24		8G8495	M.4		11G93	A.7		14G800	R.46	
1G233203	A.24		8G8641	K.3		11G93	A.26		14G3722	N.13	
			8G8694	M.3		11G95	A.7		14G6451	R.45	
4G2541	O.1		8G8903	H.8		11G95	A.28				
4G2541	R.3		8G8903	K.7		11G96	A.2		24G1345	N.13	
4G2541	R.8		8G9124	R.38		11G96	A.20		24G1346	R.15	
4G2541	R.43		8G9125	R.38		11G97	A.2				
			8G9126	R.39		11G97	A.23				
8G500	F.4		8G9127	R.38		11G136	A.3		48G31	A.5	
8G536	B.3		8G9128	R.38		11G136	A.24		48G127	F.1	
8G555	H.3		8G9129	R.38		11G176	A.13		48G129	F.1	
8G555	H.7		8G217510	A.3		11G176	A.33		48G138	A.12	
8G555	K.6		8G217520	A.3		11G193	A.5		48G143	A.13	
8G612	A.6		8G217530	A.3		11G193	A.26		48G157	A.1	
8G612	A.26		8G217540	A.3		11G193	A.26		48G159	A.1	
8G619	A.9		8G228510	A.3		11G200	A.11		48G160	A.12	
8G619	A.30		8G228510	A.24		11G200	A.31		48G179	F.1	
8G688	A.9		8G228520	A.3		11G203	A.3		48G186	A.1	
8G688	A.30		8G228520	A.24		11G203	A.24		48G187	A.3	
8G698	A.11		8G228530	A.3		11G241	A.4		48G206	F.3	
8G698	A.31		8G228530	A.24		11G241	A.25		48G207	A.5	
8G724	A.11		8G228540	A.3		11G291	A.6		48G207	A.26	
8G724	A.32		8G228540	A.24		11G318	A.5		48G212	A.20	
8G742	A.11		8G228810	A.3		11G1167	A.24		48G213	A.21	
8G742	A.31		8G228820	A.3		11G2007	N.3		48G214	A.21	
8G2175	A.3		8G228830	A.3		11G3022	F.3		48G215	A.26	
8G2176	A.1		8G228840	A.3		11G3026	F.3		48G216	A.26	
8G2176	A.21		8G232310	A.24		11G3027	F.3		48G217	A.21	
8G2282	A.35		8G232320	A.24		11G3028	F.3		48G218	A.21	
8G2283	A.3		8G232330	A.24		11G3029	F.3		48G219	A.21	
8G2283	A.21		8G232340	A.24		11G3063	F.3		48G220	A.34	
8G2285	A.24		8G233510	A.24		11G3064	F.3		48G220	A.14	
8G2288	A.3		8G233520	A.24		11G3079	F.2		48G221	A.30	
8G2323	A.24		8G233530	A.24		11G3092	F.3		48G222	A.5	
8G2325	A.35		8G233540	A.24		11G3127	F.3		48G226	A.21	
8G2373	A.21					11G3128	F.3		48G242	A.14	
8G2373	A.14		11G10	A.8		11G3129	F.3		48G242	A.34	
8G2373	A.34		11G10	A.20		11G3131	F.2		48G252	F.1	
8G8133	G.1		11G12	A.8		11G3132	F.2		48G258	A.24	
8G8104	K.7		11G12	A.20		11G3133	F.2				
8G8195	H.9		11G14	A.1		11G3134	F.2		88G210	A.27	
8G8197	H.9		11G14	A.21		11G3135	F.2				
8G8210	E.4		11G15	A.18		11G3137	F.2		1H353	A.1	
8G8224	M.3		11G15	A.20		11G3140	F.2		1H353	A.21	
8G8243	H.4		11G45	A.5		11G3187	F.2		1H591	A.7	
8G8249	E.4		11G45	A.26		11G3193	F.4		1H591	A.28	
8G8306	H.4		11G62	A.5		11G3195	F.4		1H605	A.3	
8G8307	H.4		11G62	A.26		11G3196	F.4		1H605	A.24	
8G8348	E.1		11G64	A.0		11G3199	F.4		1H651	A.4	
						11G3223	F.3		1H651	A.25	

PART NUMBER INDEX—continued

Part Number	Page	Amdt. Number	Part Number	Page	Amdt. Number	Part Number	Page	Amdt. Number	Part Number	Page	Amdt. Number
1H686	A.5		1H1152	A.31		2H4245	B.3		3H2648	S.1	
1H701	A.3		1H1153	A.11		2H4246	B.3		3H2695	B.2	
1H703	A.3		1H1153	A.31		2H4646	A.6		3H2696	B.2	
1H721	A.7		1H1198	A.8		2H4810	E.4		3H2825	N.3	
1H721	A.28		1H1198	A.29		2H4905	A.4		3H2865	F.3	
1H723	A.5		1H1319	A.5		2H4905	A.25		3H2962	N.5	
1H723	A.26		1H1319	A.26		2H4992	N.14		3H2962	N.6	
1H727	A.6		1H1320	A.5		2H5003	R.30		3H2962	N.7	
1H727	A.27		1H1320	A.26		2H5003	R.38		3H2963	J.1	
1H730	A.3		1H1321	A.5		2H5003	R.37		3H3098	N.3	
1H730	A.24		1H1321	A.26		2H5004	R.31				
1H756	A.8		1H1323	A.5		2H5004	R.33		7H1709	P.1	
1H756	A.29		1H1329	A.6		2H5004	R.36		7H1764	A.9	
1H765	A.4		1H1339	A.6		2H5004	R.37		7H1764	A.30	
1H765	A.25		1H1339	A.27		2H5004	R.38		7H1792	A.8	
1H811	B.1		1H1419	A.5		2H8041	R.43		7H1792	A.29	
1H813	A.1		1H1420	A.5					7H1793	A.8	
1H813	A.21		1H3087	F.4		3H544	M.3		7H1793	A.29	
1H821	A.7		1H3092	F.2		3H549	M.3		7H1805	P.1	
1H821	A.25		1H3138	F.1		3H550	E.2		7H1806	P.1	
1H822	A.4		1H3151	F.3		3H550	H.4		7H1948	A.9	
1H822	A.25		1H3241	F.2		3H550	M.3		7H1948	A.30	
1H840	A.7		1H3257	F.2		3H550	M.5		7H1952	A.9	
1H840	A.28		1H3258	F.2		3H554	E.2		7H1952	A.30	
1H841	B.3		1H3273	F.1		3H576	A.2		7H1965	A.9	
1H871	A.7		1H3275	F.1		3H576	A.21		7H1965	A.30	
1H871	A.28		1H3277	F.3		3H868	E.4		7H1968	A.9	
1H873	A.7		1H3304	F.2		3H876	E.3		7H1968	A.30	
1H898	A.9		1H3305	F.3		3H949	N.3		7H1969	A.9	
1H898	A.30		1H3315	F.5		3H950	A.18		7H1969	A.30	
1H919	B.3		1H3362	F.1		3H950	N.3		7H1980	R.45	
1H922	A.9		1H3364	F.1		3H952	N.2		7H1985	R.15	
1H922	A.30		1H3364	H.1		3H1031	N.5		7H1986	R.45	
1H998	A.11		1H3364	H.5		3H1031	N.6		7H1993	R.45	
1H1001	A.12		1H3368	F.4		3H1031	N.7		7H1995	R.45	
1H1001	A.33		1H082210	A.4		3H1457	N.12		7H1996	R.45	
1H1025	A.30		1H082210	A.25		3H1831	N.10		7H1997	R.45	
1H1052	A.10		1H082220	A.4		3H1835	N.4		7H1998	R.45	
1H1052	A.30		1H082220	A.25		3H1836	N.4		7H3001	E.1	
1H1053	A.10					3H1894	N.3		7H3048	E.1	
1H1053	A.30		2H326	A.4		3H1911	N.4		7H3067	E.1	
1H1056	A.10		2H326	A.25		3H2006	A.6		7H3069	E.1	
1H1056	A.30		2H1082	D.3		3H2006	A.27		7H3078	E.1	
1H1059	A.5		2H2617	N.9		3H2098	A.10		7H3085	E.1	
1H1067	A.9		2H2617	N.14		3H2138	B.1		7H3169	E.1	
1H1068	A.9		2H2646	S.1		3H2138	B.2		7H3171	E.1	
1H1068	A.30		2H2704	N.14		3H2287	H.4		7H3193	E.1	
1H1069	A.9		2H3383	R.42		3H2287	M.5		7H3196	E.1	
1H1069	A.30		2H3406	N.14		3H2287	M.6		7H3197	E.1	
1H1149	A.30		2H4185	N.3		3H2424	M.5		7H3213	E.1	
1H1149	A.31		2H4243	B.3		3H2428	H.4		7H3214	E.1	
1H1152	A.11		2H4244	B.3		3H2428	K.3		7H3277	E.1	

PART NUMBER INDEX—continued

Part Number	Page	Amdt. Number	Part Number	Page	Amdt. Number	Part Number	Page	Amdt. Number	Part Number	Page	Amdt. Number
7H3565	J.2		7H5390	N.1		7H8203	K.7		7H8355	M.3	
7H3762	J.2		7H5483	N.5		7H8206	H.8		7H8358	N.5	
7H3763	J.2		7H5522	N.4		7H8206	K.7		7H9781	R.13	
7H3858	G.1		7H5529	N.2		7H8207	H.8		7H9827	R.1	
7H3863	G.1		7H5536	N.9		7H8207	K.7		7H9827	R.5	
7H3865	G.1		7H5582	N.5		7H8209	K.7		7H9828	R.1	
7H3877	G.1		7H5582	N.6		7H8210	K.7		7H9828	R.5	
7H3878	G.1		7H5582	N.7		7H8212	H.8		7H9830	N.3	
7H3879	G.1		7H5582	N.8		7H8212	K.7		7H9832	R.44	
7H3880	G.1		7H5582	N.11		7H8221	K.7		7H9833	R.44	
7H4419	E.4		7H6255	J.2		7H8222	H.8		7H9834	R.44	
7H4451	E.3		7H6834	M.3		7H8222	K.7		7H9864	R.33	
7H4726	E.3		7H6836	R.45		7H8223	M.4		7H9864	R.36	
7H4751	E.3		7H6838	N.5		7H8224	M.4		7H9866	R.33	
7H4752	E.3		7H6838	N.6		7H8226	M.4		7H9866	R.36	
7H4756	E.3		7H6838	N.7		7H8227	M.4		7H9868	R.33	
7H4757	E.3		7H6887	N.2		7H8229	M.4		7H9868	R.36	
7H4944	E.3		7H7003	E.2		7H8231	M.4		7H9914	R.15	
7H4973	E.4		7H7004	E.2		7H8232	M.4		7H9958	R.14	
7H4976	E.3		7H7022	M.3		7H8233	M.4		7H9960	R.30	
7H5028	N.1		7H7368	H.4		7H8235	M.4		7H9962	R.32	
7H5031	N.1		7H7398	H.4		7H8237	M.4		7H9962	R.35	
7H5038	N.2		7H7394	M.3		7H8239	H.8		7H9964	R.31	
7H5039	N.2		7H7485	M.3		7H8240	H.8				
7H5040	N.2		7H7489	M.3		7H8241	H.8		12H14	A.2	
7H5041	N.2		7H7500	E.2		7H8243	H.8		12H15	A.2	
7H5042	N.2		7H7847	H.4		7H8244	H.8		12H16	A.2	
7H5043	N.2		7H7923	H.4		7H8245	H.8		12H17	A.2	
7H5045	N.2		7H7925	M.3		7H8246	H.8		12H18	A.6	
7H5046	N.2		7H7928	H.4		7H8247	H.8		12H37	A.6	
7H5047	N.2		7H7930	H.4		7H8252	H.8		12H37	A.26	
7H5048	N.2		7H7931	H.4		7H8252	K.7		12H51	B.2	
7H5049	N.2		7H7932	H.4		7H8253	H.8		12H54	A.3	
7H5050	N.2		7H7935	H.4		7H8254	H.8		12H67	A.11	
7H5051	N.2		7H7936	H.4		7H8255	H.8		12H67	A.31	
7H5066	N.4		7H7939	H.4		7H8257	K.7		12H71	A.10	
7H5067	N.4		7H7940	H.4		7H8258	H.8		12H71	A.28	
7H5071	N.1		7H7942	H.4		7H8259	H.8		12H74	A.9	
7H5086	B.1		7H7943	H.4		7H8260	H.8		12H74	A.30	
7H5121	N.10		7H7954	E.2		7H8261	K.7		12H90	B.3	
7H5122	N.10		7H7956	E.2		7H8262	H.8		12H91	A.3	
7H5123	N.8		7H7957	E.2		7H8263	H.8		12H93	A.3	
7H5128	N.4		7H7958	E.2		7H8264	M.4		12H152	A.7	
7H5130	N.13		7H7959	E.2		7H8265	M.4		12H152	A.28	
7H5156	N.2		7H7973	H.4		7H8266	M.4		12H156	A.7	
7H5182	N.10		7H7974	E.2		7H8267	M.4		12H156	A.26	
7H5185	N.10		7H7983	E.2		7H8268	M.4		12H165	A.3	
7H5202	N.10		7H8201	H.8		7H8269	M.4		12H178	A.1	
7H5376	N.1		7H8201	K.7		7H8270	H.8		12H179	A.2	
7H5387	N.1		7H8202	H.8		7H8270	K.7		12H373	B.1	
7H5388	N.1		7H8202	K.7		7H8338	N.5		12H389	A.26	
7H5389	N.1		7H8203	H.8		7H8338	N.7		12H390	A.26	

PART NUMBER INDEX—continued

Part Number	Page	Amdt. Number	Part Number	Page	Amdt. Number	Part Number	Page	Amdt. Number	Part Number	Page	Amdt. Number
12H395	A.30		12H001520	A.2		12H045513	A.22		17H1446	A.30	
12H397	A.30		12H001530	A.2		12H045516	A.22		17H1447	A.9	
12H398	A.29		12H001540	A.2		12H045523	A.22		17H1447	A.30	
12H424	A.24		12H001610	A.2		12H045526	A.22		17H1448	A.9	
12H426	A.24		12H001620	A.2		12H045533	A.22		17H1448	A.30	
12H428	A.24		12H001630	A.2		12H045536	A.22		17H1449	A.9	
12H433	A.6		12H001640	A.2		12H045543	A.22		17H1449	A.30	
12H433	A.20		12H001702	A.2		12H045546	A.22		17H1481	O.2	
12H434	A.26		12H001704	A.2		12H085510	A.22		17H1556	A.9	
12H435	A.26		12H001706	A.2		12H085520	A.22		17H1556	A.30	
12H436	A.26		12H017803	A.1(a)		12H085530	A.22		17H1558	A.9	
12H437	A.22		12H017806	A.1(a)		12H085540	A.22		17H1558	A.30	
12H439	A.26		12H017810	A.1					17H1559	A.9	
12H440	A.22		12H017813	A.1(a)		13H21	E.2		17H1559	R.30	
12H441	A.22		12H017816	A.1(a)		13H23	N.10		17H1574	A.45	
12H442	A.22		12H017820	A.1		13H219	N.1		17H1586	O.1	
12H455	A.20		12H017823	A.1(a)		13H227	R.13		17H1595	R.45	
12H458	B.1		12H017826	A.1(a)		13H231	R.13		17H1608	R.45	
12H525	A.33		12H017830	A.1(a)		13H346	N.8		17H1658	O.1	
12H579	E.1		12H017833	A.1(a)		13H425	N.1		17H1712	A.8	
12H587	A.22		12H017836	A.1(a)		13H559	N.2		17H1712	A.29	
12H771	A.25		12H017840	A.1		13H772	A.11		17H1802	R.45	
12H773	A.22		12H017902	A.2		13H772	A.32		17H1821	O.2	
12H775	A.22		12H017904	A.2		13H923	A.13		17H1940	R.46	
12H850	B.1		12H017906	A.2		13H923	A.33		17H2400	R.45	
12H855	A.22		12H043703	A.22		13H1984	E.4		17H2401	R.45	
12H866	A.6		12H043706	A.22		17H1	R.45		17H2403	R.45	
12H866	A.24		12H043713	A.22		17H31	A.4		17H2724	E.1	
12H941	A.7		12H043716	A.22		17H31	A.25		17H3723	M.3	
12H941	A.28		12H043723	A.22		17H292	O.1		17H3811	J.2	
12H950	A.7		12H043726	A.22		17H293	O.1		17H3818	G.1	
12H950	A.28		12H043733	A.22		17H295	O.1		17H3819	G.1	
12H981	A.7		12H043736	A.22		17H298	O.2		17H3839	J.2	
12H981	A.28		12H043743	A.22		17H299	O.2		17H3840	J.2	
12H984	A.8		12H043746	A.22		17H341	A.14		17H3841	J.2	
12H984	A.29		12H043910	A.22		17H341	A.34		17H3873	J.2	
12H1178	A.10		12H043920	A.22		17H343	A.4		17H3874	J.2	
12H1178	A.31		12H043930	A.22		17H343	A.25		17H3875	J.2	
12H1306	A.4		12H043940	A.22		17H500	O.1		17H3925	J.2	
12H1306	A.25		12H044010	A.22		17H518	R.45				
12H1387	A.2		12H044020	A.22		17H630	O.1		17H3928	G.1	
12H1387	A.23		12H044030	A.22		17H756	O.1		17H3955	G.1	
12H001203	A.1(a)		12H044040	A.22		17H757	O.1		17H4010	E.4	
12H001206	A.1(a)		12H044110	A.22		17H827	R.45		17H4021	E.4	
12H001223	A.1(a)		12H044120	A.22		17H846	A.9		17H4123	E.3	
12H001233	A.1(a)		12H044130	A.22		17H846	A.30		17H4508	E.3	
12H001243	A.1(a)		12H044140	A.22		17H932	O.1		17H4509	E.3	
12H001410	A.2		12H044202	A.22		17H932	O.2		17H4510	E.3	
12H001420	A.2		12H044204	A.22		17H1304	O.1		17H4544	E.3	
12H001430	A.2		12H044206	A.22		17H1343	O.1		17H4561	E.3	
12H001440	A.2		12H045503	A.22		17H1346	O.1		17H4712	E.4	
12H001510	A.2		12H045506	A.22		17H1446	A.9		17H4755	E.3	

PART NUMBER INDEX—continued

Part Number	Page	Amdt. Number	Part Number	Page	Amdt. Number	Part Number	Page	Amdt. Number	Part Number	Page	Amdt. Number
17H4827	E.3		17H5442	N.13		17H8146	R.44		27H5253	N.5	
17H4831	E.3		17H5444	N.2		17H8147	R.44		27H5253	N.6	
17H5064	B.1		17H5469	B.1		17H8148	R.44		27H5253	N.7	
17H5065	B.1		17H5483	N.3		17H9510	R.37		27H5278	N.3	
17H5066	B.1		17H5484	N.3		17H9735	R.14		27H5354	N.5	
17H5069	B.1		17H5485	N.3		17H9736	R.14		27H5354	N.6	
17H5071	B.1		17H5512	N.13		17H9737	R.14		27H5354	N.7	
17H5095	B.1		17H5530	N.1		17H9738	R.14		27H5354	N.8	
17H5106	B.1		17H5531	B.1		17H9739	R.14		27H5511	N.3	
17H5106	B.2		17H5532	B.1		17H9740	R.14		27H7304	H.4	
17H5118	B.1		17H5543	N.7		17H9742	R.14		27H7305	H.4	
17H5145	N.5		17H5546	N.7		17H9743	R.14		27H9022	R.12	
17H5145	N.7		17H6425	J.1		17H9744	R.15		27H9023	R.13	
17H5147	N.5		17H6538	J.4		17H9930	R.15		27H9025	R.13	
17H5147	N.6		17H6539	J.4		17H9934	R.16		27H9026	R.13	
17H5147	N.7		17H6679	A.4		17H9935	R.16		27H9054	R.13	
17H5147	N.8		17H6679	A.25		17H9980	R.15		27H9055	R.13	
17H5205	N.5		17H6680	A.4		22H12	E.1		27H9824	R.12	
17H5205	N.6		17H6680	A.25		22H14	E.1		27H9863	R.44	
17H5205	N.7		17H6861	M.3		22H35	F.2				
17H5216	N.11		17H6823	N.1		22H51	F.3		37H613	O.1	
17H5217	N.1		17H6880	J.4		22H54	F.3		27H996	A.9	
17H5230	N.8		17H6881	J.4		22H56	F.1		37H996	A.27	
17H5231	N.5		17H7108	M.5		22H73	F.1		37H5169	N.13	
17H5231	N.6		17H7109	M.3		22H83	F.3		37H5181	N.14	
17H5231	N.7		17H7141	M.5		22H124	F.1		37H5190	N.5	
17H5231	N.8		17H7203	H.4		22H475	F.1		37H5190	N.6	
17H5232	N.5		17H7324	M.3					37H5190	N.7	
17H5232	N.7		17H7480	M.3		27H387	O.1		37H5190	N.8	
17H5255	N.13		17H7526	M.5		27H387	O.2		37H5271	N.5	
17H5273	N.8		17H7571	M.3		27H602	R.45		37H5271	N.6	
17H5277	N.8		17H7679	K.3		27H972	O.2		37H5271	N.7	
17H5301	R.42		17H7702	M.3		27H1187	R.44		37H5271	N.10	
17H5302	R.42		17H7703	M.3		27H1190	R.45		37H5272	B.1	
17H5306	N.5		17H7705	M.3		27H1391	O.1		37H5273	B.1	
17H5306	N.7		17H7707	H.4		27H1391	O.2		37H5294	N.9	
17H5307	N.9		17H7729	K.3		27H1393	O.1		37H5308	N.13	
17H5375	N.7		17H7730	K.3		27H1480	R.46		37H5409	B.1	
17H5388	N.13		17H7732	K.3		27H1801	O.1		37H5410	N.10	
17H5390	N.11		17H7733	K.3		27H1801	O.3		37H5426	R.42	
17H5394	N.5		17H7734	K.3		27H1860	O.1		37H5487	N.13	
17H5394	N.6		17H7735	K.3		27H1861	O.1		37H5445	B.1	
17H5394	N.7		17H7736	K.3		27H2204	B.2		37H5452	N.9	
17H5396	N.13		17H7737	K.3		27H2204	N.5		37H5452	N.11	
17H5400	N.9		17H7827	K.3		27H2204	N.7		37H5459	N.11	
17H5401	N.9		17H7873	K.3		27H3253	N.6		37H5490	N.9	
17H5422	B.1		17H7874	K.3		27H3279	E.1		37H5520	N.10	
17H5423	B.1		17H7878	E.2		27H3338	N.8		37H5525	N.9	
17H5431	N.13		17H7886	M.3		27H3574	N.1		37H5527	N.10	
17H5432	N.13		17H7926	K.3		27H3597	N.1		37H5528	N.10	
17H5433	N.1		17H8112	E.3		27H4648	K.3		37H5531	N.10	
17H5441	N.13		17H8113	E.3		27H4649	K.3		37H5538	N.5	

PART NUMBER INDEX—continued

Part Number	Page	Amdt. Number	Part Number	Page	Amdt. Number	Part Number	Page	Amdt. Number	Part Number	Page	Amdt. Number
37H5588	N.7		47H5395	N.1		57H5440	R.43		HBZ0513	A.7	
37H9708	R.13		47H5417	N.14		57H5443	R.43		HBZ0513	A.12	
37H9716	R.12		47H5418	N.14		57H5477	B.1		HBZ0513	A.32	
37H9730	R.12		47H5419	N.14		57H5478	B.1		HBZ0514	A.28	
37H9776	R.17		47H5479	N.11					HBZ0515	F.4	
37H9915	R.43		47H5480	N.9		67H5008	N.2		HBZ0518	J.3	
37H9917	R.43		47H5496	N.14		67H5010	N.2		HBZ0520	F.4	
37H9946	R.44		47H5504	N.9		67H5012	N.2		IIBZ0522	A.17	
37H9947	R.44		47H5505	N.9		67H5013	N.2		HBZ0522	A.26	
37H9950	R.32		47H5506	N.9		67H5014	N.2		HBZ0610	R.12	
37H9964	R.32		47H5507	N.9		67H5024	N.8		HBZ0611	K.1	
37H9967	R.44		47H5508	N.9		67H5025	N.8		HBZ0616	R.20	
37H9968	R.44		47H5522	N.14		67H5026	N.8		HBZ0620	R.20	
37H9970	R.44		47H5528	N.5		67H5028	N.5		HBZ0622	N.1	
37H9971	R.44		47H5564	N.8		67H5028	N.6		HBZ0624	M.3	
37H9972	R.44		47H5570	B.1		67H5028	N.7		HBZ0628	M.2	
37H9973	R.44		47H5589	N.4		67H5029	N.8		HBZ0728	L.1	
37H9974	R.43		47H5633	N.9					HBZ0730	R.21	
			47H9510	R.44		97H474	D.3		HBZ0732	R.21	
47H5100	N.2		47H9651	N.11		97H499	R.31		HBZ0826	A.14	
47H5124	N.5					97H499	R.38				
47H5124	N.6		57H5010	N.8		97H626	N.1		HCS1217	C.1	
47H5125	N.5		57H5047	B.2		97H717	R.38		HCS0404	R.43	
47H5125	N.6		57H5049	B.2		97H2031	L.1				
47H5126	N.5		57H5050	B.2		97H2048	D.3		HCZ0510	F.1	
47H5126	N.6		57H5051	B.1		97H2049	D.3		HCZ0615	E.2	
47H5126	N.7		57H5081	N.3		97H2050	D.3				
47H5126	N.8		57H5084	N.1		97H2056	D.3		HNS0406	A.3	
47H5164	B.2		57H5085	N.1		97H2627	S.1		HNS0406	A.24	
47H5166	N.14		57H5128	N.10		97H2797	J.4		HNS0407	A.8	
47H5249	B.1		57H5133	B.2					HNS0407	A.29	
47H5250	B.1		57H5258	N.9		H7336	R.11		HNS0407	F.2	
47H5339	N.2		57H5259	N.11					HNS0408	A.8	
47H5340	N.2		57H5292	N.8		HBN0412	4.4		HNS0408	A.29	
47H5341	N.2		57H5336	N.7		HBN0412	A.25		HNS0414	A.8	
47H5342	N.2		57H5341	N.1		HBN0509	F.4		HNS0414	A.29	
47H5346	N.2		57H5353	N.8		HBN0512	K.3		HNS0506	O.1	
47H5355	N.11		57H5368	N.8		HBN0522	F.4				
47H5356	N.11		57H5368	N.10		HBN0610	J.2				
47H5357	N.11		57H5382	N.8					HPZ0404	C.1	
47H5358	N.11		57H5399	N.11		HBZ0408	M.5		HPZ0405	A.18	
47H5359	N.11		57H5400	N.11		HBZ0408	R.18		HPZ0406	O.1	
47H5360	N.11		57H5401	N.11		HBZ0409	D.2		HPZ0508	M.2	
47H5362	N.11		57H5406	B.2		HBZ0416	D.3		HPZ0508	R.3	
47H5363	N.11		57H5420	B.2		HBZ0422	A.15				
47H5365	N.5		57H5421	B.2		HBZ0422	D.3		HZS0403	A.7	
47H5388	N.1		57H5435	R.42		HBZ0436	M.1		HZS0403	R.28	
47H5389	N.1		57H5436	R.43		HBZ0510	A.10		HZS0404	A.9	
47H5390	N.1		57H5437	R.43		HBZ0510	F.4		HZS0404	A.17	
47H5391	N.1		57H5438	R.42		HBZ0510	M.7		HZS0404	A.27	
47H5393	N.1		57H5439	R.42		HBZ0512	A.28		HZS0404	R.17	
47H5394	N.1		57H5440	R.43		HBZ0512	K.4		HZS0405	A.18	
						HBZ0512	K.9		HZS0405	A.19	

PART NUMBER INDEX—continued

Part Number	Page	Amdt. Number	Part Number	Page	Amdt. Number	Part Number	Page	Amdt. Number	Part Number	Page	Amdt. Number
HZS0405	B.2		HZS0506	M.1		2K4936	O.2		2K8159	A.15	
HZS0405	F.1		HZS0506	M.2		2K4954	A.2		2K8160	H.2	
HZS0405	M.7		HZS0506	M.6		2K4954	A.21		2K8160	H.7	
HZS0405	N.3		HZS0506	N.9		2K4958	A.7		2K8169	A.1	
HZS0405	N.10		HZS0506	Q.2		2K4958	A.28		2K8169	A.21	
HZS0405	R.2		HZS0506	R.43		2K4958	F.1		2K8568	A.6	
HZS0405	R.3		HZS0507	A.16		2K4971	F.4		2K8568	A.27	
HZS0405	R.7		HZS0507	C.1		2K4974	A.11		2K8623	A.1	
HZS0405	R.8		HZS0507	E.1		2K4974	A.31		2K8623	A.21	
HZS0405	R.18		HZS0507	K.4		2K4975	A.2		2K8645	N.1	
HZS0405	R.26		HZS0507	K.8		2K4975	A.21		2K8686	E.2	
HZS0406	A.7		HZS0507	M.1		2K4982	A.8		2K8686	M.5	
HZS0406	A.13		HZS0508	A.4		2K3982	A.29		2K8686	M.6	
HZS0406	A.28		HZS0508	A.23		2K4992	A.1		2K8938	H.1	
HZS0406	A.23		HZS0508	J.2		2K4993	A.21		2K8938	H.5	
HZS0406	A.35		HZS0508	K.4		2K5163	A.10		2K8960	F.3	
HZS0406	O.2		HZS0508	K.8		2K5163	A.30		2K9932	A.10	
HZS0406	R.44		HZS0508	M.1		2K5164	A.10		2K9932	A.28	
HZS0407	F.5		HZS0508	Q.2		2K5164	A.30				
HZS0407	H.8		HZS0508	R.2		2K5197	A.7		6K26	A.3	
HZS0407	K.7		HZS0508	R.6		2K5197	A.28		6K26	A.25	
HZS0407	N.12		HZS0509	A.31		2K5319	A.2		6K287	H.2	
HZS0407	R.46		HZS0509	A.11		2K5319	A.3		6K287	H.6	
HZS0416	B.2		HZS0509	J.2		2K5319	A.6		6K499	H.1	
HZS0504	K.4		HZS0510	E.3		2K5319	A.8		6K499	H.5	
HZS0504	K.9		HZS0510	M.4		2K5319	A.10		6K501	A.10	
HZS0504	M.7		HZS0510	Q.2		2K5319	A.28		6K501	A.30	
HZS0504	N.15		HZS0510	R.2		2K5319	A.24		6K503	H.1	
HZS0504	J.4		HZS0510	R.7		2K5319	A.27		6K503	H.5	
HZS0505	A.16		HZS0606	A.14		2K5319	A.30		6K528	F.2	
HZS0505	A.17		HZS0606	Q.1		2K5319	A.31		6K529	F.1	
HZS0505	D.3					2K5319	E.1		6K629	A.3	
HZS0505	H.10		JEN0708	S.1		2K5319	F.4		6K629	A.24	
HZS0505	J.3		JEN0910	S.1		2K5830	F.1		6K638	A.1	
HZS0505	K.5		JEN1112	S.1		2K6534	F.4		6K638	A.8	
HZS0505	K.9					2K6544	H.1		6K638	A.9	
HZS0505	M.1		1K51	A.1		2K6544	H.5		6K638	A.21	
HZS0505	M.2		1K51	A.19		2K6633	A.4		6K638	A.30	
HZS0505	M.5		1K372	A.5		2K6633	A.25		6K638	A.31	
HZS0505	M.7		1K372	A.26		2K6804	A.5		6K639	A.9	
HZS0505	N.12		1K800	A.5		2K6804	A.26		6K639	A.30	
HZS0505	R.19		1K800	A.26		2K7140	A.7		6K649	B.3	
HZS0506	A.2		1K2141	A.10		2K7140	A.28		6K650	B.3	
HZS0506	A.7		1K2141	A.30		2K7435	H.1		6K842	H.1	
HZS0506	A.10		1K2142	A.10		2K7435	H.5		6K842	H.5	
HZS0506	A.16		1K2142	A.10		2K7440	A.7		6K871	A.5	
HZS0506	A.23		1K2142	A.30		2K7440	A.25		6K871	A.20	
HZS0506	A.28					2K7477	H.3		6K872	A.5	
HZS0506	A.31		2K1356	F.1		2K7477	H.7		6K872	A.23	
HZS0506	D.7		2K4608	A.1		2K7993	H.1		6K873	A.5	
HZS0506	J.1		2K4608	A.5		2K7993	H.5		6K873	A.26	
HZS0506	J.3		2K4608	A.26		2K8158	F.1		6K874	A.1	

PART NUMBER INDEX—continued

Part Number	Page	Amdt. Number	Part Number	Page	Amdt. Number	Part Number	Page	Amdt. Number	Part Number	Page	Amdt. Number
6K874	A.21		53K126	R.1		LFS109	R.33		LWN304	A.8	
6K875	H.2		53K126	R.2		LFS109	R.36		LWN304	A.13	
6K875	H.6		53K126	R.3					LWN304	A.27	
6K878	A.5		53K126	R.7		LNN208	A.21		LWN304	A.29	
6K878	A.26		53K126	R.10					LWN304	A.33	
6K881	A.3		53K126	R.18		LNZ103	R.18		LWN304	F.2	
6K881	A.24		53K126	R.41		LNZ104	A.31		LWN305	A.2	
6K884	F.3		53K126	R.43		LNZ104	D.3		LWN305	A.3	
6K885	F.1		53K147	F.1		LNZ104	O.2		LWN305	A.5	
6K886	F.1		53K149	N.2		LNZ104	R.10		LWN305	A.8	
6K899	A.1		53K155	R.46		LNZ105	A.16		LWN305	A.10	
6K899	A.21		53K162	F.1		LNZ105	G.1		LWN305	A.20	
6K907	F.1		53K257	A.1		LNZ105	M.7		LWN305	A.21	
6K908	F.1		53K257	A.21		LNZ105	H.8		LWN305	A.23	
6K9012	F.1		53K371	A.6		LNZ106	K.4		LWN305	A.26	
6K9777	R.39		53K371	A.26		LNZ106	K.8		LWN305	A.28	
			53K490	A.5		LNZ106	M.7		LWN305	E.1	
11K399	A.6		53K490	A.26		LNZ107	K.9		LWN305	F.4	
11K399	A.27		53K531	A.5		LNZ108	A.16		LWN305	H.4	
11K8276	M.3		53K1206	A.26		LNZ110	K.1		LWN306	A.11	
11K9308	N.3		53K1206	A.11		LNZ110	K.6		LWN306	A.31	
			53K1433	A.31		LNZ203	R.18		LWN307	H.1	
21K8564	M.3		53K1433	A.11		LNZ204	R.16		LWN307	H.5	
			53K1433	F.5		LNZ204	R.44		LWN404	A.3	
51K245	A.1		53K1776	A.7		LNZ205	A.12		LWN404	A.21	
51K245	A.21		53K1776	A.28		LNZ205	A.32		LWN404	F.2	
51K246	A.1		53K1777	A.7		LNZ205	E.3		LWN404	F.4	
51K246	A.21		53K1777	A.28		LNZ205	J.2		LWN404	M.3	
51K267	A.1		53K2017	B.2		LNZ205	M.3		LWN404	H.8	
51K267	A.21		53K2171	A.1		LNZ205	M.4		LWN404	K.7	
51K330	K.6		53K2171	A.21		LNZ205	R.43		LWN405	R.43	
51K371	A.5		53K2172	F.1		LNZ206	A.10		LWN406	R.13	
51K371	A.26		53K2236	A.13		LNZ206	A.28		LWN504	R.15	
51K881	A.5					LNZ206	F.4		LWN505	K.3	
51K881	A.26		5L286	N.14		LNZ210	K.1		LWN506	M.5	
51H886	H.1		5L289	N.14		LNZ210	K.6		LWN510	E.2	
51K886	H.5		5L321	N.10		LNZ310	K.1		LWN510	M.5	
51K893	A.5								LWN510	M.6	
51K893	A.26		LFP116	R.31		LWN204	A.7		LWN606	E.3	
51K894	A.1		LFP116	R.38		LWN204	A.8				
51K894	A.21		LFP810	R.9		LWN204	A.25		LWZ202	B.3	
51K1022	A.3		LFP1500	R.31		LWN204	A.26		LWZ202	R.10	
51K1022	A.25		LFP1525	R.30		LWN204	B.2		LWZ202	R.18	
51K1030	F.4					LWN204	F.5		LWZ202	R.42	
51K1031	F.4		LFS100	R.31		LWN205	A.7		LWZ203	A.17	
51K1178	A.5		LFS100	R.33		LWN205	A.25		LWZ203	C.1	
51K1178	A.26		LFS100	R.35		LWN205	J.2		LWZ203	D.7	
51K1380	H.4		LFS100	R.37		LWN206	N.2		LWZ203	M.8	
51K1382	A.3		LFS100	R.38		LWN208	A.1		LWZ203	N.3	
51K1388	A.3		LFS107	R.31		LWN208	L.1		LWZ203	N.4	
51K1388	A.24		LFS107	R.37		LWN208	A.21		LWZ203	N.8	
51K1774	A.24		LFS107	R.38		LWN304	A.6		LWZ203	N.9	

PART NUMBER INDEX—continued

Part Number	Page	Amdt. Number	Part Number	Page	Amdt. Number	Part Number	Page	Amdt. Number	Part Number	Page	Amdt. Number
LWZ203	N.10		LWZ204	R.5		LWZ206	E.2		LWZ505	K.6	
LWZ203	N.11		LWZ204	R.6		LWZ206	E.4				
LWZ203	N.13		LWZ204	R.7		LWZ206	H.4		MTZ603	R.35	
LWZ203	N.14		LWZ204	R.8		LWZ206	H.7				
LWZ203	N.15		LWZ204	R.17		LWZ206	H.10		PCR0207	O.2	
LWZ203	O.2		LWZ204	R.18		LWZ206	K.1		PCR0307	M.5	
LWZ203	R.1		LWZ204	R.19		LWZ206	K.4		PCR0307	M.6	
LWZ203	R.2		LWZ204	R.20		LWZ206	K.8		PCR0307	O.2	
LWZ203	R.3		LWZ204	R.45		LWZ206	M.1		PCR0309	M.5	
LWZ203	R.4		LWZ205	A.7		LWZ206	M.2		PCR0311	A.18	
LWZ203	R.1		LWZ205	A.13		LWZ206	M.3		PCR0311	E.3	
LWZ203	R.2		LWZ205	A.16		LWZ206	M.6		PCR0311	M.5	
LWZ203	R.3		LWZ205	A.17		LWZ206	Q.1		PCR0311	M.6	
LWZ203	R.5		LWZ205	A.18		LWZ206	R.12		PCR0311	N.15	
LWZ203	R.7		LWZ205	A.28		LWZ206	R.20		PCR0407	N.15	
LWZ203	R.8		LWZ205	B.2		LWZ206	R.21		PCR0409	E.2	
LWZ203	R.9		LWZ205	C.1		LWZ207	H.10		PCR0409	E.3	
LWZ203	R.10		LWZ205	D.3		LWZ207	K.3		PCR0411	E.2	
LWZ203	R.14		LWZ205	D.7		LWZ207	K.7		PCR0411	E.3	
LWZ203	R.18		LWZ205	G.1		LWZ207	L.1		PCR0507	M.8	
LWZ203	R.31		LWZ205	H.1		LWZ207	N.1		PCR0511	D.3	
LWZ203	R.34		LWZ205	H.5		LWZ207	R.20		PCR0607	N.15	
LWZ203	R.37		LWZ205	H.		LWZ208	A.1		PCR0609	N.13	
LWZ203	R.38		LWZ205	J.1		LWZ208	A.16		PCR0709	O.1	
LWZ203	R.41		LWZ205	J.2		LWZ208	A.21		PCR0809	R.35	
LWZ203	R.42		LWZ205	J.3		LWZ208	K.4		PCR0811	N.14	
LWZ203	R.43		LWZ205	J.4		LWZ208	K.5		PCR0813	R.46	
LWZ203	R.45		LWZ205	K.4		LWZ208	K.8		PCR1007	N.14	
LWZ203	R.46		LWZ205	K.5		LWZ208	K.9		PCR1011	N.14	
LWZ204	A.15		LWZ205	K.7		LWZ208	R.20				
LWZ204	A.16		LWZ205	K.8		LWZ208	R.21		PFS103	R.11	
LWZ204	A.17		LWZ205	K.9		LWZ212	F.2		PFS104	R.43	
LWZ204	B.2		LWZ205	M.1		LWZ212	H.2		PFS106	C.1	
LWZ204	C.1		LWZ205	M.2		LWZ212	H.6		PFS326	N.10	
LWZ204	D.2		LWZ205	M.5		LWZ302	O.1				
LWZ204	D.3		LWZ205	M.6		LWZ302	O.2		PJZ602	R.45	
LWZ204	K.4		LWZ205	M.7		LWZ303	R.45				
LWZ204	K.8		LWZ205	M.8		LWZ304	F.1		PMP0310	R.39	
LWZ204	M.1		LWZ205	N.9		LWZ305	A.7		PMP0508	N.7	
LWZ204	M.2		LWZ205	N.11		LWZ305	F.1		PMP0514	R.44	
LWZ204	M.5		LWZ205	N.12		LWZ305	F.4		PMP0518	N.9	
LWZ204	M.6		LWZ205	N.15		LWZ305	K.3				
LWZ204	M.7		LWZ205	Q.1		LWZ305	R.25		PMZ0208	R.10	
LWZ204	N.3		LWZ205	Q.2		LWZ306	A.7		PMZ0208	R.18	
LWZ204	N.10		LWZ205	R.2		LWZ306	A.25		PMZ0210	R.42	
LWZ204	N.12		LWZ205	R.3		LWZ306	A.28		PMZ0216	B.3	
LWZ204	N.13		LWZ205	R.4		LWZ403	R.2		PMZ0304	R.37	
LWZ204	O.1		LWZ205	R.7		LWZ403	R.5		PMZ0305	R.11	
LWZ204	Q.1		LWZ205	R.19		LWZ403	R.13		PMZ0306	M.8	
LWZ204	R.2		LWZ205	R.20		LWZ403	O.1		PMZ0306	N.9	
LWZ204	R.3		LWZ206	A.13		LWZ403	R.45		PMZ0306	N.14	
LWZ204	R.4		LWZ206	A.16		LWZ404	N.11		PMZ0306	N.15	

PART NUMBER INDEX—continued

Part Number	Page	Amdt. Number	Part Number	Page	Amdt. Number	Part Number	Page	Amdt. Number	Part Number	Page	Amdt. Number
PMZ0306	R.14		PWN105	A.6		PWZ105	R.19		PWZ205	M.2	
PMZ0306	R.37		PWN105	A.8		PWZ105	R.44		PWZ205	M.7	
PMZ0307	N.3		PWN105	A.26		PWZ106	A.13		PWZ205	N.11	
PMZ0307	O.2		PWN105	A.29		PWZ106	H.8		PWZ205	Q.2	
PMZ0308	A.17		PWN106	A.5		PWZ106	K.4		PWZ205	R.2	
PMZ0308	A.31		PWN106	A.6		PWZ106	K.8		PWZ205	R.3	
PMZ0308	C.1		PWN106	A.23		PWZ106	R.12		PWZ205	R.7	
PMZ0308	N.3		PWN106	A.12		PWZ106	R.20		PWZ205	R.43	
PMZ0308	N.4		PWN106	A.32		PWZ106	R.21		PWZ206	H.10	
PMZ0308	N.9					PWZ107	J.2		PWZ206	Q.1	
PMZ0308	N.10		PWP105	N.9		PWZ107	K.5		PWZ206	Q.2	
PMZ0308	N.14		PWP105	J.4		PWZ107	K.9		PWZ206	R.21	
PMZ0308	N.15					PWZ107	L.1		PWZ208	R.20	
PMZ0308	R.1		PWZ102	B.3		PWZ107	M.7		PWZ208	R.21	
PMZ0308	R.5		PWZ103	C.2		PWZ107	R.20				
PMZ0308	R.11		PWZ103	M.7		PWZ110	K.1		RFN110	R.14	
PMZ0308	R.13		PWZ103	N.8		PWZ110	K.6		RFN204	R.43	
PMZ0308	R.10		PWZ103	R.41		PWZ202	R.10		RFN405	N.15	
PMZ0310	N.3		PWZ104	A.17		PWZ202	R.18				
PMZ0310	N.4		PWZ104	A.18		PWZ202	R.35		RFR103	A.20	
PMZ0310	N.8		PWZ104	A.19		PWZ203	Q.1		RFR103	N.9	
PMZ0310	R.3		PWZ104	A.35		PWZ203	R.1		RFR104	N.10	
PMZ0310	R.7		PWZ104	D.3		PWZ203	R.2		RFR110	N.8	
PMZ0314	N.14		PWZ104	D.7		PWZ203	R.5		RFR208	R.43	
PMZ0316	D.7		PWZ104	M.7		PWZ203	R.6		RFR209	R.43	
PMZ0316	M.8		PWZ104	N.1		PWZ203	R.7				
PMZ0316	R.46		PWZ104	N.3		PWZ203	R.10		RMP0204	R.15	
PMZ0320	N.4		PWZ104	O.2		PWZ203	R.12		RMP0307	R.39	
PMZ0408	R.19		PWZ104	Q.1		PWZ203	R.14		RMP0308	R.15	
PMZ0416	R.39		PWZ104	R.3		PWZ203	R.18		RMP0310	R.42	
PMZ0422	A.16		PWZ104	R.4		PWZ203	R.31		RMP0310	R.43	
PMZ0508	J.3		PWZ104	R.7		PWZ203	R.35		RMP0312	R.12	
PMZ0508	N.12		PWZ104	R.19		PWZ203	R.38		RMP0316	R.12	
			PWZ105	A.7		PWZ203	R.41				
PPZ0308	R.41		PWZ105	A.15		PWZ203	R.43		RMZ0310	R.2	
			PWZ105	A.24		PWZ204	B.2		RMZ0310	R.5	
PTP604	R.40		PWZ105	A.25		PWZ204	C.2				
PTP604	R.43		PWZ105	C.1		PWZ204	M.7		RTP404	R.31	
PTP605	R.32		PWZ105	E.2		PWZ204	N.10		RTP404	R.37	
PTP606	R.38		PWZ105	E.3		PWZ204	N.13		RTP405	R.34	
			PWZ105	E.4		PWZ204	R.2		RTP407	R.30	
PTZ603	R.10		PWZ105	F.1		PWZ204	R.3		RTP603	R.38	
PTZ603	R.18		PWZ105	M.1		PWZ204	R.6		RTP605	R.31	
PTZ604	N.10		PWZ105	M.2		PWZ204	R.7		RTP606	R.35	
PTZ604	R.3		PWZ105	M.4		PWZ204	R.8		RTP804	R.43	
PTZ604	R.8		PWZ105	M.7		PWZ204	R.16		RTP805	R.32	
PTZ604	R.35		PWZ105	Q.2		PWZ204	R.17		RTP806	R.44	
PTZ806	N.15		PWZ105	R.2		PWZ204	R.18				
PTZ1003	Q.1		PWZ105	R.4		PWZ204	R.41		RTZ804	R.2	
PTZ1005	Q.1		PWZ105	R.6		PWZ205	B.2		RTZ804	R.5	
			PWZ105	R.10		PWZ205	J.3				
PWN104	B.2		PWZ105	R.18		PWZ205	M.1		UHN105	J.2	

PART NUMBER INDEX—continued

Part Number	Page	Amdt. Number	Part Number	Page	Amdt. Number	Part Number	Page	Amdt. Number	Part Number	Page	Amdt. Number
UHN205	J.2										
UHN400	G.1										
UHN405	J.2										
UHN405	K.1										
UHN405	K.8										
WKN304	A.3										
WKN304	A.24										
WKN304	F.3										
WKN404	F.4										
WKN404	N.11										
WKN404	F.5										
WKN505	A.3										
WKN505	A.24										
WKN506	K.1										
WKN506	K.6										
X10546	C.1										
ZCS0505	A.28										

