

9608A

SERVICE PARTS LIST

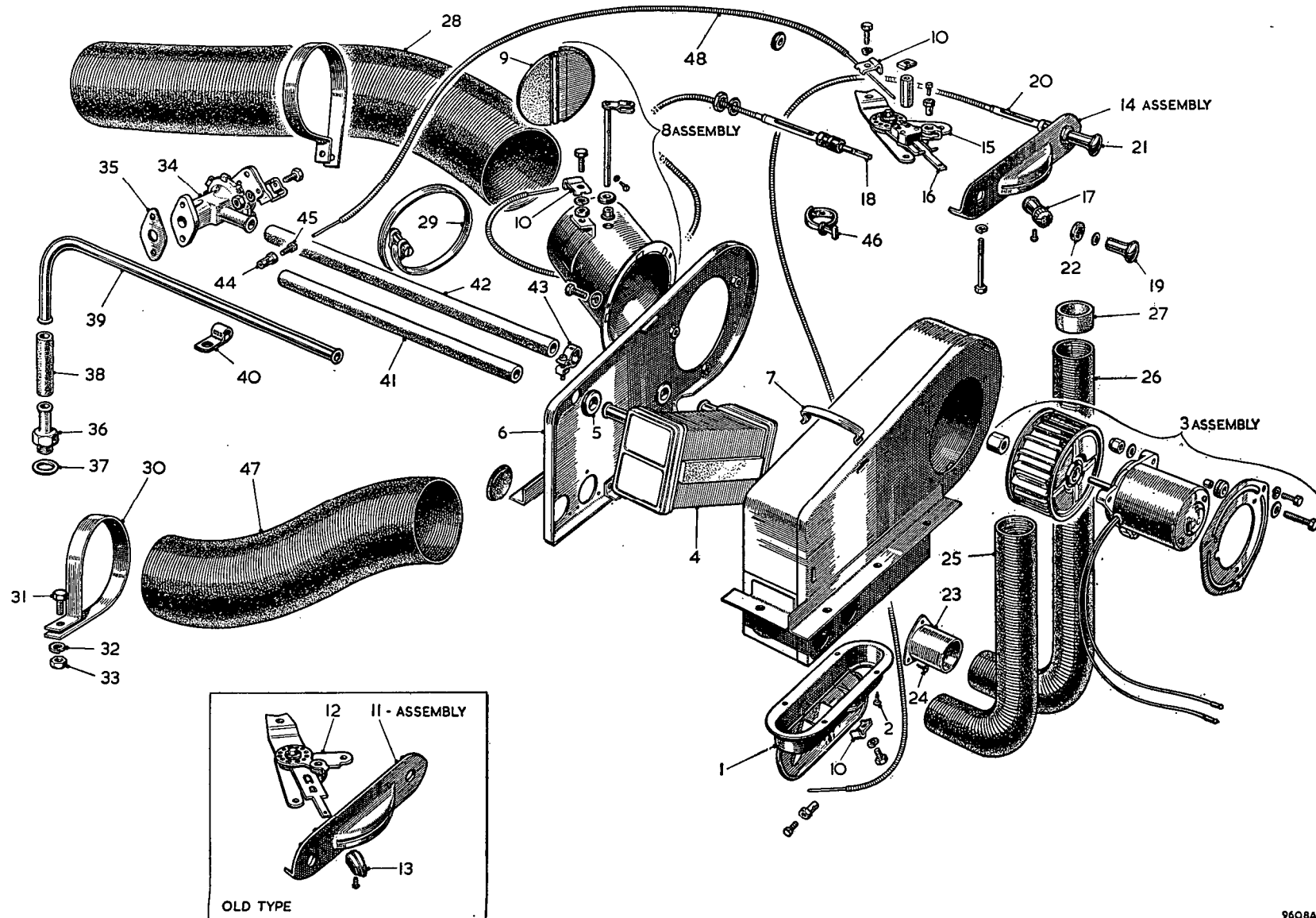
THE M.G. Series MGA 1500

Item No.	DESCRIPTION	Commencing (C) 10101		Qty. per Vehicle		Unit of Issue	Type of Vehicle	MODIFICATIONS			REMARKS
		Part Number	Illus. No.	RHD	LHD			New Part Number	Change Point	Amdt. No.	
	HEATING AND VENTILATING EQUIPMENT (Optional Extra)										
1	Heater kit assembly	AHH5422		1	1						
2	Heater unit assembly	AHH5423		1	1						
3	Outlet door assembly	7H1995	RS1	1	1						
4	Screw fixing outlet door	7H1988	RS2	4	4						
5	Motor and runner	17H1	RS3	1	1						
6	Radiator	17H2	RS4	1	1						
7	Grommet	7H1993	RS5	2	2						
8	Side cover—heater	7H1998	RS6	1	1						
9	Clip for side cover	7H1999	RS7	4	4						
10	Flap valve assembly	7H1994	RS8	1	1						
11	Flap	7H1996	RS9	1	1						
12	Clamp for cable	7H1997	RS10	3	3						
13	Lever control assembly (less cables)	AHH5424	RS11	1	1						
14	Escutcheon—heater control unit	17H518	RS22	1	1						First type finished No number available
15	Lever control	7H1984	RS12	1	1						
16	Knob	7H1981	RS13	1	1						
17	Lever control assembly (less cables)		RS14	1	1			AHH5531			
18	Escutcheon—heater control unit	17H518	RS22	1	1						Second type
19	Lever control sub-assembly		RS15	1	1			7H1985			
20	Lever and switch assembly		RS16	1	1			7H1986			
21	Knob		RS17	1	1			7H1980			
22	Air control cable and knob assembly	AHH5601	RS18	1	1						
23	Knob	17H827	RS19	1	1						
24	Demist control cable and knob assembly	AHH5602	RS20	1	1						
25	Knob	17H827	RS21	1	1						
26	Demister tubes	AHH5426	RS23	2	2						
27	Screw fixing demister tubes (cadmium-plated)	AHH5591	RS24	6	6						
28	Air hose—14"	AHH5427	RS25	1	1						
29	Air hose—25"	AHH5428	RS26	1	1						
30	Adaptors	AHH5429	RS27	2	2						
31	Air hose—31"	AHH5430	RS28	1	1						
32	Clip	14G800	RS29	1	1						
33	Clip—large	AHH5714	RS30	2	2						
34	Screw for clip	PMZ0816	RS31	2	2						
35	Washer (spring) for clip screw	LWZ203	RS32	2	2						
36	Nut for clip screw	FNZ103	RS33	2	2						
37	Water valve assembly	AHH5432	RS34	1	1			BHA4132	Com. (C) 61160		
38	Gasket for water valve	AHH5433	RS35	1	1						
39	Screw for water valve	AHH5591		2	2						
40	Screw for water valve	7H1990		1	1						
41	Nut for water valve	7H1991		1	1						
42	Washer (spring) for water valve	7H1992		1	1						

SERVICE PARTS LIST

THE M.G. Series MGA 1500

Item No.	DESCRIPTION	Commencing (C) 10101		Qty. per Vehicle		Unit of Issue	Type of Vehicle	MODIFICATIONS			REMARKS
		Part Number	Illus. No.	RHD	LHD			New Part Number	Change Point	Amdt. No.	
	Heater and Ventilating Equipment—continued										
1	Water union	AMK8847	RS36	1	1						
2	Washer	300398	RS37	1	1						
3	Water pipe—2½"	AHH5434	RS38	1	1						
4	Water return pipe	AHH5435	RS39	1	1						
5	Clip	AHH5436	RS40	2	2						
6	Water hose—12½"	AHH5437	RS41	1	1						
7	Water hose—14"	AHH5438	RS42	1	1						
8	Hose clip	301140	RS43	6	6						
9	Trunnion	14G6451	RS44	4/3	4/3						
10	Trunnion			1	1			14A5753	Com. (C) 61160		Quantity reduced at (C) 61160
11	Screw for trunnion (cadmium-plated)	AHH5593	RS45	4	4						
12	Cable clip	AHH5440	RS46	1	1						
13	Air hose	AHH5394	RS47	1	1						
14	Wire cable assembly	AHH5529	RS48	1	1						
15	Cold air kit assembly	AHH5532		1	1						
16	Case assembly	AHH5537		1	1						
17	Switch and knob	AHH5910		1	1						
18	Bracket—switch	AHH5912		1	1						
19	Screw fixing bracket	17H1940		2	2						
20	Trunnion	14G6451		1	1						
21	Air hose—31"	AHH5430		1	1						
22	Clip	14G800		1	1						
23	Clip—large	AHH5714		2	2						
24	Washer (spring)	LWZ203		2	2						
25	Nut	FNZ103		2	2						
26	Air hose	AHH5394		1	1						
27	Cable and knob assembly—air control	AHH5750		1	1						
28	Bracket—push-pull control	AHH5911		1	1						
29	Screw fixing bracket	17H1940		2	2						



9608A

SERVICE PARTS LIST

THE M.G. Series MGA 1500

Item No.	DESCRIPTION	Commencing (E) GB101		Qty. per Vehicle		Unit of Issue	Type of Vehicle	MODIFICATIONS			REMARKS
		Part Number	Illus. No.	RHD	LHD			New Part Number	Change Point	Amdt. No.	
SPECIAL TOOLS											
ENGINE											
1	Reamer (basic tool) camshaft liner	18G123A		1	1						
2	Pilot—liner reamer	18G123AB		1	1						
3	Pilot—liner reamer	18G123AC		1	1						
4	Pilot—liner reamer	18G123L		1	1						
5	Pilot—liner reamer	18G123AD		1	1						
6	Pilot—liner reamer	18G123T		1	1						
7	Cutter—liner reamer	18G123B		1	1						
8	Cutter—liner reamer	18G123E		1	1						
9	Cutter—liner reamer	18G123F		1	1						
10	Remover and replacer (basic tool)—camshaft liner	18G124A		1	1						
11	Adaptor—liner replacer and remover	18G124B		1	1						
12	Adaptor—liner replacer and remover	18G124C		1	1						
13	Adaptor—liner replacer and remover	18G124F		1	1						
14	Adaptor—liner replacer and remover	18G124H		1	1						
15	Glaze breaker—inlet valve seat	18G174A		1	1						
16	Glaze breaker—exhaust valve seat	18G25A		1	1						
17	Cutter—exhaust valve seat finishing—45°	18G25		1	1						
18	Cutter—inlet valve seat finishing	18G174		1	1						
19	Cutter—top—inlet valve seat narrowing	18G28B		1	1						
20	Cutter—top—exhaust valve seat narrowing	18G25B		1	1						
21	Cutter—bottom—inlet valve seat narrowing	18G28C		1	1						
22	Cutter—bottom—exhaust valve seat narrowing	18G25C		1	1						
23	Pilot—valve seat cutter	18G174D		1	1						
24	Pilot—valve seat cutter	18G375D		1	1						
25	Handle—valve seat cutter	18G27		1	1						
26	Remover and replacer—water pump bearing	18G60		1	1						
27	Grinding tool—oil pump release valve	18G69		1	1						
28	Spanner—starting dog nut	18G98		1	1						
29	Remover and replacer—valve rocker bush	18G226		1	1						
30	Compressor—valve spring	18G45		1	1						
31	Compressor (bench type)—valve spring	18G273		1	1						
32	Suction grinder—valve	18G29		1	1						
33	Clamp—piston ring	18G55A		1	1						
34	Adaptor—main bearing cap remover	18G284A		1	1						
CLUTCH											
35	Dismantling, assembling, and gauging fixture	18G99A		1	1						
36	Plate—centralizer	18G279		1	1						

SERVICE PARTS LIST

THE M.G. Series MGA 1500

Item No.	DESCRIPTION	Commencing (E) GB101		Qty. per Vehicle		Unit of Issue	Type of Vehicle	MODIFICATIONS			REMARKS
		Part Number	Illus. No.	RHD	LHD			New Part Number	Change Point	Amdt. No.	
	Special Tools—continued										
	GEARBOX										
1	Synchromesh assembly ring—3rd and 4th speed	18G223		1	1						
2	Synchromesh assembly ring—2nd speed	18G222		1	1						
3	Dummy layshaft	18G266		1	1						
4	Remover (basic tool)—rear extension oil seal	18G389		1	1						
5	Adaptor—oil seal remover	18G389B		1	1						
6	Adaptor handle—bearing and oil seal replacer	18G134		1	1						
7	Adaptor—oil seal replacer	18G134M		1	1			18G134N	Com. (E) GB10990		
	FRONT SUSPENSION										
8	Remover (basic tool)—front and rear hub plate	18G304		1	1						
9	Bolt—adaptor	18G304B		2	2						
10	Pad—thrust—adaptor	18G304J		1	1						
	STEERING										
11	'C' spanner—steering tie-rod	18G313		1	1						
12	Pin spanner—steering tie-rod	18G312		1	1						
13	Remover—steering-wheel	18G310		1	1						
	REAR AXLE										
14	Remover (basic tool)—bevel pinion outer race	18G264		1	1						
15	Remover and replacer—bevel pinion inner race	18G285		1	1						
16	Adaptor—bevel pinion outer race remover	18G264E		1	1						
17	Adaptor—bevel pinion outer race remover	18G264F		1	1						
18	Fibre box—outer race remover adaptor set	18G264K		1	1						
19	Wrench—bevel pinion flange	18G34A		1	1						
20	Torque wrench	18G372		1	1						
21	Gauge—rear axle pinion bearing preload	18G283		1	1						
22	Adaptor—preload gauge	18G283A		1	1						
23	Impulse extractor—rear axle shaft	18G284		1	1						
24	Gauge—bevel pinion and differential bearing setting	18G191B		1	1						
25	Remover (basic tool)—differential bearing	18G47C		1	1						
26	Adaptor—differential bearing remover	18G47T		1	1						
27	Remover and replacer—rear hub and differential bearing	18G134P		1	1						
28	Spanner—rear hub nut	18G152		1	1						
	BODY										
29	Jack—body and case	18G308B		1	1						
	BRAKES										
30	Wrench—bleeder screw	18G353									
	MISCELLANEOUS										
31	Hooks—2"—tool board	18G528		A/R	A/R						
32	Hooks—3"—tool board	18G529		A/R	A/R						

SERVICE PARTS LIST

THE M.G. Series MGA 1500

Item No.	DESCRIPTION	Commencing (C) 10101		Qty. per Vehicle		Unit of Issue	Type of Vehicle	MODIFICATIONS			REMARKS
		Part Number	Illus. No.	RHD	LHD			New Part Number	Change Point	Amdt. No.	
	LITERATURE										
1	Service Parts List	AKD599		1	1						
2	Driver's Handbook	AKD598		1	1						
3	Workshop Manual	AKD600A		1	1			AKD598G	Com. (C) 20671		
4	Driver's Handbook	AKD677		1	1] German editions
5	Workshop Manual	AKD981		1	1						
6	Schedule of Repair Charges	AKD873A		1	1						
7	Schedule of Repair Times	AKD782B		1	1						
8	'MGA' Tuning Booklet	AKD819A		1	1						
9	Catalogue—B.M.C. Service Tools	AKD770		1	1						
10	B.M.C. Service Parts Price List	AKD693		1	1						
11	Service Literature Catalogue	AKD858A		1	1						
12	Maintenance Service Voucher Book	AKD727B		1	1						