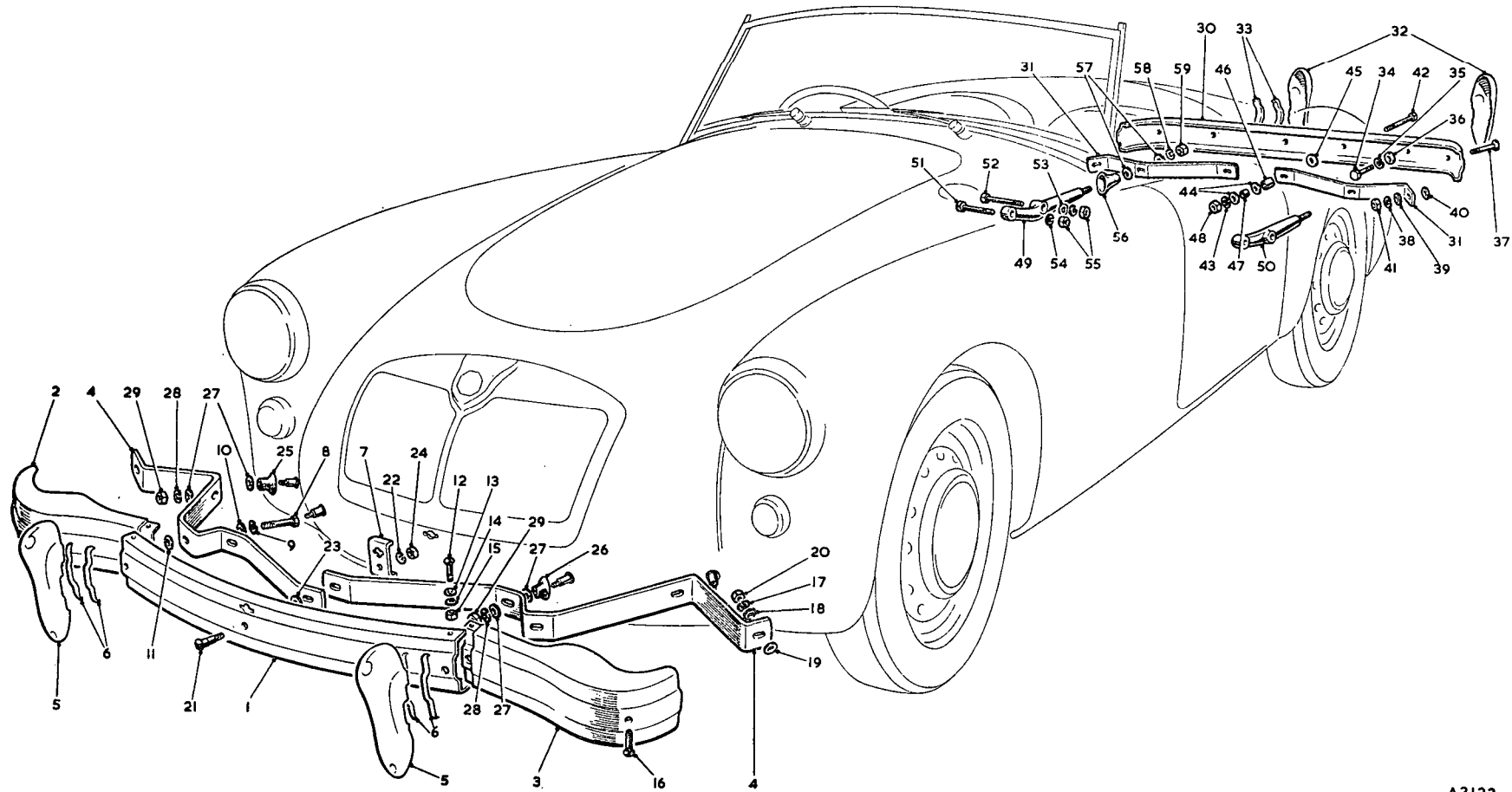


A2124



A2122

**SERVICE PARTS LIST**

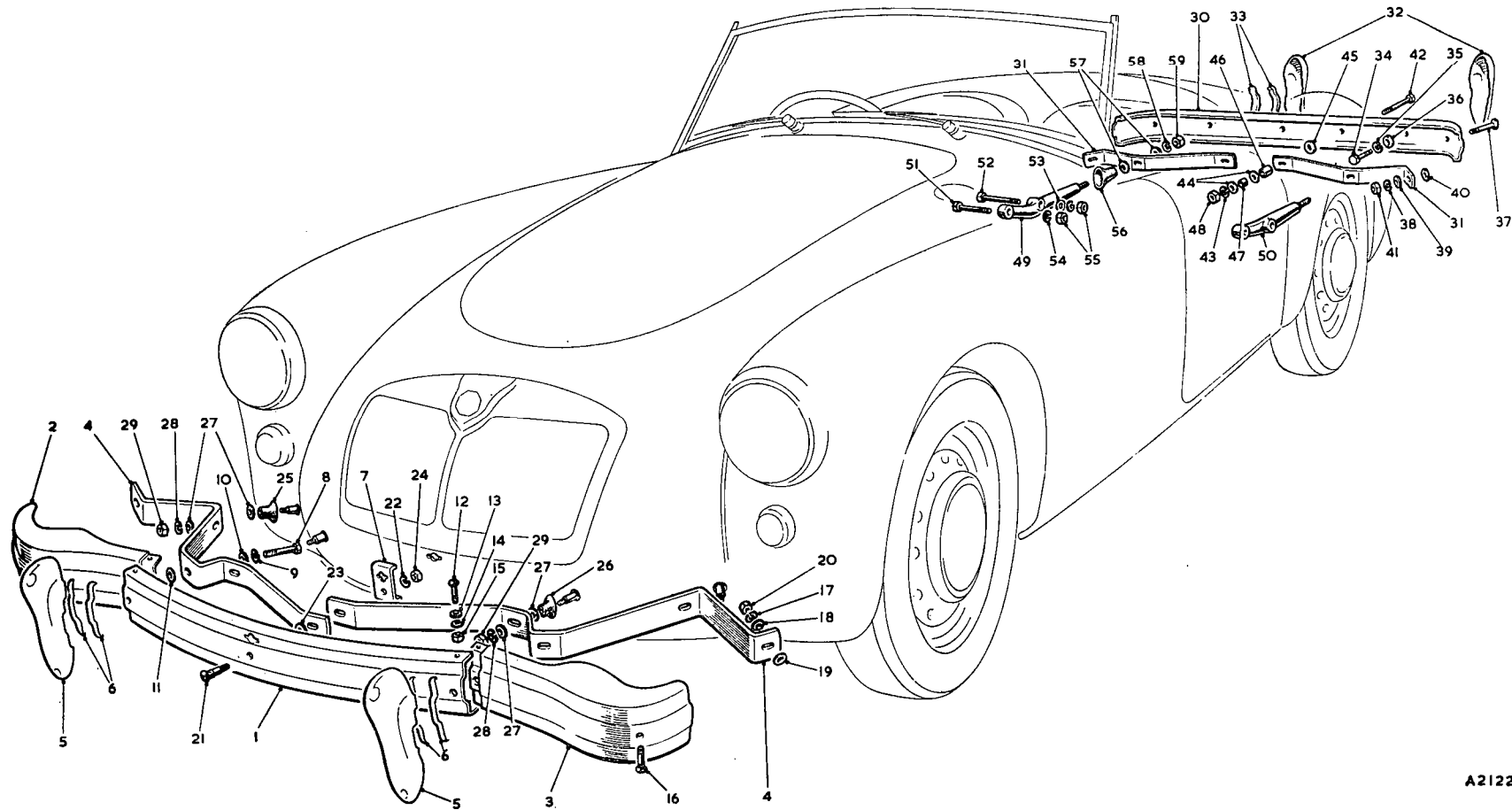
**THE M.G. Series MGA 1500**

Item No.	DESCRIPTION	Commencing (C) 10101		Qty. per Vehicle		Unit of Issue	Type of Vehicle	MODIFICATIONS			REMARKS
		Part Number	Illus. No.	RHD	LHD			New Part Number	Change Point	Amdt. No.	
	<b>BUMPERS AND FITTINGS</b>										
1	<b>Front bumper assembly</b>	<b>N.S.P.</b>									
2	Centre bar	AHH5474	RJ1	1	1						
3	Corner bar—R/H	AHH5486	RJ2	1	1						
4	Corner bar—L/H	AHH5487	RJ3	1	1						
5	Main spring	AHH5476	RJ4	2	2						
6	<b>Over-rider assembly</b>	<b>AHH5478</b>	<b>RJ5</b>	<b>2</b>	<b>2</b>						
7	P.V.C. moulding (4½")	AHH5488	RJ6	4	4						
8	Bracket for starting-handle	AHH5477	RJ7	1	1						
9	Bolt fixing over-rider to bumper bar	HBZ0620	RJ8	2	2						
10	Washer (spring) for over-rider to bumper bolt	LWZ206	RJ9	2	2						
11	Washer (plain) for over-rider to bumper bolt	PWZ106	RJ10	2	2						
12	Washer (special plain) for over-rider to bumper bolt	AHH5494	RJ11	2	2						
13	Bolt fixing corner bar to centre bar	AHH5491	RJ12	2	2						
14	Washer (special plain) for corner to centre bar bolt	AHH5492	RJ13	2	2						
15	Washer (spring) for corner to centre bar bolt	LWZ205	RJ14	2	2	24					
16	Nut for corner to centre bar bolt	FNZ105	RJ15	2	2						
17	Bolt fixing mainspring to corner bar	AHH5480	RJ16	2	2						
18	Washer (spring) for mainspring to corner bar bolt	LWZ206	RJ17	2	2						
19	Washer (plain) for mainspring to corner bar bolt	PWZ106	RJ18	2	2						
20	Washer (special plain) for mainspring to corner bar bolt	AHH5494	RJ19	2	2						
21	Nut for mainspring to corner bar bolt	FNZ106	RJ20	2	2						
22	Bolt fixing mainspring to centre	AHH5479	RJ21	1	1						
23	Washer (spring) for mainspring to centre bolt	LWZ206	RJ22	1	1						
24	Washer (special plain) for mainspring to centre bolt	AHH5494	RJ23	1	1						
25	Nut for mainspring to centre bolt	FNZ106	RJ24	1	1						
26	Grommet for outer stud	AHH5163	RJ25	2	2						
27	Grommet for inner stud	AHH5164	RJ26	2	2						
28	Washer (plain)	PWZ208	RJ27	8	8						
29	Washer (spring)	LWZ208	RJ28	4	4						
30	Nut for bumper support stud	FNZ108	RJ29	4	4						
31	<b>Rear bumper assembly</b>	<b>N.S.P.</b>									
32	Bumper bar	AHH5481	RJ30	1	1						
33	Mainspring	AHH5482	RJ31	2	2						
34	<b>Over-rider assembly</b>	<b>AHH5478</b>	<b>RJ32</b>	<b>2</b>	<b>2</b>						
35	P.V.C. moulding (4½")	AHH5488	RJ33	4	4						
36	Bolt fixing over-rider to bumper bar	HBZ0616	RJ34	2	2						
37	Washer (spring) for over-rider to bumper bolt	LWZ206	RJ35	2	2						
38	Washer (special plain) for over-rider to bumper bolt	AHH5494	RJ36	2	2						
39	Bolt—outer—fixing mainspring to bar	AHH5480	RJ37	2	2						
40	Washer (spring) for mainspring to bar bolt	LWZ206	RJ38	2	2						
41	Washer (plain) for mainspring to bar bolt	PWZ106	RJ39	2	2						
42	Washer (special plain) for mainspring to bar bolt	AHH5494	RJ40	2	2						
43	Nut for mainspring to bar bolt	FNZ106	RJ41	2	2						

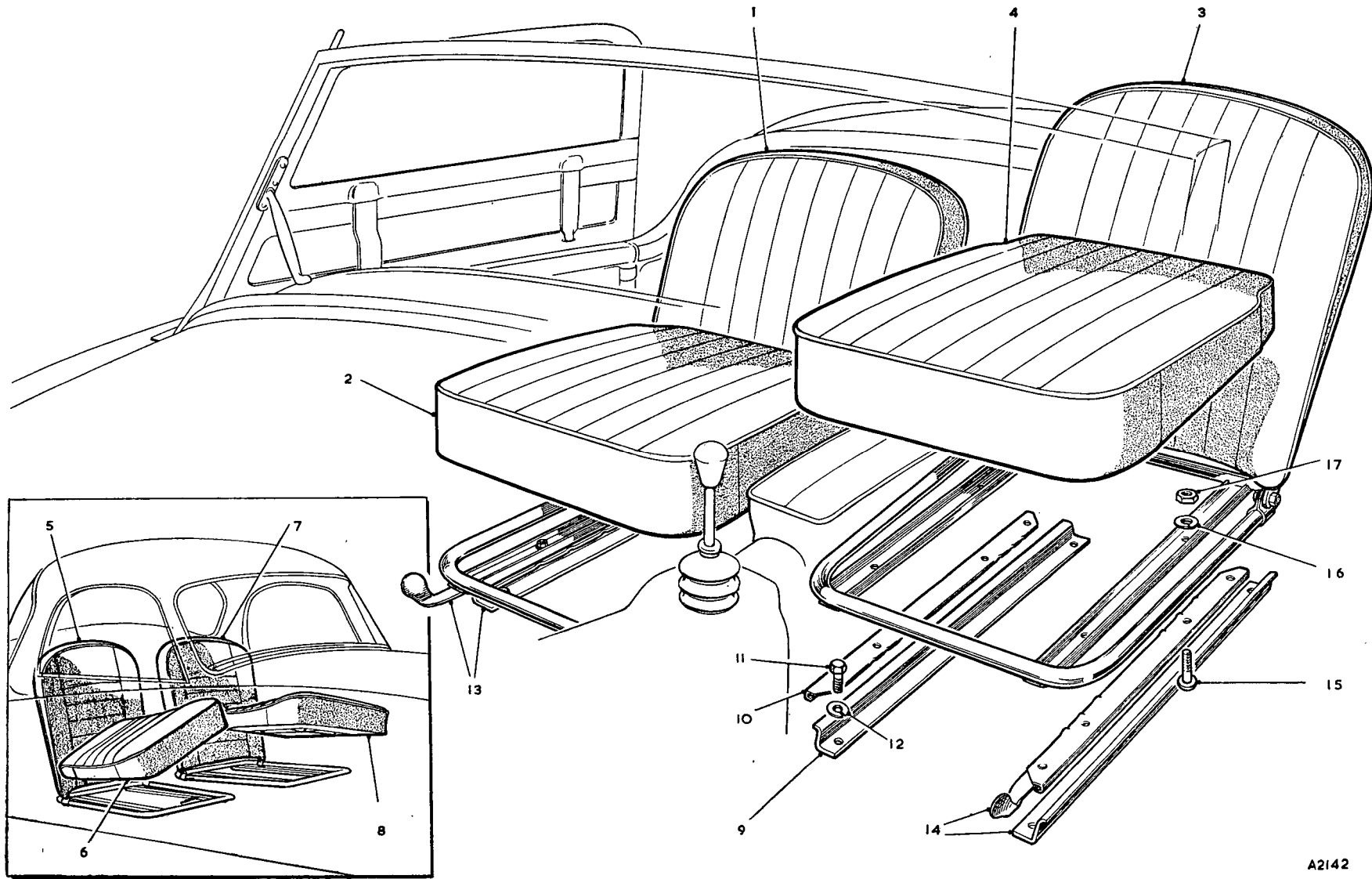
SERVICE PARTS LIST

THE M.G. Series MGA 1500

Item No.	DESCRIPTION	Commencing (C) 10101		Qty. per Vehicle		Unit of Issue	Type of Vehicle	MODIFICATIONS			REMARKS
		Part Number	Illus. No.	RHD	LHD			New Part Number	Change Point	Amdt. No.	
	<b>Bumpers and Fittings—continued</b>										
1	Bolt—inner—fixing mainspring to bar .....	AHH5485	RJ42	2	2						
2	Washer (spring) for mainspring to bar bolt .....	LWZ206	RJ43	2	2						
3	Washer (plain) for mainspring to bar bolt .....	PWZ206	RJ44	4	4						
4	Washer (special plain) for mainspring to bar bolt .....	AHH5494	RJ45	2	2						
5	Distance piece for mainspring to bar bolt .....	AHH5483	RJ46	2	2						
6	Distance tube for mainspring to bar bolt .....	AHH5484	RJ47	2	2						
7	Nut for mainspring to bar bolt.....	FNZ106	RJ48	2	2						
8	<b>Bracket—R/H—rear bumper mounting</b> .....	<b>AHH5093</b>	<b>RJ49</b>	<b>1</b>	<b>1</b>						
9	<b>Bracket—L/H—rear bumper mounting</b> .....	<b>AHH5094</b>	<b>RJ50</b>	<b>1</b>	<b>1</b>						
10	Bolt fixing bracket to frame .....	HBZ0730	RJ51	2	2						
11	Bolt fixing bracket to frame .....	HBZ0732	RJ52	2	2						
12	Washer (plain) .....	PWZ107	RJ53	2	2						
13	Washer (spring) .....	LWZ207	RJ54	4	4						
14	Nut for bracket to frame bolt.....	FNZ107	RJ55	4	4						
15	Grommet (rubber) for bracket .....	130383	RJ56	2	2						
16	Washer (plain) for bracket and bumper stud .....	PWZ208	RJ57	4	4						
17	Washer (spring) for bracket and bumper stud .....	LWZ208	RJ58	2	2						
18	Nut for bracket and bumper stud .....	FNZ108	RJ59	2	2						



A2122



A2142

**SERVICE PARTS LIST**

**THE M.G. Series MGA 1500**

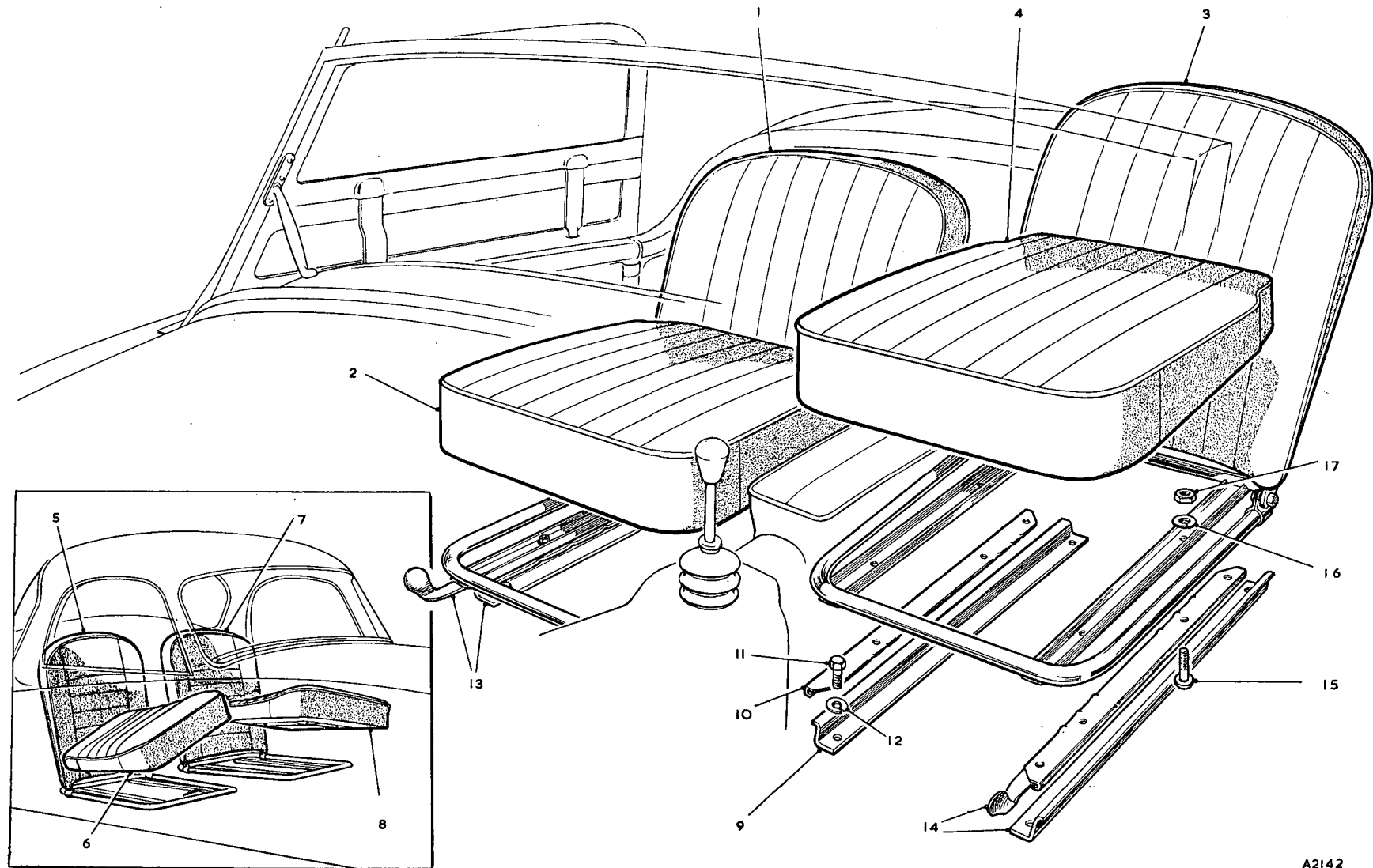
Item No.	DESCRIPTION	Commencing (C) 10101		Qty. per Vehicle		Unit of Issue	Type of Vehicle	MODIFICATIONS			REMARKS
		Part Number	Illus. No.	RHD	LHD			New Part Number	Change Point	Amdt. No.	
	<b>SEAT AND SEAT FITTINGS</b>										
1	Seat assembly—bucket—less cushion—R/H—Red	AFH2456	RK1	1	1		Tourer				
2	Seat assembly—bucket—less cushion—R/H—Green	AFH5848		1	1						
3	Seat assembly—bucket—less cushion—R/H—Grey	AFH5850		1	1						
4	Seat assembly—bucket—less cushion—R/H—Black with Red piping	AFH5852		1	1						
5	Seat assembly—bucket—less cushion—R/H—Black with Green piping	AFH5854		1	1						
6	Seat assembly—bucket—less cushion—R/H—Black with Grey piping	AFH5856		1	1						
7	Seat assembly—bucket—less cushion—R/H—Black with White piping	AFH5858		1	1						
8	Squab assembly—bucket seat—R/H—Red	AFH2614		1	1						
9	Squab assembly—bucket seat—R/H—Green	AFH5872		1	1						
10	Squab assembly—bucket seat—R/H—Grey	AFH5874		1	1						
11	Squab assembly—bucket seat—R/H—Black with Red piping	AFH5876		1	1						
12	Squab assembly—bucket seat—R/H—Black with Green piping	AFH5878		1	1						
13	Squab assembly—bucket seat—R/H—Black with Grey piping	AFH5880		1	1						
14	Squab assembly—bucket seat—R/H—Black with White piping	AFH5882		1	1						
15	Cover assembly—bucket seat squab—R/H—Red	AFH2612		1	1						
16	Cover assembly—bucket seat squab—R/H—Green	AFH6450		1	1						
17	Cover assembly—bucket seat squab—R/H—Grey	AFH6452		1	1						
18	Cover assembly—bucket seat squab—R/H—Black with Red piping	AFH6454		1	1						
19	Cover assembly—bucket seat squab—R/H—Black with Green piping	AFH6456		1	1						
20	Cover assembly—bucket seat squab—R/H—Black with Grey piping	AFH6458		1	1						
21	Cover assembly—bucket seat squab—R/H—Black with White piping	AFH6460		1	1						
22	Cushion assembly—bucket seat—R/H—Red	AFH2458	RK2	1	1						
23	Cushion assembly—bucket seat—R/H—Green	AFH5860		1	1						
24	Cushion assembly—bucket seat—R/H—Grey	AFH5862		1	1						
25	Cushion assembly—bucket seat—R/H—Black with Red piping	AFH5864		1	1						
26	Cushion assembly—bucket seat—R/H—Black with Green piping	AFH5866		1	1						
27	Cushion assembly—bucket seat—R/H—Black with Grey piping	AFH5868		1	1						
28	Cushion assembly—bucket seat—R/H—Black with White piping	AFH5870		1	1						

**SERVICE PARTS LIST**

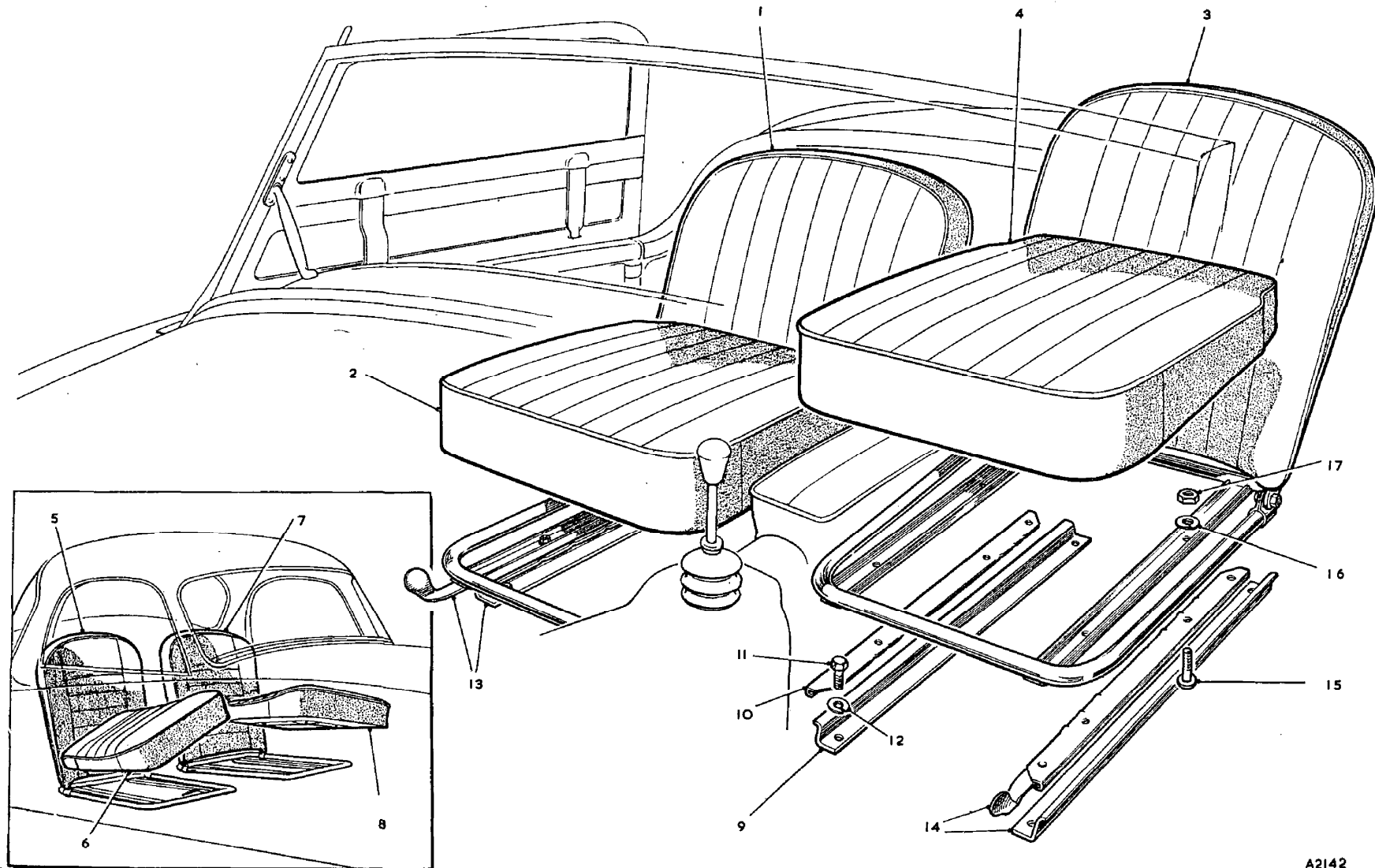
**THE M.G. Series MGA 1500**

Item No.	DESCRIPTION	Commencing (C) 10101		Qty. per Vehicle		Unit of Issue	Type of Vehicle	MODIFICATIONS			REMARKS
		Part Number	Illus. No.	RHD	LHD			New Part Number	Change Point	Amdt. No.	
	<b>Seat and Seat Fittings—continued</b>										
1	Cover assembly—bucket seat cushion—R/H—Red	AFH2610		1	1		Tourer				
2	Cover assembly—bucket seat cushion—R/H—Green	AFH5884		1	1						
3	Cover assembly—bucket seat cushion—R/H—Grey	AFH5886		1	1						
4	Cover assembly—bucket seat cushion—R/H—Black with Red piping	AFH5888		1	1						
5	Cover assembly—bucket seat cushion—R/H—Black with Green piping	AFH5890		1	1						
6	Cover assembly—bucket seat cushion—R/H—Black with Grey piping	AFH5892		1	1						
7	Cover assembly—bucket seat cushion—R/H—Black with White piping	AFH5894		1	1						
8	<b>Seat assembly—bucket—less cushion—L/H—Red</b>	<b>AFH2457</b>	<b>RK3</b>	1	1						
9	<b>Seat assembly—bucket—less cushion—L/H—Green</b>	<b>AFH5849</b>		1	1						
10	<b>Seat assembly—bucket—less cushion—L/H—Grey</b>	<b>AFH5851</b>		1	1						
11	<b>Seat assembly—bucket—less cushion—L/H—Black with Red piping</b>	<b>AFH5853</b>		1	1						
12	<b>Seat assembly—bucket—less cushion—L/H—Black with Green piping</b>	<b>AFH5855</b>		1	1						
13	<b>Seat assembly—bucket—less cushion—L/H—Black with Grey piping</b>	<b>AFH5857</b>		1	1						
14	<b>Seat assembly—bucket—less cushion—L/H—Black with White piping</b>	<b>AFH5859</b>		1	1						
15	Squab assembly—bucket seat—L/H—Red	AFH2615		1	1						
16	Squab assembly—bucket seat—L/H—Green	AFH5873		1	1						
17	Squab assembly—bucket seat—L/H—Grey	AFH5875		1	1						
18	Squab assembly—bucket seat—L/H—Black with Red piping	AFH5877		1	1						
19	Squab assembly—bucket seat—L/H—Black with Green piping	AFH5879		1	1						
20	Squab assembly—bucket seat—L/H—Black with Grey piping	AFH5881		1	1						
21	Squab assembly—bucket seat—L/H—Black with White piping	AFH5883		1	1						
22	Cover assembly—bucket seat squab—L/H—Red	AFH2613		1	1						
23	Cover assembly—bucket seat squab—L/H—Green	AFH6451		1	1						
24	Cover assembly—bucket seat squab—L/H—Grey	AFH6453		1	1						
25	Cover assembly—bucket seat squab—L/H—Black with Red piping	AFH6455		1	1						
26	Cover assembly—bucket seat squab—L/H—Black with Green piping	AFH6457		1	1						
27	Cover assembly—bucket seat squab—L/H—Black with Grey piping	AFH6459		1	1						
28	Cover assembly—bucket seat squab—L/H—Black with White piping	AFH6461		1	1						





A2142



A2142

**SERVICE PARTS LIST**

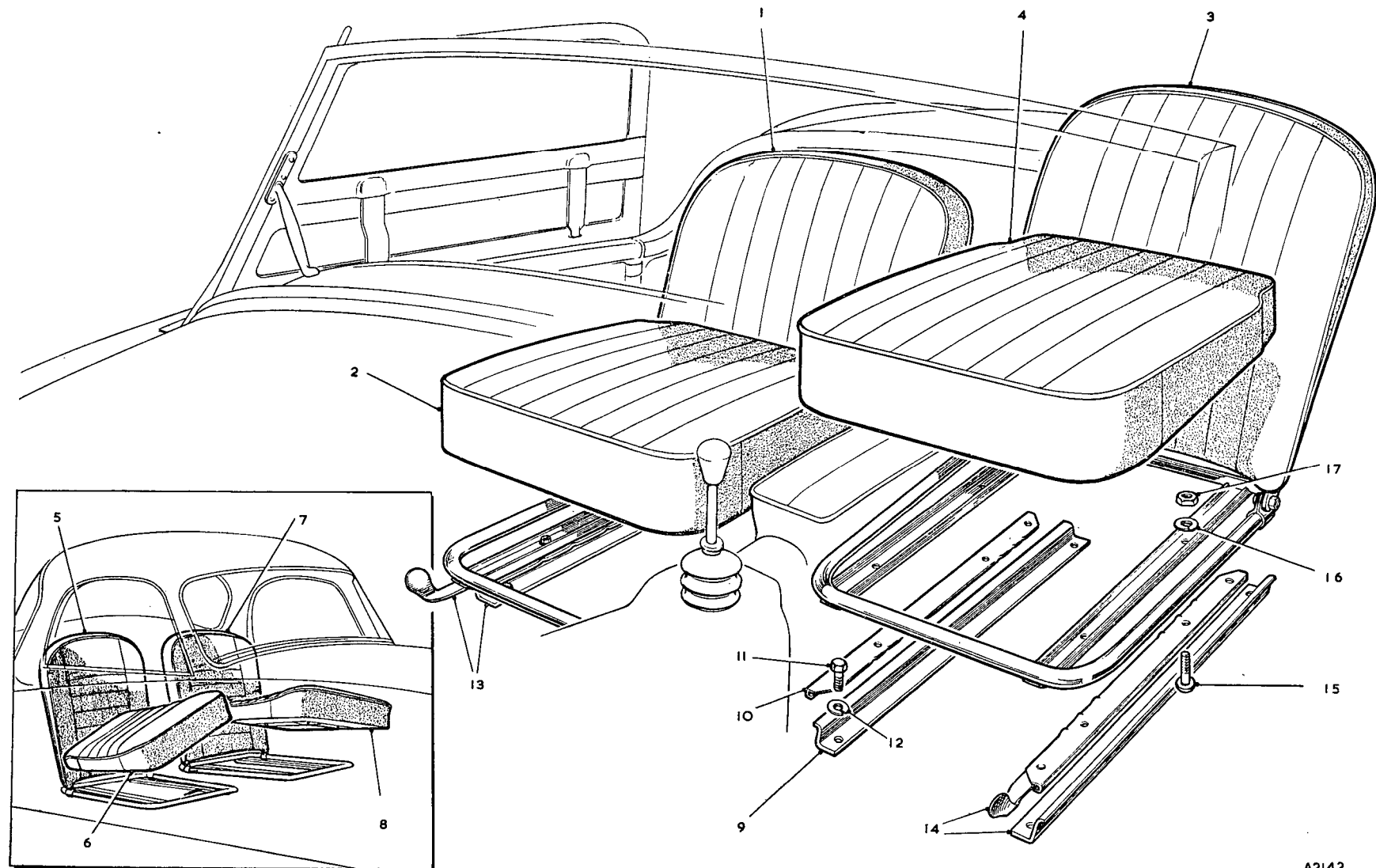
**THE M.G. Series MGA 1500**

Item No.	DESCRIPTION	Commencing (C) 10101		Qty. per Vehicle		Unit of Issue	Type of Vehicle	MODIFICATIONS			REMARKS
		Part Number	Illus. No.	RHD	LHD			New Part Number	Change Point	Amdt. No.	
	<b>Seat and Seat Fittings—continued</b>										
1	Cushion assembly—bucket seat—L/H—Red	<b>AFH2459</b>	<b>RK4</b>	<b>1</b>	<b>1</b>		Tourer				
2	Cushion assembly—bucket seat—L/H—Green	<b>AFH5861</b>		<b>1</b>	<b>1</b>						
3	Cushion assembly—bucket seat—L/H—Grey	<b>AFH5863</b>		<b>1</b>	<b>1</b>						
4	Cushion assembly—bucket seat—L/H—Black with Red piping	<b>AFH5865</b>		<b>1</b>	<b>1</b>						
5	Cushion assembly—bucket seat—L/H—Black with Green piping	<b>AFH5867</b>		<b>1</b>	<b>1</b>						
6	Cushion assembly—bucket seat—L/H—Black with Grey piping	<b>AFH5869</b>		<b>1</b>	<b>1</b>						
7	Cushion assembly—bucket seat—L/H—Black with White piping	<b>AFH5871</b>		<b>1</b>	<b>1</b>						
8	Cover assembly—bucket seat cushion—L/H—Red	AFH2611		1	1						
9	Cover assembly—bucket seat cushion—L/H—Green	AFH5885		1	1						
10	Cover assembly—bucket seat cushion—L/H—Grey	AFH5887		1	1						
11	Cover assembly—bucket seat cushion—L/H—Black with Red piping	AFH5889		1	1						
12	Cover assembly—bucket seat cushion—L/H—Black with Green piping	AFH5891		1	1						
13	Cover assembly—bucket seat cushion—L/H—Black with Grey piping	AFH5893		1	1						
14	Cover assembly—bucket seat cushion—L/H—Black with White piping	AFH5895		1	1						
15	<b>Seat assembly—bucket—less cushion—R/H—Red</b>	<b>AFH4632</b>	<b>RK5</b>	<b>1</b>	<b>1</b>		Coupé				
16	<b>Seat assembly—bucket—less cushion—R/H—Green</b>	<b>AFH5490</b>		<b>1</b>	<b>1</b>						
17	<b>Seat assembly—bucket—less cushion—R/H—Grey</b>	<b>AFH5492</b>		<b>1</b>	<b>1</b>						
18	<b>Seat assembly—bucket—less cushion—R/H—Black with Red piping</b>	<b>AFH5496</b>		<b>1</b>	<b>1</b>						
19	<b>Seat assembly—bucket—less cushion—R/H—Black with Green piping</b>	<b>AFH5498</b>		<b>1</b>	<b>1</b>						
20	<b>Seat assembly—bucket—less cushion—R/H—Black with White piping</b>	<b>AFH5494</b>		<b>1</b>	<b>1</b>						
21	<b>Seat assembly—bucket—less cushion—R/H—Black with Blue piping</b>	<b>AFH5500</b>		<b>1</b>	<b>1</b>						
22	Squab assembly—bucket seat—R/H—Red	AFH4636		1	1						
23	Squab assembly—bucket seat—R/H—Green	AFH5514		1	1						
24	Squab assembly—bucket seat—R/H—Grey	AFH5516		1	1						
25	Squab assembly—bucket seat—R/H—Black with Red piping	AFH5520		1	1						
26	Squab assembly—bucket seat—R/H—Black with Green piping	AFH5522		1	1						
27	Squab assembly—bucket seat—R/H—Black with White piping	AFH5518		1	1						
28	Squab assembly—bucket seat—R/H—Black with Blue piping	AFH5424		1	1						

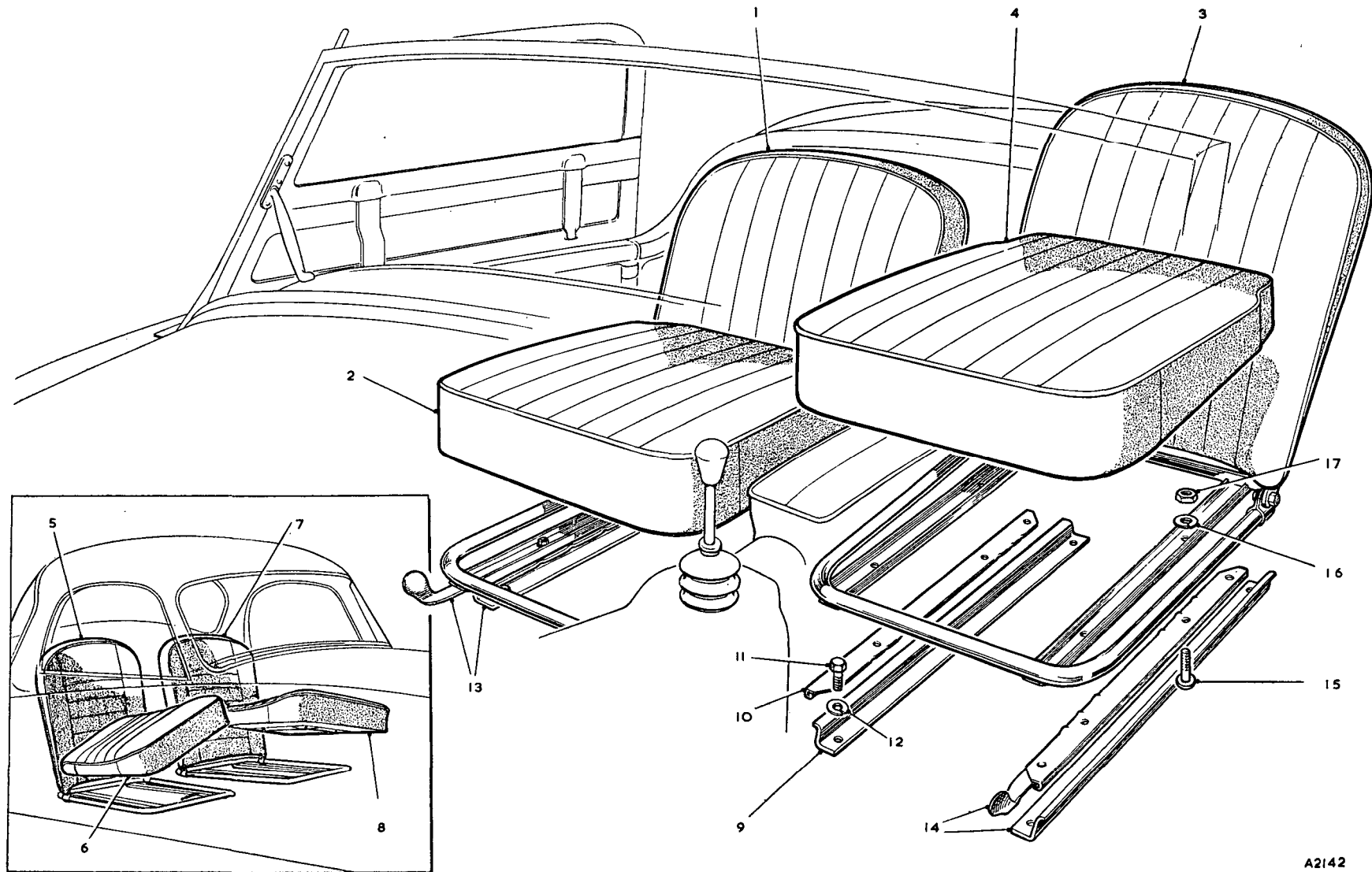
**SERVICE PARTS LIST**

**THE M.G. Series MGA 1500**

Item No.	DESCRIPTION	Commencing (C) 20671		Qty. per Vehicle		Unit of Issue	Type of Vehicle	MODIFICATIONS			REMARKS
		Part Number	Illus. No.	RHD	LHD			New Part Number	Change Point	Amdt. No.	
	<b>Seat and Seat Fittings—continued</b>										
1	Cover assembly—bucket seat squab—R/H—Red	AFH4640		1	1		Coupé				
2	Cover assembly—bucket seat squab—R/H—Green	AFH5538		1	1						
3	Cover assembly—bucket seat squab—R/H—Grey	AFH5540		1	1						
4	Cover assembly—bucket seat squab—R/H—Black with Red piping	AFH5544		1	1						
5	Cover assembly—bucket seat squab—R/H—Black with Green piping	AFH5546		1	1						
6	Cover assembly—bucket seat squab—R/H—Black with White piping	AFH5542		1	1						
7	Cover assembly—bucket seat squab—R/H—Black with Blue piping	AFH5548		1	1						
8	<b>Cushion assembly—bucket seat—R/H—Red</b>	<b>AFH4634</b>	<b>RK6</b>	1	1						
9	<b>Cushion assembly—bucket seat—R/H—Green</b>	<b>AFH5502</b>		1	1						
10	<b>Cushion assembly—bucket seat—R/H—Grey</b>	<b>AFH5504</b>		1	1						
11	<b>Cushion assembly—bucket seat—R/H—Black with Red piping</b>	<b>AFH5508</b>		1	1						
12	<b>Cushion assembly—bucket seat—R/H—Black with Green piping</b>	<b>AFH5510</b>		1	1						
13	<b>Cushion assembly—bucket seat—R/H—Black with White piping</b>	<b>AFH5506</b>		1	1						
14	<b>Cushion assembly—bucket seat—R/H—Black with Blue piping</b>	<b>AFH5512</b>		1	1						
15	Cover assembly—bucket seat cushion—R/H—Red	AFH4638		1	1						
16	Cover assembly—bucket seat cushion—R/H—Green	AFH5526		1	1						
17	Cover assembly—bucket seat cushion—R/H—Grey	AFH5528		1	1						
18	Cover assembly—bucket seat cushion—R/H—Black with Red piping	AFH5532		1	1						
19	Cover assembly—bucket seat cushion—R/H—Black with Green piping	AFH5534		1	1						
20	Cover assembly—bucket seat cushion—R/H—Black with White piping	AFH5530		1	1						
21	Cover assembly—bucket seat cushion—R/H—Black with Blue piping	AFH5536		1	1						
22	<b>Seat assembly—bucket—less cushion—L/H—Red</b>	<b>AFH4633</b>	<b>RK7</b>	1	1						
23	<b>Seat assembly—bucket—less cushion—L/H—Green</b>	<b>AFH5491</b>		1	1						
24	<b>Seat assembly—bucket—less cushion—L/H—Grey</b>	<b>AFH5493</b>		1	1						
25	<b>Seat assembly—bucket—less cushion—L/H—Black with Red piping</b>	<b>AFH5497</b>		1	1						
26	<b>Seat assembly—bucket—less cushion—L/H—Black with Green piping</b>	<b>AFH5499</b>		1	1						
27	<b>Seat assembly—bucket—less cushion—L/H—Black with White piping</b>	<b>AFH5495</b>		1	1						
28	<b>Seat assembly—bucket—less cushion—L/H—Black with Blue piping</b>	<b>AFH5501</b>		1	1						



A2142



A2142

**SERVICE PARTS LIST**

**THE M.G. Series MGA 1500**

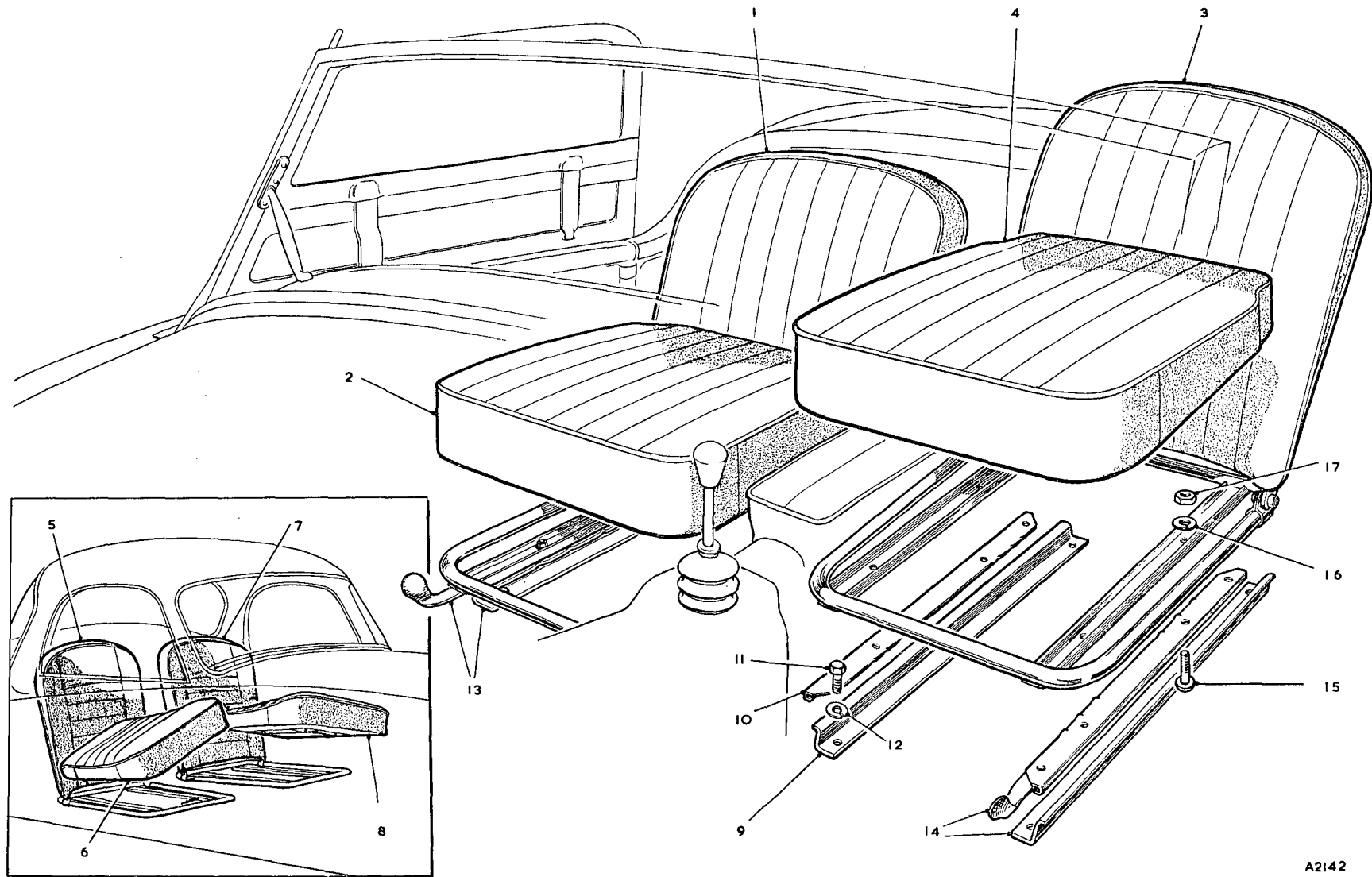
Item No.	DESCRIPTION	Commencing (C) 20671		Qty. per Vehicle		Unit of Issue	Type of Vehicle	MODIFICATIONS			REMARKS
		Part Number	Illus. No.	RHD	LHD			New Part Number	Change Point	Amdt. No.	
	<b>Seat and Seat Fittings—continued</b>										
1	Squab assembly—bucket seat—L/H—Red	AFH4637		1	1		Coupe				
2	Squab assembly—bucket seat—L/H—Green	AFH5515		1	1						
3	Squab assembly—bucket seat—L/H—Grey	AFH5517		1	1						
4	Squab assembly—bucket seat—L/H—Black with Red piping	AFH5521		1	1						
5	Squab assembly—bucket seat—L/H—Black with Green piping	AFH5523		1	1						
6	Squab assembly—bucket seat—L/H—Black with White piping	AFH5519		1	1						
7	Squab assembly—bucket seat—L/H—Black with Blue piping	AFH5425		1	1						
8	Cover assembly—bucket seat squab—L/H—Red	AFH4641		1	1						
9	Cover assembly—bucket seat squab—L/H—Green	AFH5539		1	1						
10	Cover assembly—bucket seat squab—L/H—Grey	AFH5541		1	1						
11	Cover assembly—bucket seat squab—L/H—Black with Red piping	AFH5545		1	1						
12	Cover assembly—bucket seat squab—L/H—Black with Green piping	AFH5547		1	1						
13	Cover assembly—bucket seat squab—L/H—Black with White piping	AFH5543		1	1						
14	Cover assembly—bucket seat squab—L/H—Black with Blue piping	AFH5549		1	1						
15	<b>Cushion assembly—bucket seat—L/H—Red</b>	<b>AFH4635</b>	<b>RK8</b>	1	1						
16	<b>Cushion assembly—bucket seat—L/H—Green</b>	<b>AFH5503</b>		1	1						
17	<b>Cushion assembly—bucket seat—L/H—Grey</b>	<b>AFH5505</b>		1	1						
18	<b>Cushion assembly—bucket seat—L/H—Black with Red piping</b>	<b>AFH5509</b>		1	1						
19	<b>Cushion assembly—bucket seat—L/H—Black with Green piping</b>	<b>AFH5511</b>		1	1						
20	<b>Cushion assembly—bucket seat—L/H—Black with White piping</b>	<b>AFH5507</b>		1	1						
21	<b>Cushion assembly—bucket seat—L/H—Black with Blue piping</b>	<b>AFH5513</b>		1	1						
22	Cover assembly—bucket seat cushion—L/H—Red	AFH4639		1	1						
23	Cover assembly—bucket seat cushion—L/H—Green	AFH5527		1	1						
24	Cover assembly—bucket seat cushion—L/H—Grey	AFH5529		1	1						
25	Cover assembly—bucket seat cushion—L/H—Black with Red piping	AFH5533		1	1						
26	Cover assembly—bucket seat cushion—L/H—Black with Green piping	AFH5535		1	1						
27	Cover assembly—bucket seat cushion—L/H—Black with White piping	AFH5531		1	1						
28	Cover assembly—bucket seat cushion—L/H—Black with Blue piping	AFH5537		1	1						

**SERVICE PARTS LIST**

**THE M.G. Series MGA 1500**

Item No.	DESCRIPTION	Commencing (C) 10101		Qty. per Vehicle		Unit of Issue	Type of Vehicle	MODIFICATIONS			REMARKS
		Part Number	Illus. No.	RHD	LHD			New Part Number	Change Point	Amdt. No.	
	<b>Seat and Seat Fittings—continued</b>										
1	Seat rail—floor rack	AHH5509	RK9	4	4						
2	Slide—seat catch	AHH5510	RK10	2	2						
3	Screw fixing seat rail to floor	HPZ0405	RK11	8	8						
4	Washer (spring) for rail to floor screw	LWZ204	RK12	8	8						
5	<b>Slide assembly—R/H seat catch</b>	<b>AHH5511</b>	<b>RK13</b>	<b>1</b>	<b>1</b>						
6	<b>Slide assembly—L/H seat catch</b>	<b>AHH5512</b>	<b>RK14</b>	<b>1</b>	<b>1</b>						
7	Screw fixing seat to runner	CMZ0410	RK15	16	16						
8	Washer (spring)	LWZ204	RK16	16	16						
9	Nut for seat to runner screw	FNZ104	RK17	16	16						
	<b>COMPETITION DE-LUXE SEATS</b> (Optional Extra)										
10	Bucket seat assembly—R/H (Red)	AFH5666		1	1						When these seats are requested after car delivery AHH5748 and AHH5749 floorboards and 16 off CMZ0420 screw must also be supplied
11	Bucket seat assembly—L/H (Red)	AFH5667		1	1						
12	Bucket seat assembly—R/H (Green)	AFH5668		1	1						
13	Bucket seat assembly—L/H (Green)	AFH5669		1	1						
14	Bucket seat assembly—R/H (Grey)	AFH5670		1	1						
15	Bucket seat assembly—L/H (Grey)	AFH5671		1	1						
16	Bucket seat assembly—R/H (Black/White)	AFH5672		1	1						
17	Bucket seat assembly—L/H (Black/White)	AFH5673		1	1						
18	Bucket seat assembly—R/H (Black/Red)	AFH5674		1	1						
19	Bucket seat assembly—L/H (Black/Red)	AFH5675		1	1						
20	Bucket seat assembly—R/H (Black/Green)	AFH5676		1	1						
21	Bucket seat assembly—L/H (Black/Green)	AFH5677		1	1						
22	Bucket seat assembly—R/H (Black/Blue)	AFH6560		1	1						
23	Bucket seat assembly—L/H (Black/Blue)	AFH6561		1	1						
24	Bucket seat frame assembly—R/H	AFH5478		1	1						
25	Bucket seat frame assembly—L/H	AFH5479		1	1						
26	Bucket seat squab—R/H (Red)	AFH5680		1	1						
27	Bucket seat squab—L/H (Red)	AFH5681		1	1						
28	Bucket seat squab—R/H (Green)	AFH5682		1	1						
29	Bucket seat squab—L/H (Green)	AFH5683		1	1						
30	Bucket seat squab—R/H (Grey)	AFH5684		1	1						
31	Bucket seat squab—L/H (Grey)	AFH5685		1	1						
32	Bucket seat squab—R/H (Black/White)	AFH5686		1	1						
33	Bucket seat squab—L/H (Black/White)	AFH5687		1	1						
34	Bucket seat squab—R/H (Black/Red)	AFH5688		1	1						
35	Bucket seat squab—L/H (Black/Red)	AFH5689		1	1						
36	Bucket seat squab—R/H (Black/Green)	AFH5690		1	1						
37	Bucket seat squab—L/H (Black/Green)	AFH5691		1	1						
38	Bucket seat squab—R/H (Black/Blue)	AFH6562		1	1						
39	Bucket seat squab—L/H (Black/Blue)	AFH6563		1	1						





A2142

SERVICE PARTS LIST

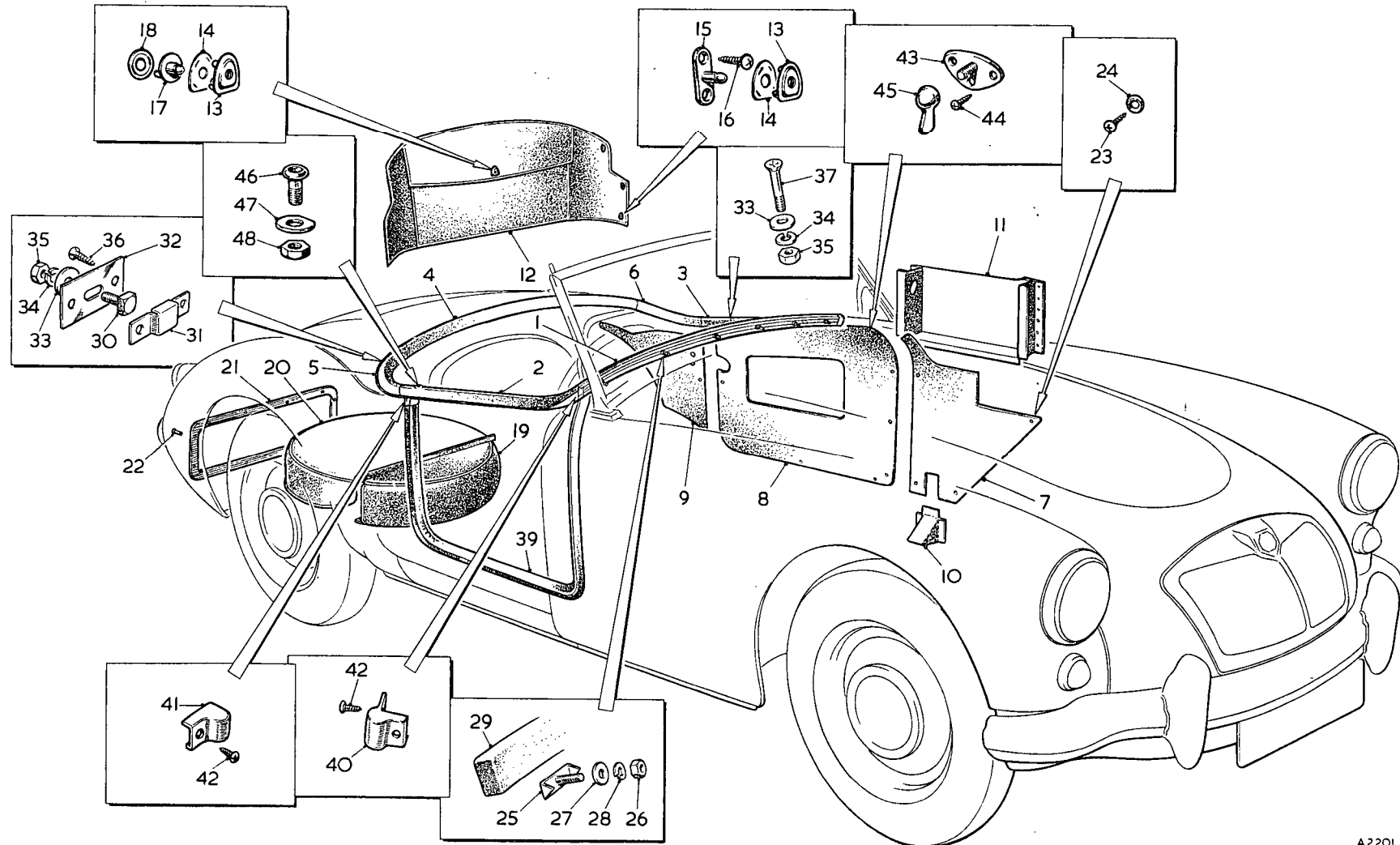
THE M.G. Series MGA 1500

Item No.	DESCRIPTION	Commencing (C) 10101		Qty. per Vehicle		Unit of Issue	Type of Vehicle	MODIFICATIONS			REMARKS
		Part Number	Illus. No.	RHD	LHD			New Part Number	Change Point	Amdt. No.	
	<b>Seat and Seat Fittings—continued</b>										
1	Bucket seat squab cover—R/H (Red)	AFH5708		1	1						
2	Bucket seat squab cover—L/H (Red)	AFH5709		1	1						
3	Bucket seat squab cover—R/H (Green)	AFH5710		1	1						
4	Bucket seat squab cover—L/H (Green)	AFH5711		1	1						
5	Bucket seat squab cover—R/H (Grey)	AFH5712		1	1						
6	Bucket seat squab cover—L/H (Grey)	AFH5713		1	1						
7	Bucket seat squab cover—R/H (Black/White)	AFH5714		1	1						
8	Bucket seat squab cover—L/H (Black/White)	AFH5715		1	1						
9	Bucket seat squab cover—R/H (Black/Red)	AFH5716		1	1						
10	Bucket seat squab cover—L/H (Black/Red)	AFH5717		1	1						
11	Bucket seat squab cover—R/H (Black/Green)	AFH5718		1	1						
12	Bucket seat squab cover—L/H (Black/Green)	AFH5719		1	1						
13	Bucket seat squab cover—R/H (Black/Blue)	AFH6566		1	1						
14	Bucket seat squab cover—L/H (Black/Blue)	AFH6567		1	1						
15	Bucket seat back casing (Red)	AFH5736		2	2						
16	Bucket seat back casing (Green)	AFH5737		2	2						
17	Bucket seat back casing (Grey)	AFH5738		2	2						
18	Bucket seat back casing (Black/White)	AFH5739		2	2						
19	Bucket seat back casing (Black/Red)	AFH5740		2	2						
20	Bucket seat back casing (Black/Green)	AFH5741		2	2						
21	Bucket seat back casing (Black/Blue)	AFH6570		2	2						
22	Bucket seat cushion—R/H (Red)	AFH5694		1	1						
23	Bucket seat cushion—L/H (Red)	AFH5695		1	1						
24	Bucket seat cushion—R/H (Green)	AFH5696		1	1						
25	Bucket seat cushion—L/H (Green)	AFH5697		1	1						
26	Bucket seat cushion—R/H (Grey)	AFH5698		1	1						
27	Bucket seat cushion—L/H (Grey)	AFH5699		1	1						
28	Bucket seat cushion—R/H (Black/White)	AFH5700		1	1						
29	Bucket seat cushion—L/H (Black/White)	AFH5701		1	1						
30	Bucket seat cushion—R/H (Black/Red)	AFH5702		1	1						
31	Bucket seat cushion—L/H (Black/Red)	AFH5703		1	1						
32	Bucket seat cushion—R/H (Black/Green)	AFH5704		1	1						
33	Bucket seat cushion—L/H (Black/Green)	AFH5705		1	1						
34	Bucket seat cushion—R/H (Black/Blue)	AFH6564		1	1						
35	Bucket seat cushion—L/H (Black/Blue)	AFH6565		1	1						
36	Bucket seat cushion cover—R/H (Red)	AFH5722		1	1						
37	Bucket seat cushion cover—L/H (Red)	AFH5723		1	1						
38	Bucket seat cushion cover—R/H (Green)	AFH5724		1	1						
39	Bucket seat cushion cover—L/H (Green)	AFH5725		1	1						
40	Bucket seat cushion cover—R/H (Grey)	AFH5726		1	1						
41	Bucket seat cushion cover—L/H (Grey)	AFH5727		1	1						
42	Bucket seat cushion cover—R/H (Black/White)	AFH5728		1	1						
43	Bucket seat cushion cover—L/H (Black/White)	AFH5729		1	1						
44	Bucket seat cushion cover—R/H (Black/Red)	AFH5730		1	1						
45	Bucket seat cushion cover—L/H (Black/Red)	AFH5731		1	1						
46	Bucket seat cushion cover—R/H (Black/Green)	AFH5732		1	1						
47	Bucket seat cushion cover—L/H (Black/Green)	AFH5733		1	1						
48	Bucket seat cushion cover—R/H (Black/Blue)	AFH6568		1	1						
49	Bucket seat cushion cover—L/H (Black/Blue)	AFH6569		1	1						

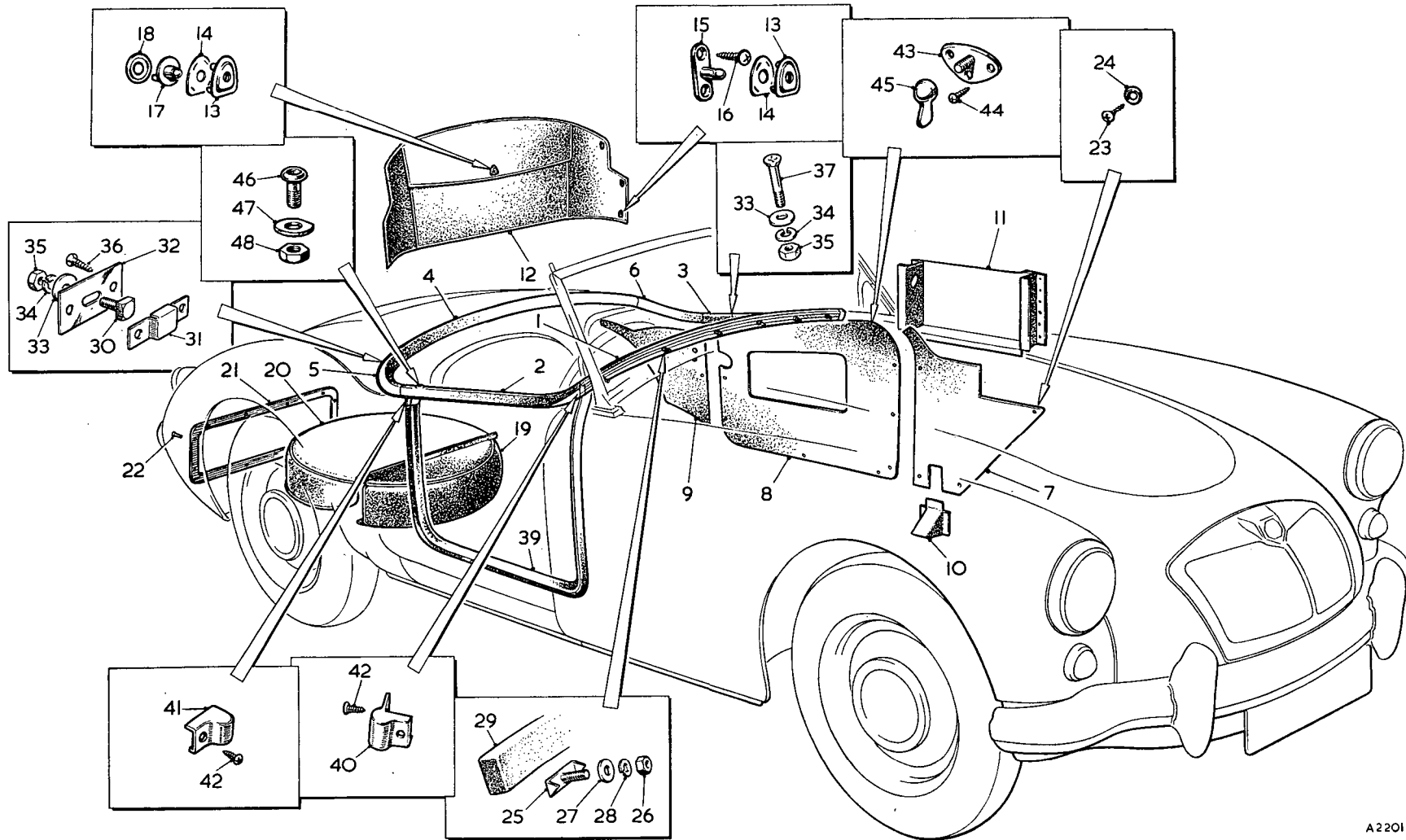
**SERVICE PARTS LIST**

**THE M.G. Series MGA 1500**

Item No.	DESCRIPTION	Commencing (C) 10101		Qty. per Vehicle		Unit of Issue	Type of Vehicle	MODIFICATIONS			REMARKS
		Part Number	Illus. No.	RHD	LHD			New Part Number	Change Point	Amdt. No.	
	<b>TRIMMING</b>										
1	<b>Dash trim roll assembly—all colours</b>	<b>AFH2555</b>	<b>RL1</b>	<b>1</b>	<b>1</b>				<b>Fin. (B) 5499</b>		
2	Dash trim roll assembly—Red			1	1			AFH3740			
3	Dash trim roll assembly—Green			1	1			AFH6468			
4	Dash trim roll assembly—Grey			1	1			AFH6469			
5	Dash trim roll assembly—Black/Red			1	1			AFH6470	Com. (B) 5500		
6	Dash trim roll assembly—Black/Green			1	1			AFH6471			
7	Dash trim roll assembly—Black/Grey			1	1			AFH6472			
8	Dash trim roll assembly—Black/White			1	1			AFH6473			
9	<b>Door trim roll assembly—R/H—all colours</b>	<b>AFH2556</b>	<b>RL2</b>	<b>1</b>	<b>1</b>				<b>Fin. (B) 5499</b>		
10	Door trim roll assembly—R/H—Red			1	1			AFH3742			
11	Door trim roll assembly—R/H—Green			1	1			AFH6492			
12	Door trim roll assembly—R/H—Grey			1	1			AFH6494			
13	Door trim roll assembly—R/H—Black/Red			1	1			AFH6496	Com. (B) 5500		
14	Door trim roll assembly—R/H—Black/Green			1	1			AFH6498			
15	Door trim roll assembly—R/H—Black/Grey			1	1			AFH6500			
16	Door trim roll assembly—R/H—Black/White			1	1			AFH6502			
17	<b>Door trim roll assembly—L/H—all colours</b>	<b>AFH2557</b>	<b>RL3</b>	<b>1</b>	<b>1</b>				<b>Fin. (B) 5499</b>		
18	Door trim roll assembly—L/H—Red			1	1			AFH3743			
19	Door trim roll assembly—L/H—Green			1	1			AFH6493			
20	Door trim roll assembly—L/H—Grey			1	1			AFH6495			
21	Door trim roll assembly—L/H—Black/Red			1	1		Tourer	AFH6497	Com. (B) 5500		
22	Door trim roll assembly—L/H—Black/Green			1	1			AFH6499			
23	Door trim roll assembly—L/H—Black/Grey			1	1			AFH6501			
24	Door trim roll assembly—L/H—Black/White			1	1			AFH6503			
25	<b>Rear trim roll assembly—centre—all colours</b>	<b>AFH2566</b>	<b>RL4</b>	<b>1</b>	<b>1</b>				<b>Fin. (B) 5499</b>		
26	Rear trim roll assembly—centre—Red			1	1			AFH3741			
27	Rear trim roll assembly—centre—Green			1	1			AFH6474			
28	Rear trim roll assembly—centre—Grey			1	1			AFH6475			
29	Rear trim roll assembly—centre—Black/Red			1	1			AFH6476	Com. (B) 5500		
30	Rear trim roll assembly—centre—Black/Green			1	1			AFH6477			
31	Rear trim roll assembly—centre—Black/Grey			1	1			AFH6478			
32	Rear trim roll assembly—centre—Black/White			1	1			AFH6479			
33	<b>Rear trim roll assembly—R/H end—all colours</b>	<b>AFH2558</b>	<b>RL5</b>	<b>1</b>	<b>1</b>				<b>Fin. (B) 5499</b>		
34	Rear trim roll assembly—R/H end—Red			1	1			AFH3744			
35	Rear trim roll assembly—R/H end—Green			1	1			AFH6480			
36	Rear trim roll assembly—R/H end—Grey			1	1			AFH6482			
37	Rear trim roll assembly—R/H end—Black/Red			1	1			AFH6484	Com. (B) 5500		
38	Rear trim roll assembly—R/H end—Black/Green			1	1			AFH6486			
39	Rear trim roll assembly—R/H end—Black/Grey			1	1			AFH6488			
40	Rear trim roll assembly—R/H end—Black/White			1	1			AFH6490			



A2201



A2201

**SERVICE PARTS LIST**

**THE M.G. Series MGA 1500**

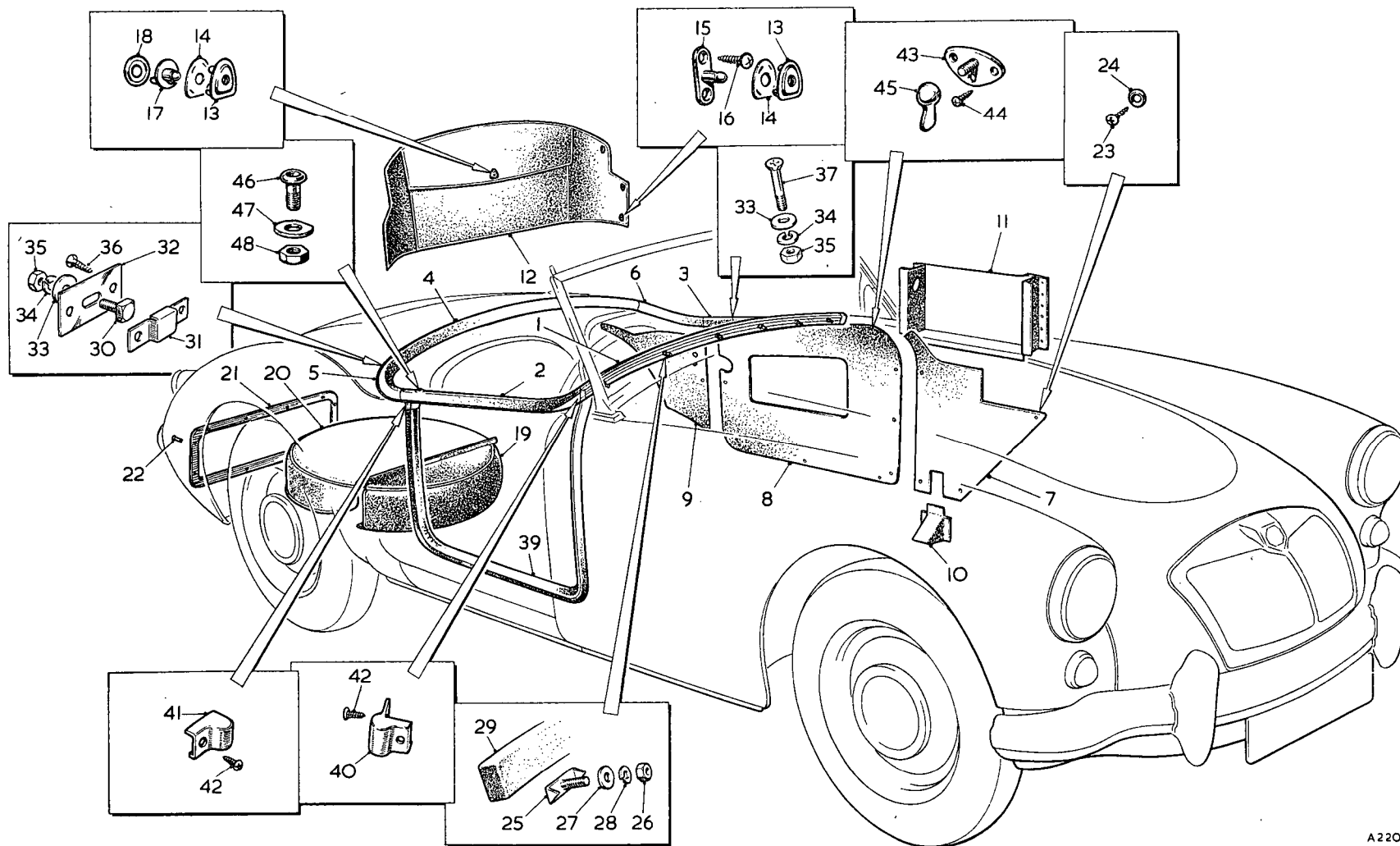
Item No.	DESCRIPTION	Commencing (C) 10101		Qty. per Vehicle		Unit of Issue	Type of Vehicle	MODIFICATIONS			REMARKS
		Part Number	Illus. No.	RHD	LHD			New Part Number	Change Point	Amdt. No.	
	<b>Trimming—continued</b>										
1	<b>Rear trim roll assembly—L/H end—all colours</b>	<b>AFH2559</b>	<b>RL6</b>	<b>1</b>	<b>1</b>						
2	Rear trim roll assembly—L/H end—Red			1	1			AFH3745	] Fin. (B) 5499 Com. (B) 5500		
3	Rear trim roll assembly—L/H end—Green			1	1			AFH6481			
4	Rear trim roll assembly—L/H end—Grey			1	1			AFH6483			
5	Rear trim roll assembly—L/H end—Black/Red			1	1			AFH6485			
6	Rear trim roll assembly—L/H end—Black/Green			1	1			AFH6487			
7	Rear trim roll assembly—L/H end—Black/Grey			1	1			AFH6489			
8	Rear trim roll assembly—L/H end—Black/White			1	1			AFH6491			
9	<b>Liner assembly—dash side—R/H—Red</b>	<b>AFH2560</b>		<b>1</b>	<b>1</b>						
10	Liner assembly—dash side—R/H—Green	AFH6504		1	1						
11	Liner assembly—dash side—R/H—Grey	AFH6506		1	1						
12	Liner assembly—dash side—R/H—Black	AFH6508		1	1						
13	<b>Liner assembly—dash side—L/H—Red</b>	<b>AFH2561</b>	<b>RL7</b>	<b>1</b>	<b>1</b>						
14	Liner assembly—dash side—L/H—Green	AFH6505		1	1						
15	Liner assembly—dash side—L/H—Grey	AFH6507		1	1						
16	Liner assembly—dash side—L/H—Black	AFH6509		1	1						
17	<b>Liner assembly—door—R/H—Red</b>	<b>AFH2562</b>		<b>1</b>	<b>1</b>						
18	Liner assembly—door—R/H—Green	AFH6510		1	1						
19	Liner assembly—door—R/H—Grey	AFH6512		1	1						
20	Liner assembly—door—R/H—Black	AFH6514		1	1						
21	<b>Liner assembly—door—L/H—Red</b>	<b>AFH2563</b>	<b>RL8</b>	<b>1</b>	<b>1</b>						
22	Liner assembly—door—L/H—Green	AFH6511		1	1		Tourer				
23	Liner assembly—door—L/H—Grey	AFH6513		1	1						
24	Liner assembly—door—L/H—Black	AFH6515		1	1						
25	<b>Liner assembly—rear quarter—R/H—Red</b>	<b>AFH2564</b>		<b>1</b>	<b>1</b>						
26	Liner assembly—rear quarter—R/H—Green	AFH6516		1	1						
27	Liner assembly—rear quarter—R/H—Grey	AFH6518		1	1						
28	Liner assembly—rear quarter—R/H—Black	AFH6520		1	1						
29	<b>Liner assembly—rear quarter—L/H—Red</b>	<b>AFH2565</b>	<b>RL9</b>	<b>1</b>	<b>1</b>						
30	Liner assembly—rear quarter—L/H—Green	AFH6517		1	1						
31	Liner assembly—rear quarter—L/H—Grey	AFH6519		1	1						
32	Liner assembly—rear quarter—L/H—Black	AFH6521		1	1						
33	<b>Dash side mounting cover assembly—Red</b>	<b>AFH2567</b>	<b>RL10</b>	<b>2</b>	<b>2</b>						
34	Dash side mounting cover assembly—Green	AFH5606		2	2						
35	Dash side mounting cover assembly—Grey	AFH5607		2	2						
36	Dash side mounting cover assembly—Black	AFH5608		2	2						
37	<b>Door pocket assembly—R/H—Red</b>	<b>AFH2568</b>		<b>1</b>	<b>1</b>						
38	Door pocket assembly—R/H—Green	AFH6522		1	1						
39	Door pocket assembly—R/H—Grey	AFH6524		1	1						
40	Door pocket assembly—R/H—Black	AFH6526		1	1						
41	<b>Door pocket assembly—L/H—Red</b>	<b>AFH2569</b>	<b>RL11</b>	<b>1</b>	<b>1</b>						
42	Door pocket assembly—L/H—Green	AFH6523		1	1						
43	Door pocket assembly—L/H—Grey	AFH6525		1	1						
44	Door pocket assembly—L/H—Black	AFH6527		1	1						

SERVICE PARTS LIST

THE M.G. Series MGA 1500

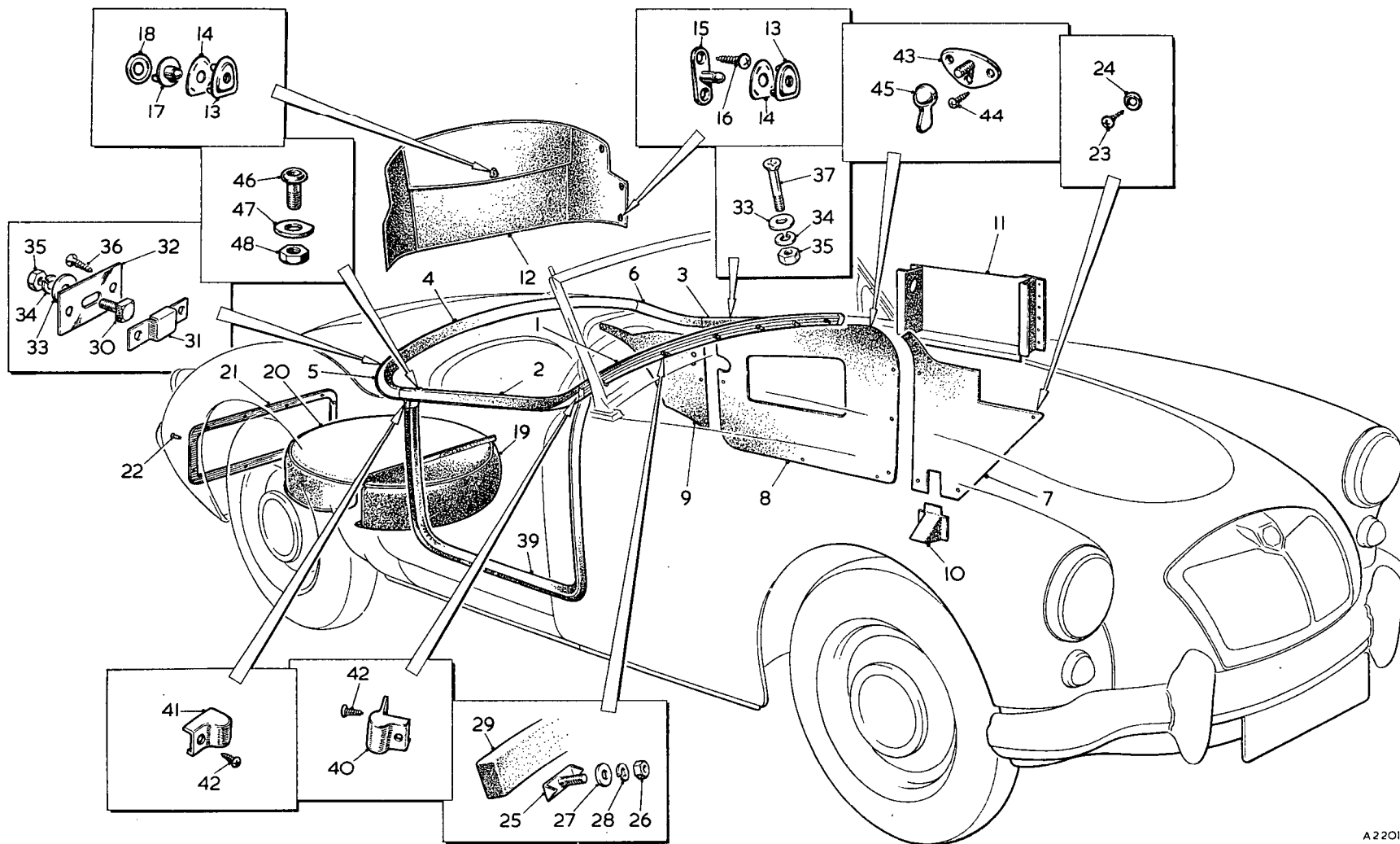
Item No.	DESCRIPTION	Commencing (C) 10101		Qty. per Vehicle		Unit of Issue	Type of Vehicle	MODIFICATIONS			REMARKS
		Part Number	Illus. No.	RHD	LHD			New Part Number	Change Point	Amdt. No.	
	<b>Trimming—continued</b>										
1	<b>Stowage assembly—side-curtain—Red</b>	<b>AFH2570</b>	<b>RL12</b>	<b>1</b>	<b>1</b>						
2	Stowage assembly—side-curtain—Green	AFH5896		1	1						
3	Stowage assembly—side-curtain—Grey	AFH5897		1	1						
4	Stowage assembly—side-curtain—Black	AFH5898		1	1						
5	<b>Centre arm-rest cover assembly—Red</b>	<b>AFH2609</b>		<b>1</b>	<b>1</b>						
6	Centre arm-rest cover assembly—Green	AFH6462		1	1						
7	Centre arm-rest cover assembly—Grey	AFH6463		1	1						
8	Centre arm-rest cover assembly—Black/Red	AFH6464		1	1						
9	Centre arm-rest cover assembly—Black/Green	AFH6465		1	1						
10	Centre arm-rest cover assembly—Black/Grey	AFH6466		1	1						
11	Centre arm-rest cover assembly—Black/White	AFH6467		1	1						
12	<b>Piping for trim roll—Red</b>	<b>AFH4835</b>		<b>A/R</b>	<b>A/R</b>						
13	Piping for trim roll—Green	AFH4836		A/R	A/R						
14	Piping for trim roll—Grey	AFH4837		A/R	A/R						
15	Piping for trim roll—White	AFH4838		A/R	A/R						
16	Lift-the-dot fastener	7H9961	RL13	7	7						
17	Lift-the-dot clinch plate	7H9963	RL14	7	7						
18	Screw—base peg	97H499	RL15	6	6						
19	Screw—peg	RTP605	RL16	12	12						
20	Pronged clinch	7H9964	RL17	1	1						
21	Plate for pronged clinch	7H9960	RL18	1	1						
22	<b>Spare wheel cover—front</b>	<b>AFH2571</b>	<b>RL19</b>	<b>1</b>	<b>1</b>		Tourer				
23	<b>Spare wheel cover—rear</b>	<b>AFH2572</b>	<b>RL20</b>	<b>1</b>	<b>1</b>						
24	Spare wheel cover frame	AFH1731	RL21	1	1						
25	Rivets for cover frame	AFH5452	RL22	12	12						
26	Screw fixing door liner	RTP407		4	4						
27	Screw fixing liner and pockets	RTP404	RL23	4	4						
28	Cup washer for liner and pockets screw	7701	RL24	8	8						
29	Bolt fixing trim roll end—dash	AFH1900	RL25	6	6						
30	Nut for dash trim roll bolt	FNZ103	RL26	6	6						
31	Washer (plain)	PWZ203	RL27	6	6						
32	Washer (spring)	LWZ203	RL28	6	6						
33	Trim roll rubber for bonnet surround	AFH1846	RL29	1	1						
34	Bolt (special) for trim roll	AFH2819	RL30	9	9						
35	Retainer for special bolt	AFH2820	RL31	9	9						
36	Base plate for retainer	AFH2821	RL32	9	9						
37	Washer (plain) for trim roll to body	PWZ203	RL33	15	15						
38	Washer (spring) for trim roll to body	LWZ203	RL34	15	15						
39	Nut for trim roll to body	FNZ103	RL35	15	15						
40	Screw fixing retainer to trim roll	CTZ604	RL36	18	18						
41	Screw fixing trim roll	CMZ0320	RL37	6	6						
42	Screw fixing tacking strip to castings	CTZ403		14	14						

Supply in sets prior to (B) 5500



A2201





A2201

**SERVICE PARTS LIST**

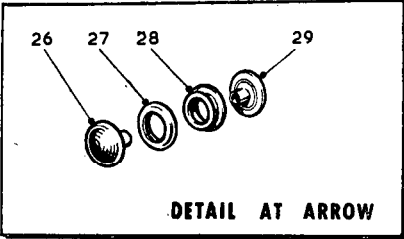
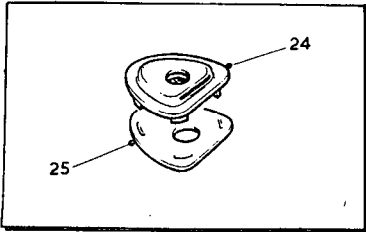
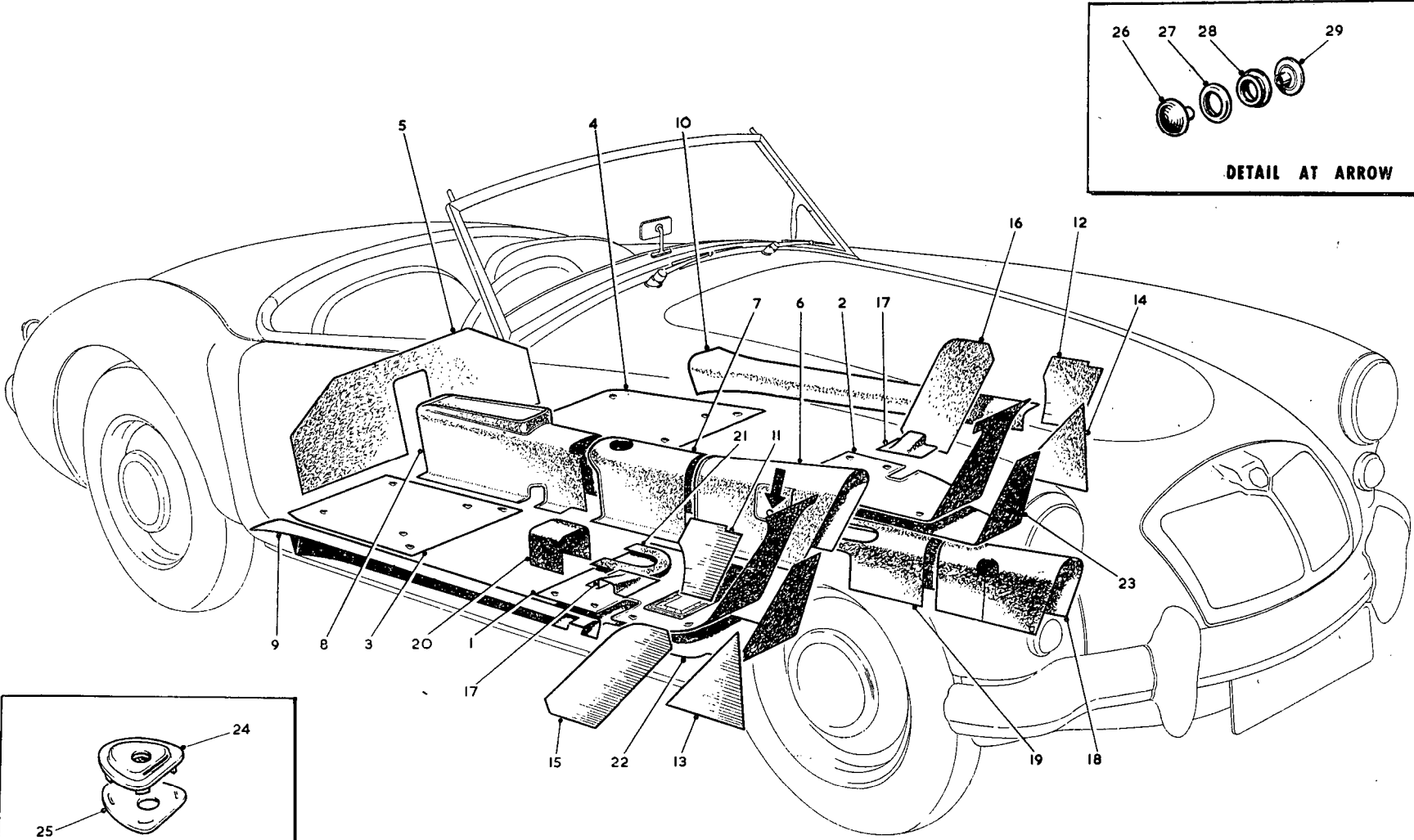
**THE M.G. Series MGA 1500**

Item No.	DESCRIPTION	Commencing (C) 10101		Qty. per Vehicle		Unit of Issue	Type of Vehicle	MODIFICATIONS			REMARKS
		Part Number	Illus. No.	RHD	LHD			New Part Number	Change Point	Amdt. No.	
	<b>Trimming—continued</b>										
1	<b>Door sealing rubber and clip assembly—63"—Red</b>	<b>AFH2451</b>	<b>RL39</b>	<b>2</b>	<b>2</b>						
2	Door sealing rubber and clip assembly—63"—Green	AFH2452		2	2						
3	Door sealing rubber and clip assembly—63"—Grey	AFH2453		2	2						
4	Door sealing rubber and clip assembly—63"—Black	AFH2455		2	2						
5	Finisher—hinge pillar—R/H door seal	AFH2574	RL40	1	1						
6	Finisher—hinge pillar	AFH2575		1	1						
7	Finisher—shut pillar—R/H door seal	AFH2576	RL41	1	1						
8	Finisher—shut pillar—L/H door seal	AFH2577		1	1						
9	Screw fixing finisher	RTP605	RL42	8	8						
10	Stud fixing side-curtain	MB21959	RL43	2	2		Tourer				
11	Screw fixing side-curtain stud	RTP805	RL44	6	6						
12	Locking handle for side-curtain	MB19331	RL45	2	2						
13	Socket for curtain peg	AFH1744	RL46	2	2						
14	Washer (special) for curtain peg socket	AFH2579	RL47	2	2						
15	Nut for curtain peg socket	FNZ208	RL48	2	2						
16	Leathercloth (Red)—50" wide	AFH1831		A/R	A/R						
17	Leathercloth (Green)—50" wide	AFH1832		A/R	A/R						
18	Leathercloth (Grey)—50" wide	AFH1833		A/R	A/R						
19	Leathercloth (Black)—50" wide	AFH1834		A/R	A/R						

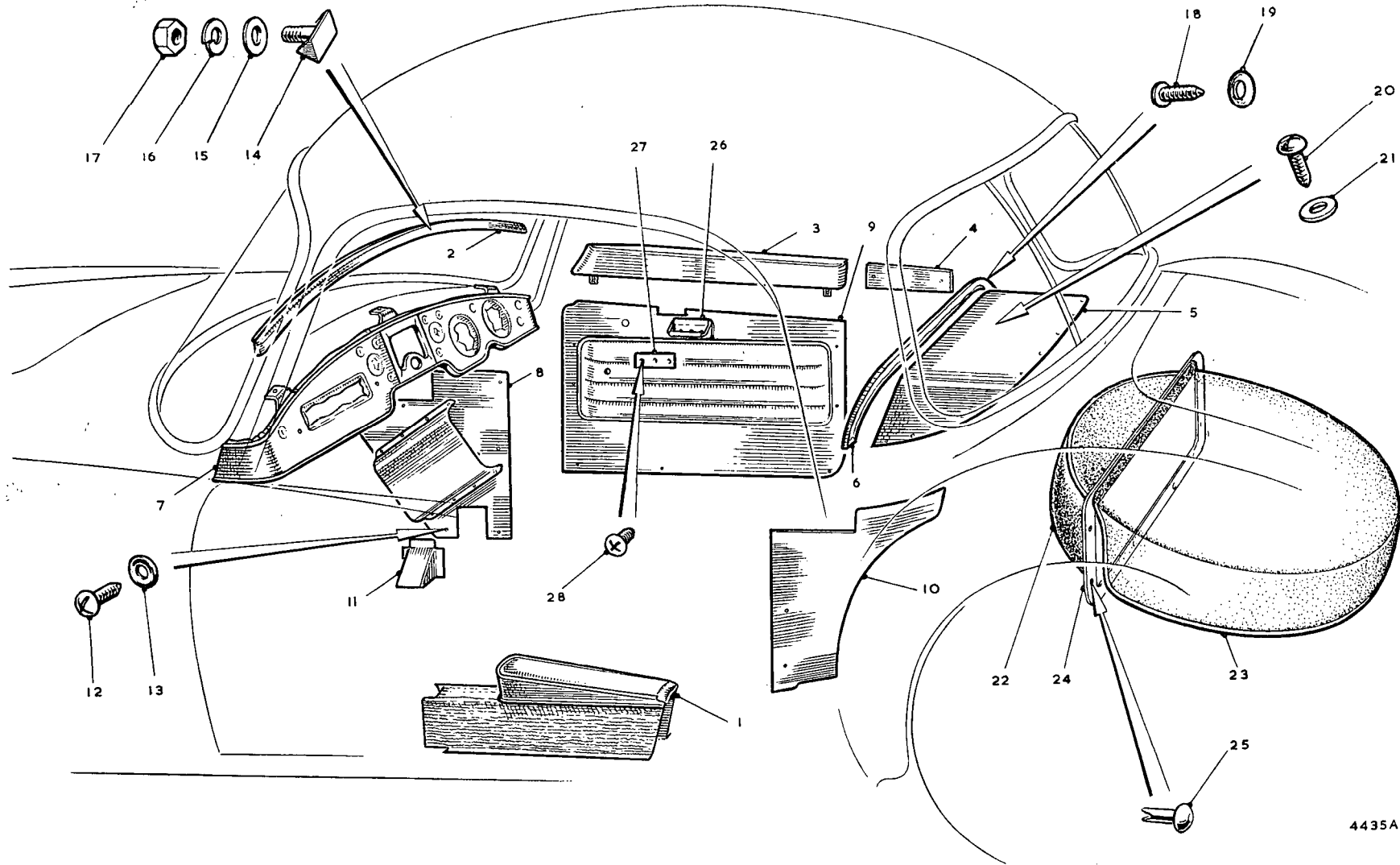
**SERVICE PARTS LIST**

**THE M.G. Series MGA 1500**

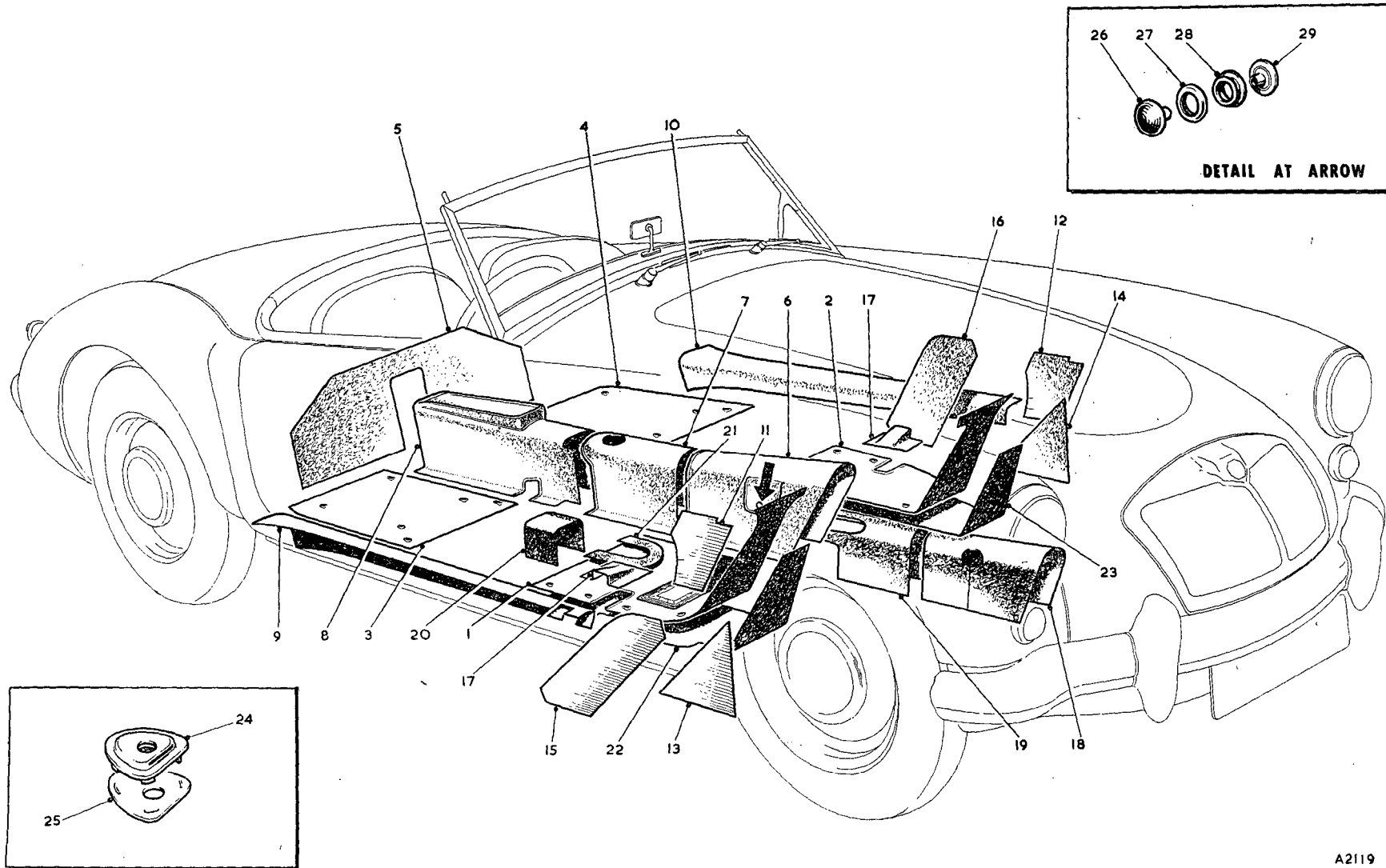
Item No.	DESCRIPTION	Commencing (C) 10101		Qty. per Vehicle		Unit of Issue	Type of Vehicle	MODIFICATIONS			REMARKS
		Part Number	Illus. No.	RHD	LHD			New Part Number	Change Point	Amdt. No.	
	<b>Trimming—continued</b>										
1	<b>Carpet—front—R/H assembly</b>	<b>AFH1850</b>	<b>RM1</b>	<b>1</b>				<b>AFH6528</b>	<b>Com. (C) 61504</b>		
2	<b>Carpet—front—L/H assembly</b>	<b>AFH1851</b>	<b>RM2</b>	<b>1</b>							
3	Carpet—front—R/H assembly	AFH2468			1			AFH6530	Com. (C) 61504		
4	Carpet—front—L/H assembly	AFH2469			1						
5	<b>Carpet—rear—R/H assembly</b>	<b>AFH1854</b>	<b>RM3</b>	<b>1</b>	<b>1</b>						
6	<b>Carpet—rear—L/H assembly</b>	<b>AFH1855</b>	<b>RM4</b>	<b>1</b>	<b>1</b>						
7	Carpet—heelboard	AFH1856	RM5	1	1						
8	Carpet—tunnel—front assembly	AFH1857	RM6	1	1			AFH6529	Com. (C) 61504		
9	Carpet—tunnel—intermediate assembly	AFH2474	RM7	1	1						
10	Carpet—tunnel—rear (Black)—and arm-rest assembly—Red	AFH1860	RM8	1	1						
11	Carpet—tunnel—rear (Black)—and arm-rest assembly—Green	AFH6544		1	1						
12	Carpet—tunnel—rear (Black)—and arm-rest assembly—Grey	AFH6545		1	1						
13	Carpet—tunnel—rear (Black)—and arm-rest assembly—Black/Red	AFH6546		1	1						
14	Carpet—tunnel—rear (Black)—and arm-rest assembly—Black/Green	AFH6547		1	1						
15	Carpet—tunnel—rear (Black)—and arm-rest assembly—Black/Grey	AFH6548		1	1						
16	Carpet—tunnel—rear (Black)—and arm-rest assembly—Black/White	AFH6549		1	1						
17	Carpet—R/H sill	AFH1862	RM9	1	1						
18	Carpet—L/H sill	AFH1863	RM10	1	1						
19	<b>Carpet—R/H toeboard end</b>	<b>AFH1864</b>	<b>RM11</b>	<b>1</b>			Tourer				
20	<b>Carpet—L/H toeboard end</b>	<b>AFH1865</b>	<b>RM12</b>	<b>1</b>							
21	Carpet—R/H toeboard end	AFH2472			1						
22	Carpet—L/H toeboard end	AFH2473			1						
23	Carpet—R/H dash side recess	AFH1866	RM13	1	1						
24	Carpet—L/H dash side recess	AFH1867	RM14	1	1						
25	Carpet—R/H front bulkhead rear strut	AFH1868	RM15	1	1						
26	Carpet—L/H front bulkhead rear strut	AFH1869	RM16	1	1						
27	Carpet—chassis cross-member	AFH2476	RM17	2	2						
28	Felt—gearbox cover	AFH2477	RM18	1	1						
29	Felt—front tunnel	AFH1847	RM19	1	1						
30	Felt—rear tunnel	AFH2478	RM20	1	1						
31	Felt—tunnel top	AFH2479	RM21	1	1						
32	Felt—R/H front	AFH1848	RM22	1							
33	Felt—L/H front	AFH1849	RM23	1							
34	Felt—R/H front	AFH2480			1						
35	Felt—L/H front	AFH2481			1						
36	Lift-the-dot fastener—carpets	7H9962	RM24	16	16						
37	Clinch plate—carpets	7H9963	RM25	16	16						
38	Durable dot button—carpet—tunnel	7H9864	RM26	1	1						
39	Durable dot socket—carpet—tunnel	7H9866	RM27	1	1						
40	Durable dot stud—carpet—tunnel	7H9867	RM28	1	1						
41	Durable dot eyelet—carpet—tunnel	7H9868	RM29	1	1						
42	<b>Carpet—bulk—40" wide</b>	<b>ADE539</b>		<b>A/R</b>	<b>A/R</b>						



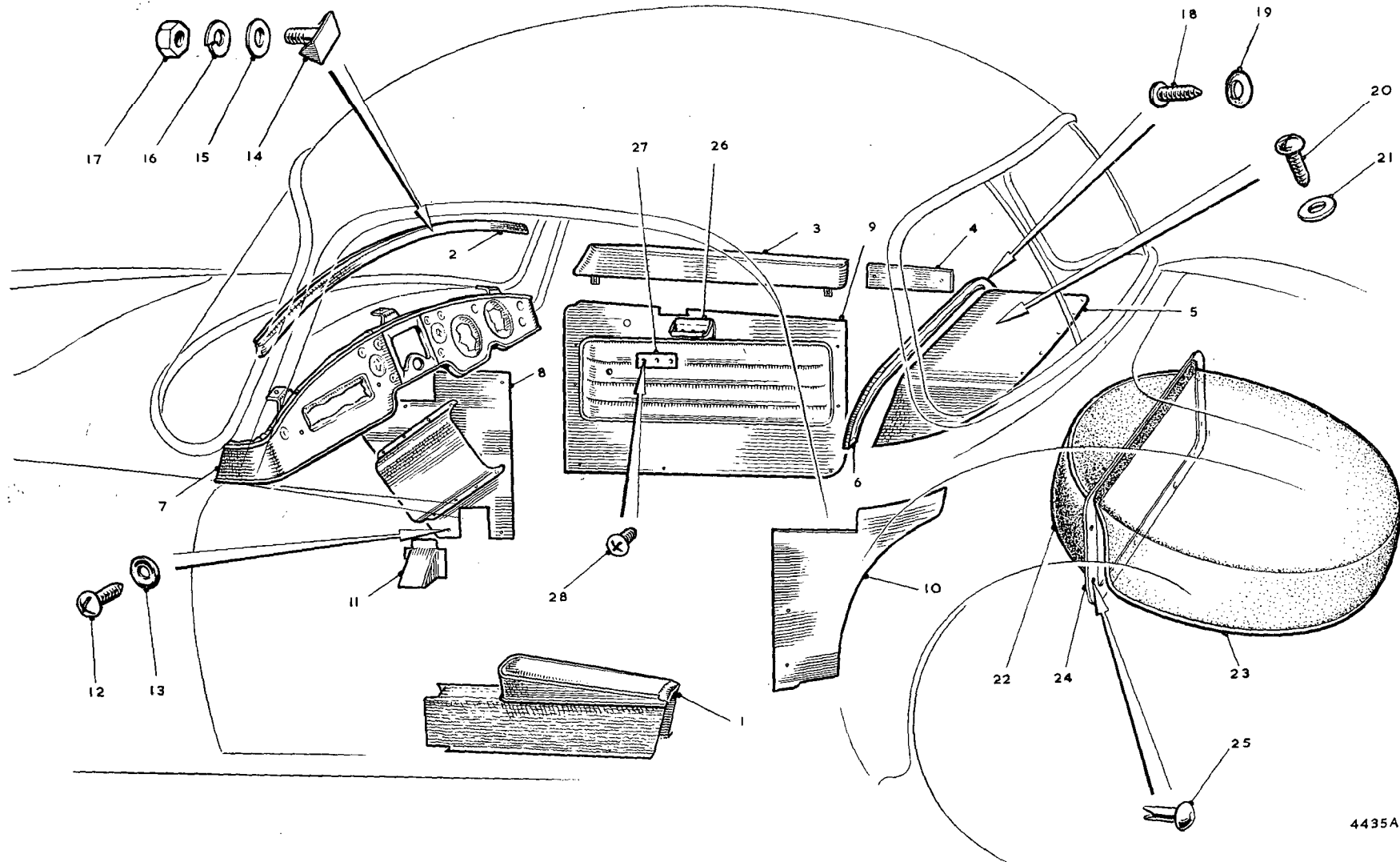
A2119



4435A



A2119



4435A

**SERVICE PARTS LIST**

**THE M.G. Series MGA 1500**

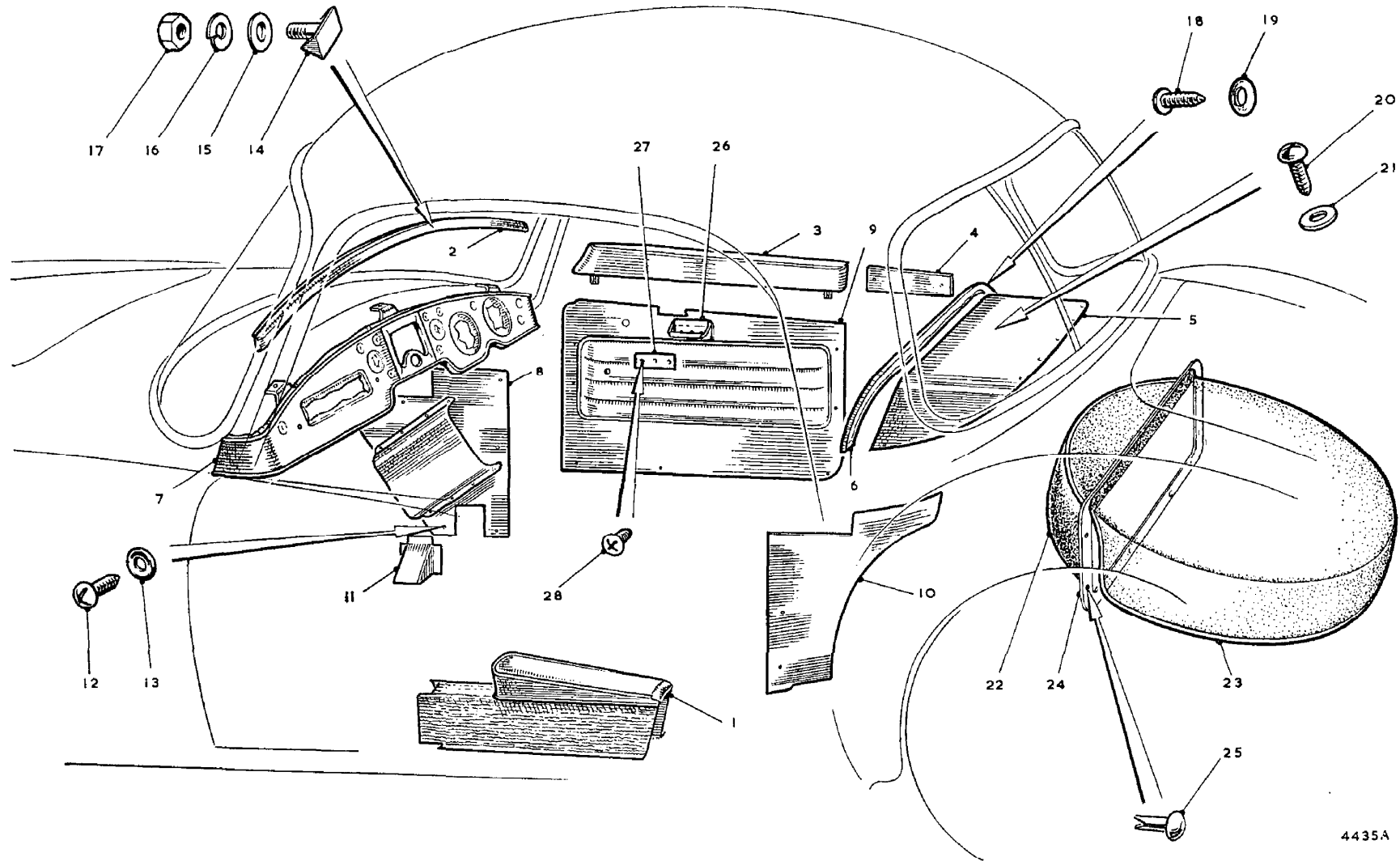
Item No.	DESCRIPTION	Commencing (C) 20671		Qty. per Vehicle		Unit of Issue	Type of Vehicle	MODIFICATIONS			REMARKS
		Part Number	Illus. No.	RHD	LHD			New Part Number	Change Point	Amdt. No.	
	<b>Trimming—continued</b>										
1	<b>Centre arm-rest cover assembly—Red</b>	<b>AFH4631</b>	<b>RN1</b>	<b>1</b>	<b>1</b>		Coupe				
2	Centre arm-rest cover assembly—Green	AFH5550		1	1						
3	Centre arm-rest cover assembly—Grey	AFH5551		1	1						
4	Centre arm-rest cover assembly—Black/White	AFH5552		1	1						
5	Centre arm-rest cover assembly—Black/Red	AFH5553		1	1						
6	Centre arm-rest cover assembly—Black/Green	AFH5554		1	1						
7	Centre arm-rest cover assembly—Black/Blue	AFH5555		1	1						
8	<b>Dash trim roll assembly—Red</b>	<b>AFH4652</b>	<b>RN2</b>	<b>1</b>	<b>1</b>						
9	Dash trim roll assembly—Green	AFH5556		1	1						
10	Dash trim roll assembly—Grey	AFH5557		1	1						
11	Dash trim roll assembly—Blue	AFH5558		1	1						
12	Dash trim roll assembly—White	AFH5559		1	1						
13	Dash trim roll assembly—Black	AFH5560		1	1						
14	<b>Door capping assembly—R/H } Red</b>	<b>AFH4648</b>	<b>RN3</b>	<b>1</b>	<b>1</b>						
15	<b>Door capping assembly—L/H } Red</b>	<b>AFH4649</b>		<b>1</b>	<b>1</b>						
16	Door capping assembly—R/H } Green	AFH5586		1	1						
17	Door capping assembly—L/H } Green	AFH5587		1	1						
18	Door capping assembly—R/H } Grey	AFH5588		1	1						
19	Door capping assembly—L/H } Grey	AFH5589		1	1						
20	Door capping assembly—R/H } Blue	AFH5590		1	1						
21	Door capping assembly—L/H } Blue	AFH5591		1	1						
22	Door capping assembly—R/H } White	AFH5592		1	1						
23	Door capping assembly—L/H } White	AFH5593		1	1						
24	Door capping assembly—R/H } Black	AFH5594		1	1						
25	Door capping assembly—L/H } Black	AFH5595		1	1						
26	<b>Rear quarter capping assembly—R/H } Red</b>	<b>AFH4650</b>	<b>RN4</b>	<b>1</b>	<b>1</b>						
27	<b>Rear quarter capping assembly—L/H } Red</b>	<b>AFH4651</b>		<b>1</b>	<b>1</b>						
28	Rear quarter capping assembly—R/H } Green	AFH5596		1	1						
29	Rear quarter capping assembly—L/H } Green	AFH5597		1	1						
30	Rear quarter capping assembly—R/H } Grey	AFH5598		1	1						
31	Rear quarter capping assembly—L/H } Grey	AFH5599		1	1						
32	Rear quarter capping assembly—R/H } Blue	AFH5600		1	1						
33	Rear quarter capping assembly—L/H } Blue	AFH5601		1	1						
34	Rear quarter capping assembly—R/H } White	AFH5602		1	1						
35	Rear quarter capping assembly—L/H } White	AFH5603		1	1						
36	Rear quarter capping assembly—R/H } Black	AFH5604		1	1						
37	Rear quarter capping assembly—L/H } Black	AFH5605		1	1						
38	<b>Rear shelf assembly—Red</b>	<b>AFH4660</b>	<b>RN5</b>	<b>1</b>	<b>1</b>						
39	Rear shelf assembly—Green	AFH5609		1	1						
40	Rear shelf assembly—Grey	AFH5610		1	1						
41	Rear shelf assembly—Blue	AFH5611		1	1						
42	Rear shelf assembly—White	AFH5612		1	1						
43	Rear shelf assembly—Black	AFH5613		1	1						



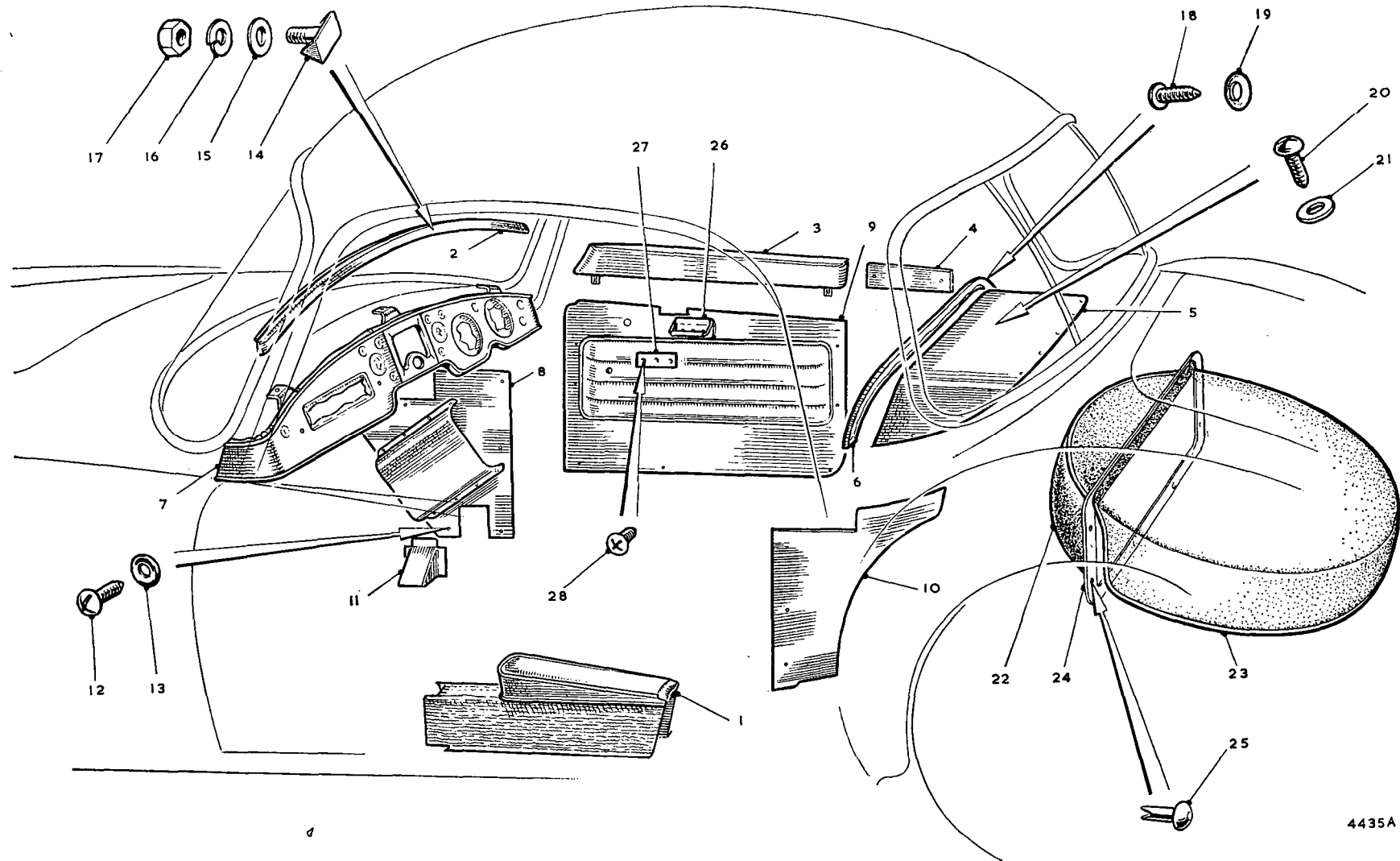
**SERVICE PARTS LIST**

**THE M.G. Series MGA 1500**

Item No.	DESCRIPTION	Commencing (C) 20671		Qty. per Vehicle		Unit of Issue	Type of Vehicle	MODIFICATIONS			REMARKS
		Part Number	Illus. No.	RHD	LHD			New Part Number	Change Point	Amdt. No.	
	<b>Trimming—continued</b>										
1	<b>Fillet assembly—rear shelf—Red</b>	<b>AFH4656</b>	<b>RN6</b>	1	1						
2	Fillet assembly—rear shelf—Green	AFH5614		1	1						
3	Fillet assembly—rear shelf—Grey	AFH5615		1	1						
4	Fillet assembly—rear shelf—Blue	AFH5616		1	1						
5	Fillet assembly—rear shelf—White	AFH5617		1	1						
6	Fillet assembly—rear shelf—Black	AFH5618		1	1						
7	<b>Fascia panel assembly } Red</b>	<b>AFH4658</b>	<b>RN7</b>	1							
8	<b>Fascia panel assembly } Red</b>	<b>AFH4659</b>			1						
9	Fascia panel assembly } Green	AFH5620		1							
10	Fascia panel assembly } Green	AFH5621			1						
11	Fascia panel assembly } Grey	AFH5622		1							
12	Fascia panel assembly } Grey	AFH5623			1						
13	Fascia panel assembly } Blue	AFH5624		1							
14	Fascia panel assembly } Blue	AFH5625			1						
15	Fascia panel assembly } White	AFH5626		1							
16	Fascia panel assembly } White	AFH5627			1						
17	Fascia panel assembly } Black	AFH5628		1							
18	Fascia panel assembly } Black	AFH5629			1						
19	<b>Liner assembly—dash—with map pocket—R/H } Red</b>	<b>AFH4642</b>	<b>RN8</b>	1	1						
20	<b>Liner assembly—dash—with map pocket—L/H } Red</b>	<b>AFH4643</b>		1	1		Coupé				
21	Liner assembly—dash—with map pocket—R/H } Green	AFH5562		1	1						
22	Liner assembly—dash—with map pocket—L/H } Green	AFH5563		1	1						
23	Liner assembly—dash—with map pocket—R/H } Grey	AFH5564		1	1						
24	Liner assembly—dash—with map pocket—L/H } Grey	AFH5565		1	1						
25	Liner assembly—dash—with map pocket—R/H } Black	AFH5566		1	1						
26	Liner assembly—dash—with map pocket—L/H } Black	AFH5567		1	1						
27	<b>Liner assembly—door—R/H } Red</b>	<b>AFH4644</b>	<b>RN9</b>	1	1						
28	<b>Liner assembly—door—L/H } Red</b>	<b>AFH4645</b>		1	1						
29	Liner assembly—door—R/H } Green	AFH5568		1	1						
30	Liner assembly—door—L/H } Green	AFH5569		1	1						
31	Liner assembly—door—R/H } Grey	AFH5570		1	1						
32	Liner assembly—door—L/H } Grey	AFH5571		1	1						
33	Liner assembly—door—R/H } Black/White	AFH5572		1	1						
34	Liner assembly—door—L/H } Black/White	AFH5573		1	1						
35	Liner assembly—door—R/H } Black/Red	AFH5574		1	1						
36	Liner assembly—door—L/H } Black/Red	AFH5575		1	1						
37	Liner assembly—door—R/H } Black/Green	AFH5576		1	1						
38	Liner assembly—door—L/H } Black/Green	AFH5577		1	1						
39	Liner assembly—door—R/H } Black/Blue	AFH5578		1	1						
40	Liner assembly—door—L/H } Black/Blue	AFH5579		1	1						
41	Fillet assembly—header trim	AFH4653		1	1						
42	Fillet assembly—cant rail—R/H	AFH4654		1	1						
43	Fillet assembly—cant rail—L/H	AFH4655		1	1						



4435A



4435A

SERVICE PARTS LIST

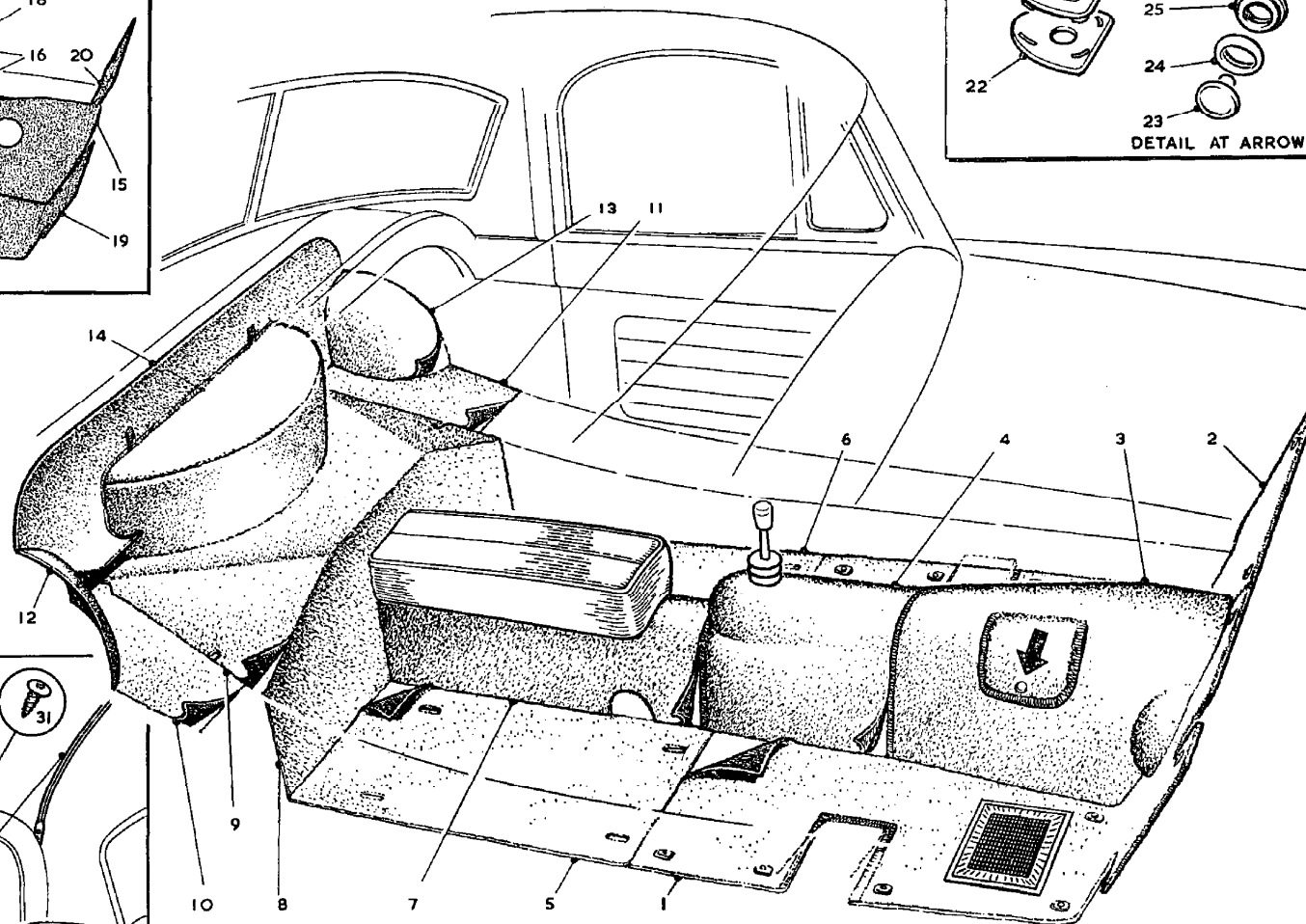
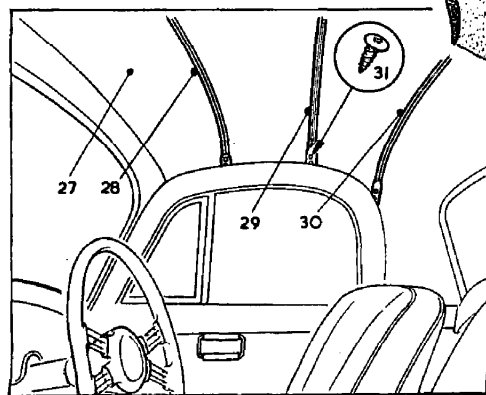
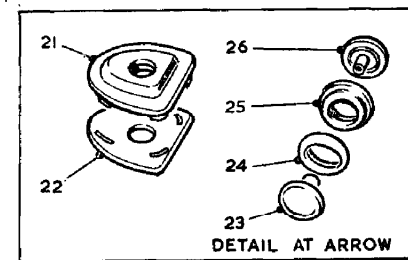
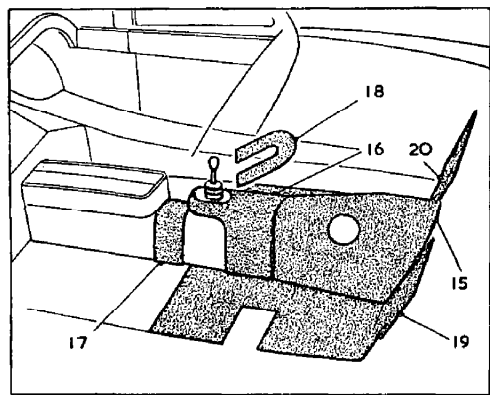
THE M.G. Series MGA 1500

Item No.	DESCRIPTION	Commencing (C) 20671		Qty. per Vehicle		Unit of Issue	Type of Vehicle	MODIFICATIONS			REMARKS
		Part Number	Illus. No.	RHD	LHD			New Part Number	Change Point	Amdt. No.	
	<b>Trimming—continued</b>										
1	Liner—rear quarter—R/H } Red	<b>AFH4646</b>	<b>RN10</b>	1	1						
2	Liner—rear quarter—L/H } Red	<b>AFH4647</b>		1	1						
3	Liner—rear quarter—R/H } Green	AFH5580		1	1						
4	Liner—rear quarter—L/H } Green	AFH5581		1	1						
5	Liner—rear quarter—R/H } Grey	AFH5582		1	1						
6	Liner—rear quarter—L/H } Grey	AFH5583		1	1						
7	Liner—rear quarter—R/H } Black	AFH5584		1	1						
8	Liner—rear quarter—L/H } Black	AFH5585		1	1						
9	<b>Dash side mounting cover—Red</b>	<b>AFH2567</b>	<b>RN11</b>	2	2						
10	Dash side mounting cover—Green	AFH5606		2	2						
11	Dash side mounting cover—Grey	AFH5607		2	2						
12	Dash side mounting cover—Black	AFH5608		2	2						
13	<b>Door sealing rubber and clips assembly—Red</b>	<b>AFH4562</b>		2	2						
14	Door sealing rubber and clips assembly—Green	AFH4563		2	2						
15	Door sealing rubber and clips assembly—Grey	AFH4564		2	2						
16	Door sealing rubber and clips assembly—Black	AFH4565		2	2						
17	Retainer for door sealing rubber—R/H	AFH2722		1	1						
18	Retainer for door sealing rubber—L/H	AFH2723		1	1						
19	Screw fixing retainer to sill	AJD8172		12	12						
20	Pad for sealing 'A' post—R/H	AFH4822		1	1						
21	Pad for sealing 'A' post—L/H	AFH4823		1	1						
22	Rubber for sealing door hinge pillar	AFH4819		2	2						
23	<b>Piping for door hinge pillar—Red</b>	<b>AFH4771</b>		2	2						
24	Piping for door hinge pillar—Green	AFH4772		2	2						
25	Piping for door hinge pillar—Grey	AFH4773		2	2		Coupe				
26	Piping for door hinge pillar—Black	AFH4774		2	2						
27	<b>Piping for trim—Red</b>	<b>AFH4835</b>		A/R	A/R						
28	Piping for trim—Green	AFH4836		A/R	A/R						
29	Piping for trim—Grey	AFH4837		A/R	A/R						
30	Piping for trim—White	AFH4838		A/R	A/R						
31	Piping for trim—Black	AFH4839		A/R	A/R						
32	Piping for trim—Blue	AFH4840		A/R	A/R						
33	Screw fixing liners to body (self-tapping)	RTP404	RN12	30	30						
34	Washer—cup—No. 4—for screw	7701	RN13	30	30						
35	Bolt (claw head) fixing dash trim roll to body	AFH1900	RN14	6	6						
36	Washer (plain)	PWZ203	RN15	6	6						
37	Washer (spring)	LWZ203	RN16	6	6						
38	Nut for claw head bolt	FNZ103	RN17	6	6						
39	Screw fixing rear shelf fillet to body	RTP606	RN18	6	6						
40	Washer—cup—No. 6—for screw	7700	RN19	6	6						
41	Screw fixing rear shelf to body	PTZ604	RN20	4	4						
42	Washer (plain)	PWZ202	RN21	4	4						
43	<b>Spare wheel cover—front</b>	<b>AFH5786</b>	<b>RN22</b>	1	1						
44	<b>Spare wheel cover—rear</b>	<b>AFH2572</b>	<b>RN23</b>	1	1						
45	Spare wheel cover frame	AFH1731	RN24	1	1						
46	Rivets for cover frame	AFH5452	RN25	12	12						
47	<b>Door-pull</b>	<b>AFH4512</b>	<b>RN26</b>	2	2						
48	Plate fixing door-pull	AFB776	RN27	2	2						
49	Screw fixing plate to door	CTZ603	RN28	6	6						

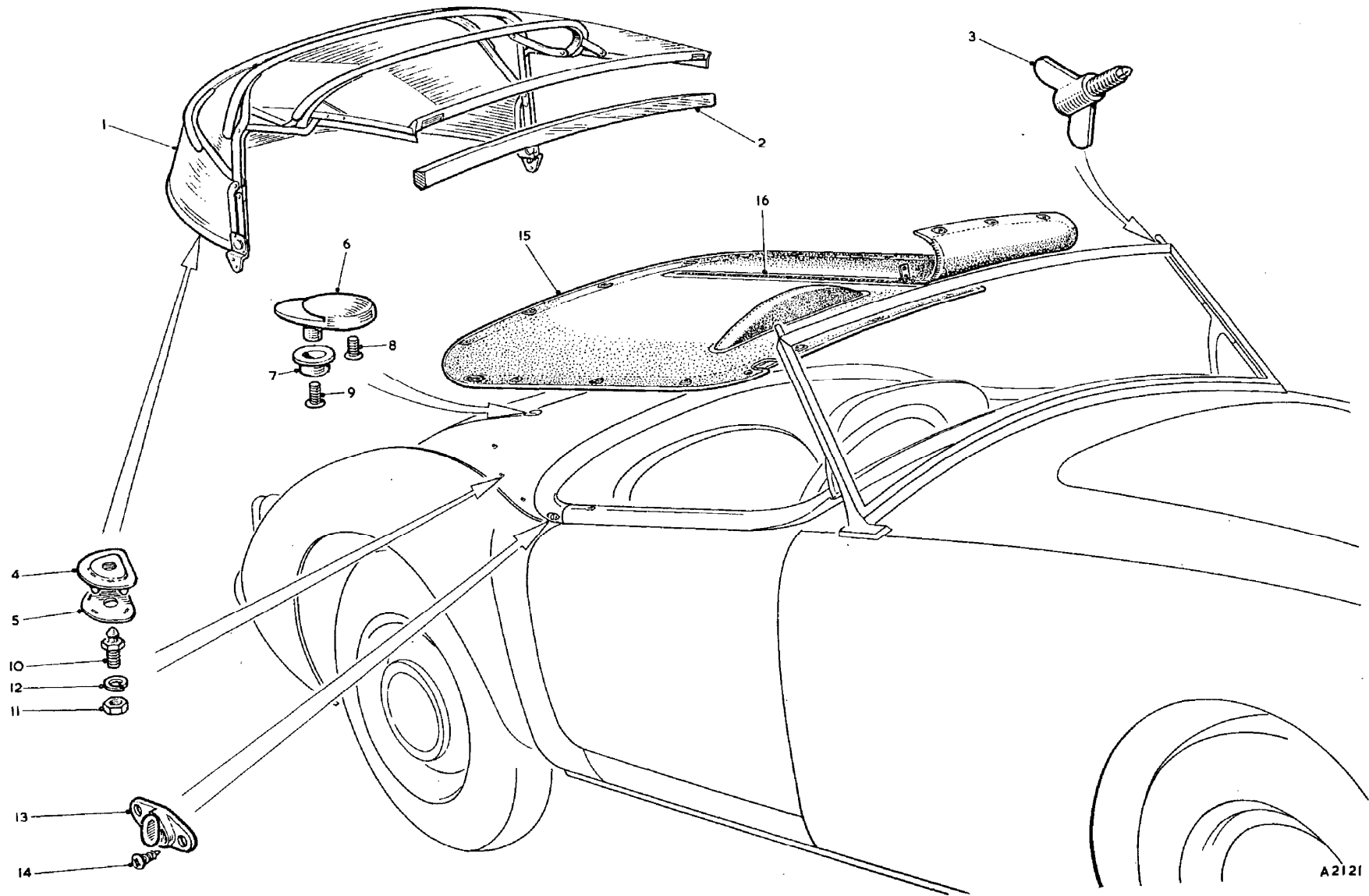
SERVICE PARTS LIST

THE M.G. Series MGA 1500

Item No.	DESCRIPTION	Commencing (C) 20671		Qty. per Vehicle		Unit of Issue	Type of Vehicle	MODIFICATIONS			REMARKS
		Part Number	Illus. No.	RHD	LHD			New Part Number	Change Point	Amdt. No.	
	<b>Trimming—continued</b>										
1	<b>Carpet assembly—front R/H</b>	<b>AFH5754</b>	<b>RO1</b>	.1				<b>AFH6536</b>	] <b>Com. (C) 61504</b>		
2	Carpet assembly—front R/H	AFH5756			.1			AFH6537			
3	<b>Carpet assembly—front L/H</b>	<b>AFH5755</b>	<b>RO2</b>	.1							
4	Carpet assembly—front L/H	AFH5757			.1						
5	Carpet assembly—tunnel—front	AFH5762	RO3	.1	.1			AFH6535	Com. (C) 61504		
6	Carpet assembly—tunnel—intermediate	AFH5763	RO4	.1	.1						
7	<b>Carpet assembly—rear floor—R/H</b>	<b>AFH5764</b>	<b>RO5</b>	.1	.1						
8	<b>Carpet assembly—rear floor—L/H</b>	<b>AFH5765</b>	<b>RO6</b>	.1	.1						
9	Carpet tunnel—rear (Grey)—and arm-rest assembly—Red	AFH4661	RO7	.1	.1						
10	Carpet tunnel—rear (Grey)—and arm-rest assembly—Green	AFH6550		.1	.1						
11	Carpet tunnel—rear (Grey)—and arm-rest assembly—Grey	AFH6551		.1	.1						
12	Carpet tunnel—rear (Grey)—and arm-rest assembly—Black/White	AFH6552		.1	.1						
13	Carpet tunnel—rear (Grey)—and arm-rest assembly—Black/Red	AFH6553		.1	.1						
14	Carpet tunnel—rear (Grey)—and arm-rest assembly—Black/Green	AFH6554		.1	.1						
15	Carpet tunnel—rear (Grey)—and arm-rest assembly—Black/Blue	AFH6555		.1	.1						
16	Carpet—rear bulkhead	AFH4760	RO8	.1	.1						
17	Carpet—battery cover	AFH4761	RO9	.1	.1						
18	Carpet—trunk floor front—R/H	AFH4764	RO10	.1	.1						
19	Carpet—trunk floor front—L/H	AFH4765	RO11	.1	.1						
20	Carpet—rear wheelarch—R/H	AFH4766	RO12	.1	.1						
21	Carpet—rear wheelarch—L/H	AFH4767	RO13	.1	.1		Coupe				
22	Carpet—spare wheel cover—front	AFH5786	RO14	.1	.1						
23	<b>Carpet material—bulk (Grey) 40" wide</b>	<b>AFH5785</b>	<b>A/R</b>	<b>A/R</b>							
24	Felt—gearbox cover	AFH2477	RO15	.1	.1						
25	Felt—front tunnel	AFH1847	RO16	.1	.1						
26	Felt—rear tunnel	AFH2478	RO17	.1	.1						
27	Felt—tunnel top	AFH2479	RO18	.1	.1						
28	Felt—R/H front	AFH1848	RO19	.1							
29	Felt—R/H front	AFH2480			.1						
30	Felt—L/H front	AFH1849	RO20	.1							
31	Felt—R/H front	AFH2481			.1						
32	Lift-the-dot fastener—carpets	7H9962	RO21	.16	.16						
33	Clinch plate—carpets	7H9963	RO22	.16	.16						
34	Durable dot button—carpet—tunnel	7H9864	RO23	.1	.1						
35	Durable dot socket—carpet—tunnel	7H9866	RO24	.1	.1						
36	Durable dot stud—carpet—tunnel	7H9867	RO25	.1	.1						
37	Durable dot eyelet—carpet—tunnel	7H9868	RO26	.1	.1						
38	<b>Headlining (Off White)</b>	<b>AFH4657</b>	<b>RO27</b>	.1	.1						
39	Listing rod—headlining—front	AFH4485	RO28	.1	.1						
40	Listing rod—headlining—centre	AFH4486	RO29	.1	.1						
41	Listing rod—headlining—rear	AFH4487	RO30	.1	.1						
42	Screw fixing listing rod to body	AJD8172	RO31	.8	.8						



A2277



A2121

**SERVICE PARTS LIST**

**THE M.G. Series MGA 1500**

Item No.	DESCRIPTION	Commencing (C) 10101		Qty. per Vehicle		Unit of Issue	Type of Vehicle	MODIFICATIONS			REMARKS
		Part Number	Illus. No.	RHD	LHD			New Part Number	Change Point	Amdt. No.	
	<b>HOOD</b>										
1	Hood assembly	<b>AFH1740</b>	<b>RP1</b>	1	1			<b>AFH2726</b>	<b>Com. (C) 10501</b>		<b>State colour</b>
2	Hood assembly—Black			1	1			<b>AKE1760</b>	<b>Com. (C) 20162</b>		
3	Hood assembly—Ice Blue			1	1			<b>AKE1761</b>			
4	Frame assembly for hood	<b>AFH2629</b>		1	1			<b>AFH2727</b>	<b>Com. (C) 10501</b>		
5	Stick—hood	AFH1746	RP2	1	1						
6	Socket—stick	AFH2635		2	2						
7	Wing bolt fixing hood to screen	MB22438	RP3	2	2						
8	Canopy assembly—hood—Black	<b>AKE1762</b>		1	1						
9	Canopy assembly—hood—Ice Blue	<b>AKE1763</b>		1	1						
10	Lift-the-dot fastener	7H9961	RP4	6	6						
11	Lift-the-dot clinch plate	7H9963	RP5	6	6						
12	Turn-button fastener eyelet	97H497		2	2						
13	Turn-button fastener eyelet washer	97H498		2	2						
14	Attachment plate—hood—rear—to body	AFH2659		1	1						
15	Retaining plate—hood—rear	AFH1741	RP6	2	2						
16	Cup washer for hood retaining plate	MB19956	RP7	2	2						
17	Screw for retaining plate	PMZ0304	RP8	2	2						
18	Screw for retaining plate	PMZ0306	RP9	2	2						
19	Screw—peg—hood—rear fixing	17H9510	RP10	6	6						
20	Nut	AJD8012Z	RP11	6	6						
21	Washer (spring)	LWZ203	RP12	6	6						
22	Single turn-button	97H496	RP13	2	2						
23	Screw fixing turn-button	RTP404	RP14	4	4						
	<b>TONNEAU COVER (Optional Extra)</b>										
24	Tonneau cover assembly—Black	<b>AKE1756</b>	<b>RP15</b>	1				<b>AFH6572</b>	<b>Com. (C) 64332</b>		
25	Tonneau cover assembly—Ice Blue	<b>AKE1757</b>		1				<b>AFH6574</b>			
26	Tonneau cover assembly—Black	<b>AKE1758</b>			1			<b>AFH6571</b>	<b>Com. (C) 60637</b>		
27	Tonneau cover assembly—Ice Blue	<b>AKE1759</b>			1			<b>AFH6573</b>			
28	Zip fastener	AFH2687	RP16	1	1			AFH6608	Com. (C) (RHD) 64332, (LHD) 60637		
29	Lift-the-dot fastener	7H9961		20/12	20/12						
30	Lift-the-dot clinch plate	7H9963		20/12	20/12						
31	Single stud—2-screw plate base	97H499		8/6	8/6						
32	Screw fixing stud	RTP603		16/12	16/12						
33	Stud—2 B.A. hexagon base	97H717		12/6	12/6						
34	Washer (plain)	PWZ203		12/6	12/6						
35	Washer (spring)	LWZ203		12/6	12/6						
36	Nut	AJD8012Z		12/6	12/6						
37	Screw for stud	RMP0208		4	4						
38	Washer (plain)	PWZ202		4	4						
39	Washer (spring)	LWZ202		4	4				Fin. (C) (RHD) 6433, (LHD) 60636		
40	Nut	CNZ102		4	4						
41	Turn-button fastener eyelet	97H497		2	2						
42	Turn-button fastener eyelet washer	97H498		2	2						

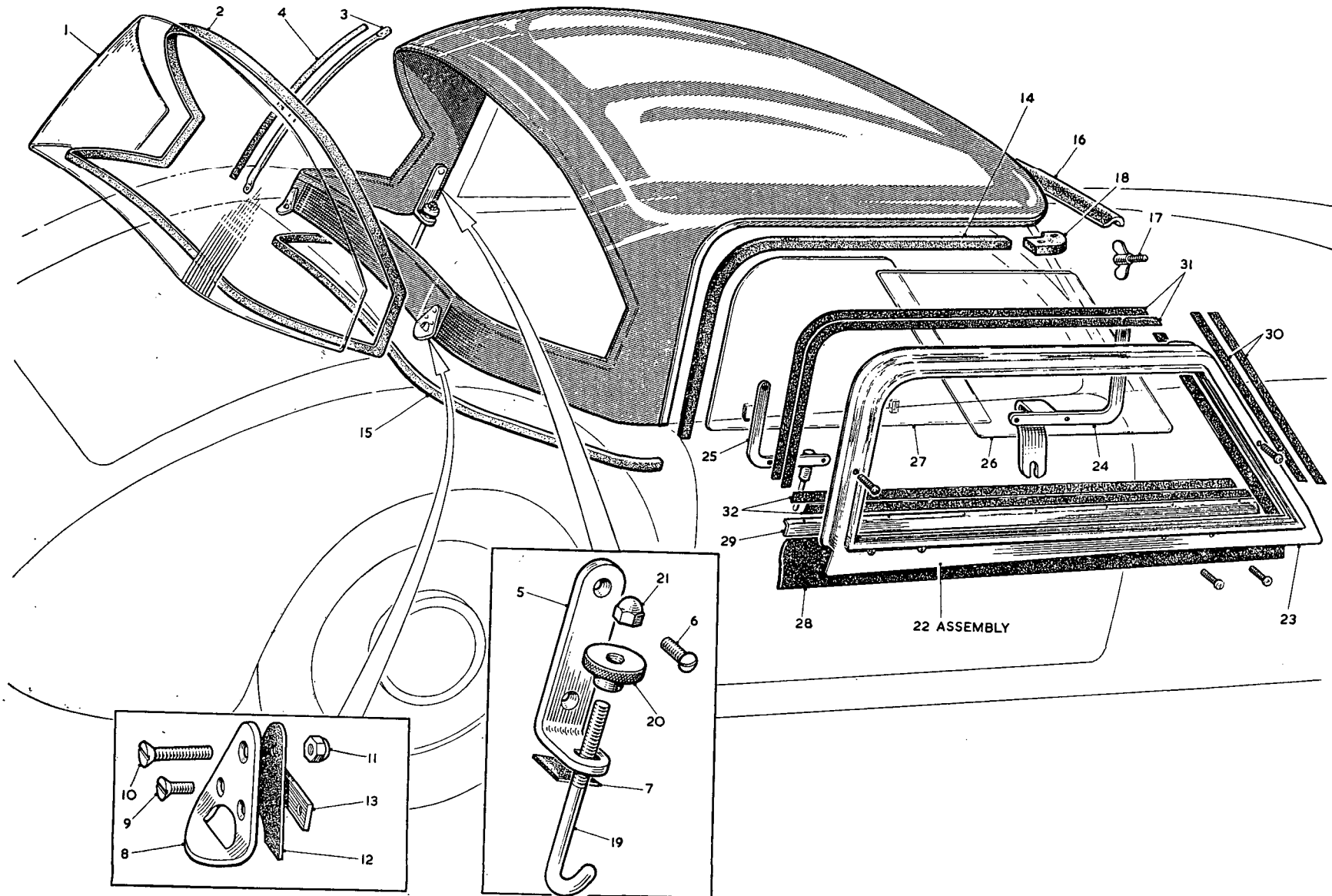
Quantities reduced at (C) (RHD) 64332, (LHD) 60637



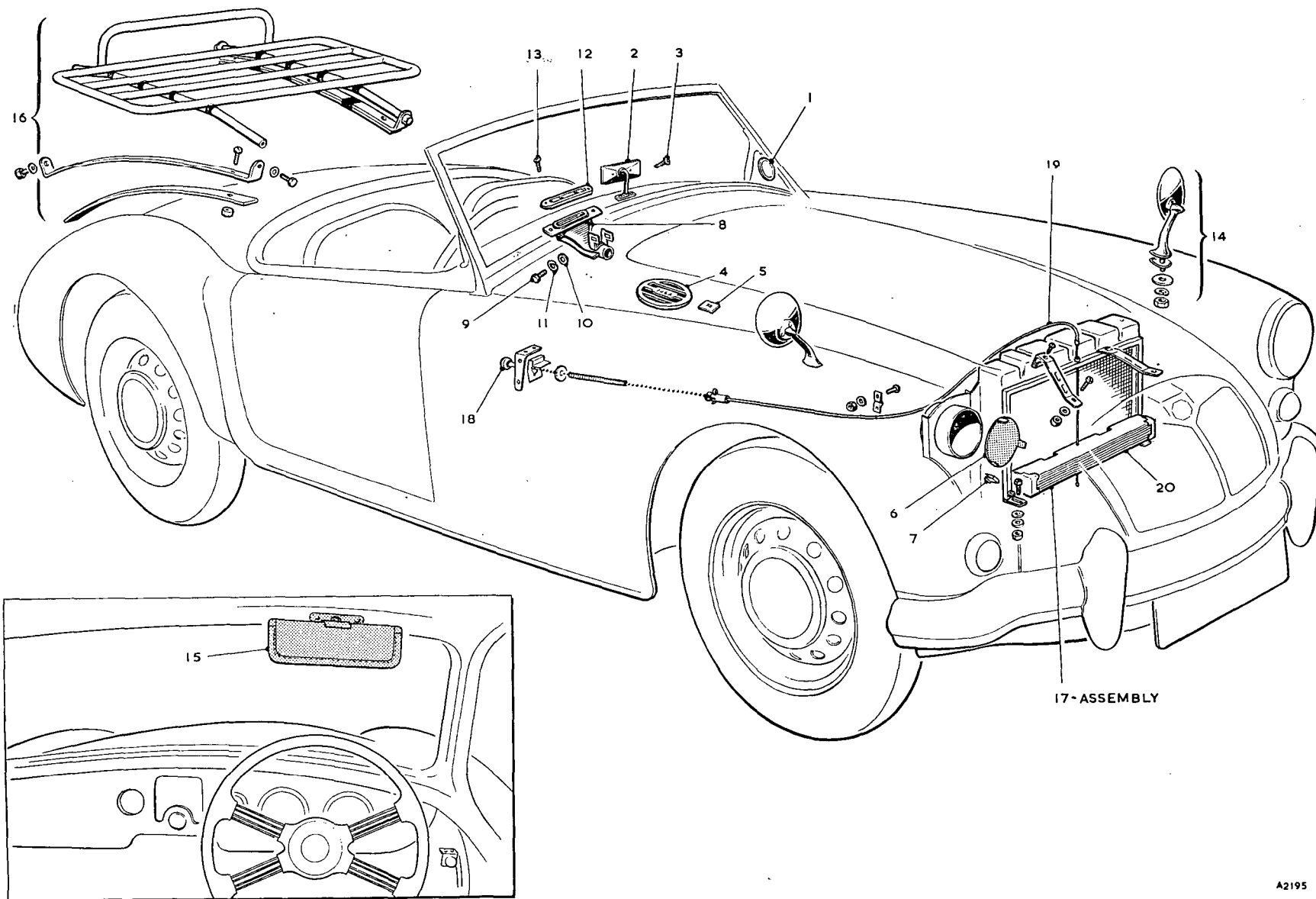
SERVICE PARTS LIST

THE M.G. Series MGA 1500

Item No.	DESCRIPTION	Commencing (C) 10101		Qty. per Vehicle		Unit of Issue	Type of Vehicle	MODIFICATIONS			REMARKS
		Part Number	Illus. No.	RHD	LHD			New Part Number	Change Point	Amdt. No.	
	<b>HARD TOP AND SLIDING SIDESCREENS</b> (Optional Extra)										
1	<b>Hard top assembly</b>	<b>AHH5562</b>		<b>1</b>	<b>1</b>						
2	Window—rear	AHH5660	RQ1	1	1						
3	Rubber—sealing—for rear window	AHH5661	RQ2	1	1						
4	Strut—inner—rear window	AHH5662	RQ3	2	2						
5	Rubber for inner strut	AHH5663	RQ4	2	2						
6	Bracket—side—main	AHH5664	RQ5	2	2						
7	Screw fixing main bracket to canopy	AJD2446C	RQ6	4	4						
8	Rubber for side bracket	AHH5665	RQ7	2	2						
9	Bracket—rear retaining	AHH5666	RQ8	2	2						
10	Screw fixing bracket to canopy	RMP0307	RQ9	4	4						
11	Screw fixing rear bracket to inner strut	AJD2448C	RQ10	2	2						
12	Cap nut for bracket to inner strut screw	AJJ3125	RQ11	2	2						
13	Grommet for retaining bracket	AHH5667	RQ12	2	2						
14	Plate—backing—retaining bracket	AHH5674	RQ13	2	2						
15	Rubber—sealing—side	AHH5668	RQ14	2	2						
16	Rubber—sealing—rear	AHH5673	RQ15	1	1						
17	Rubber—sealing—canopy	AHH5669	RQ16	1	1						
18	Screw—thumb—canopy retaining	AHH5670	RQ17	2	2						
19	Rail—canopy—rubber end—R/H	AHH5671	RQ18	1	1						
20	Rail—canopy—rubber end—L/H	AHH5672		1	1						
21	<b>Clip—side—main retaining assembly</b>	<b>AHH5650</b>	<b>RQ19</b>	<b>2</b>	<b>2</b>						
22	Knob—knurled	AHH5652	RQ20	1	1						
23	Cap nut	AHH5653	RQ21	1	1						
24	<b>Sliding sidescreen assembly—R/H</b>	<b>AHH5731</b>	<b>RQ22</b>	<b>1</b>	<b>1</b>						
25	<b>Sliding sidescreen assembly—L/H</b>	<b>AHH5732</b>		<b>1</b>	<b>1</b>						
26	Frame—R/H	AHH5733	RQ23	1	1						
27	Frame—L/H	AHH5734		1	1						
28	Fixing bracket—front—R/H	AHH5735	RQ24	1	1						
29	Fixing bracket—front—L/H	AHH5736		1	1						
30	Peg bracket—R/H	AHH5737	RQ25	1	1						
31	Peg bracket—L/H	AHH5738		1	1						
32	<b>Screen—fixed</b>	<b>AHH5739</b>	<b>RQ26</b>	<b>2</b>	<b>2</b>						
33	<b>Screw—sliding—R/H</b>	<b>AHH5740</b>	<b>RQ27</b>	<b>1</b>	<b>1</b>						
34	<b>Screw—sliding—L/H</b>	<b>AHH5741</b>		<b>1</b>	<b>1</b>						
35	Sealing rubber—R/H	AHH5808	RQ28	1	1						
36	Sealing rubber—L/H	AHH5742		1	1						
37	Retainer for sealing rubber—R/H	AHH5743	RQ29	1	1						
38	Retainer for sealing rubber—L/H	AHH5744		1	1						
39	Glazing felt—front	AHH5745	RQ30	2	2						
40	Glazing felt—upper	AHH5746	RQ31	2	2						
41	Glazing felt—lower	AHH5747	RQ32	2	2						



A2278



**SERVICE PARTS LIST**

**THE M.G. Series MGA 1500**

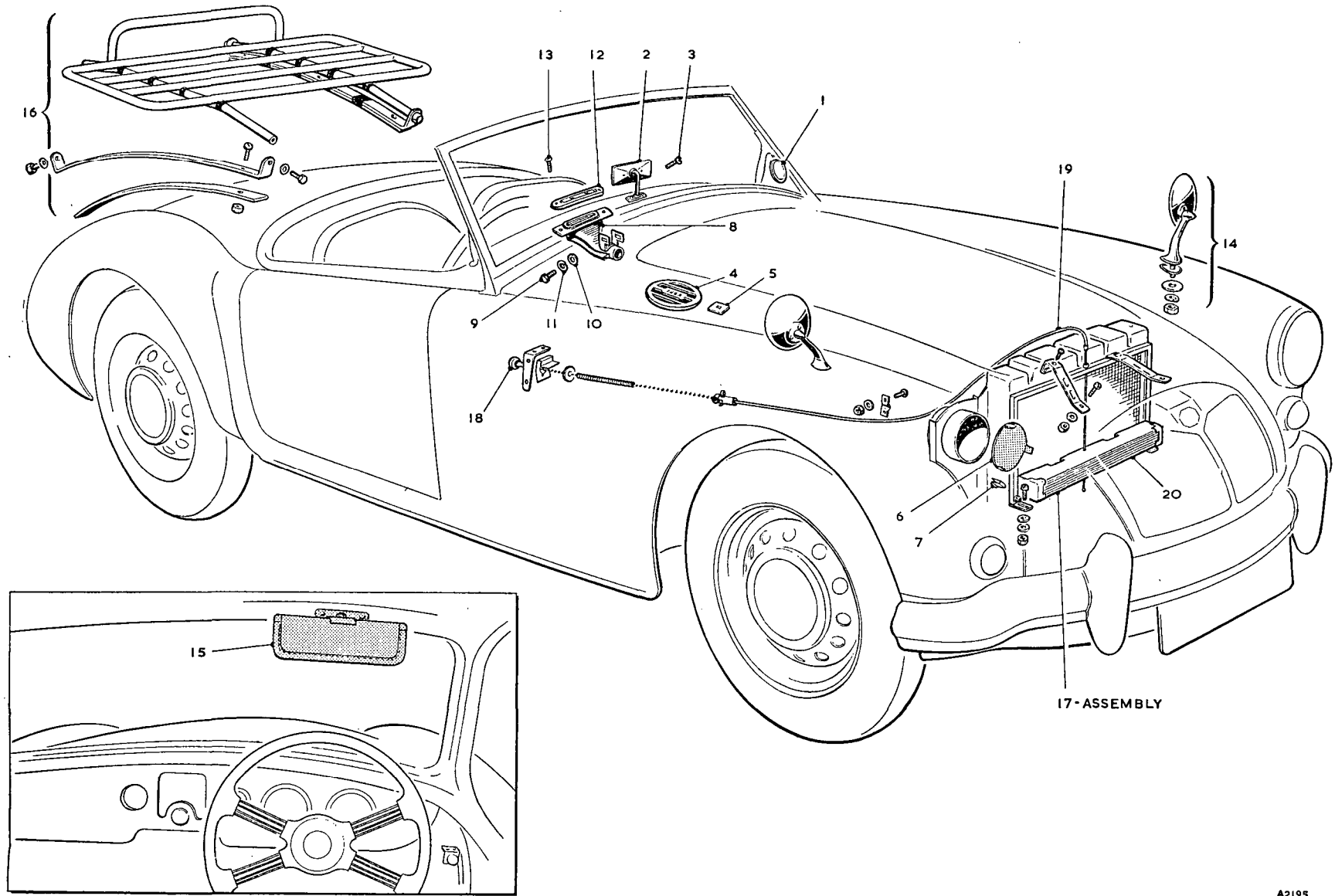
Item No.	DESCRIPTION	Commencing (C) 10101		Qty. per Vehicle		Unit of Issue	Type of Vehicle	MODIFICATIONS			REMARKS
		Part Number	Illus. No.	RHD	LHD			New Part Number	Change Point	Amdt. No.	
	<b>SUNDRIES</b>										
1	Licence holder	180260	RR1	1	1		<b>Tourer</b>				
2	Licence holder	14A3823		1	1		<b>Coupé</b>				
3	Mirror—rear view	AHH5198	RR2	1	1						
4	Screw fixing mirror to body	RMP0310	RR3	2	2						
5	Ventilator grille for air duct (MGA)	AHH5294	RR4	2	2						
6	Spire clip fixing grille	PFS104	RR5	8	8						
7	Blanking disc for air tube radiator support	AHH5396	RR6	1	1						
8	Clip fixing blanking disc	ADH3809	RR7	3	3						
9	Grommet (1/8" dia.) for master cylinder/bulkhead holes	RFR208		8	8						
10	Grommet (1/8" dia.) for cars less radio	RFR204		5	5			RFN204	Com. (C) 31449		
11	Grommet for dip switch hole blanking	4G2541		1	1						
12	Grommet for control box blanking holes	2H8041		2	2						
13	Grommet for dipper switch blanking holes	2H8041		3	3						
14	Nozzle—R/H demister (with seal)	AFH1748	RR8	1	1						
15	Nozzle—L/H demister (with seal)	AFH1749		1	1						
16	Screw fixing demister nozzle	AFH2587	RR9	4	4						
17	Washer (plain)	PWZ203	RR10	4	4						
18	Washer (spring)	LWZ203	RR11	4	4						
19	Finisher for demister slot	182143	RR12	2	2						
20	Screw fixing demister slot finisher	RTP804	RR13	4	4						
21	Ashtray (chrome and black enamel)	AHH5539		1	1						
22	Screw fixing ashtray	PTP604		4	4						
23	Badge bar assembly	AHH5565		1	1						
24	Cigar-lighter c/w leads	AHH5759		1	1						

Optional extras

**SERVICE PARTS LIST**

**THE M.G. Series MGA 1500**

Item No.	DESCRIPTION	Commencing (C) 10101		Qty. per Vehicle		Unit of Issue	Type of Vehicle	MODIFICATIONS			REMARKS
		Part Number	Illus. No.	RHD	LHD			New Part Number	Change Point	Amdt. No.	
	<b>Sundries—continued</b>										
1	Mirror assembly c/w rubber washer and screws—R/H wing	AHH5526		1	1						] Alternatives ]
2	Mirror assembly c/w rubber washer and screws—L/H wing	AHH5527	RR14	1	1						
3	Mirror assembly—R/H or L/H wing	BHA4066		2	2						
4	Sun visor—trimmed	AHH5710	RR15	2	2		] Coupé				
5	Screw fixing sun visor	RTP806		4	4						
6	Luggage carrier c/w fittings	AHH5495	RR16	1	1						
7	Screw fixing luggage grid to boot lid	PMP0514		6	6						
8	Nut (nylon) for screw	LNZ205		6	6						
9	Washer (plain) for screw	PWZ105		6	6						
10	Radiator blind assembly	AHH5536	RR17	1	1						
11	Ball chain with knob	7H9833	RR18	1	1						
12	Cable fixing blind to chain	7H9832	RR19	1	1						
13	Roller and blind	7H9834	RR20	1	1						
											Optional extras ~



A2195