

A2194

**SERVICE PARTS LIST**

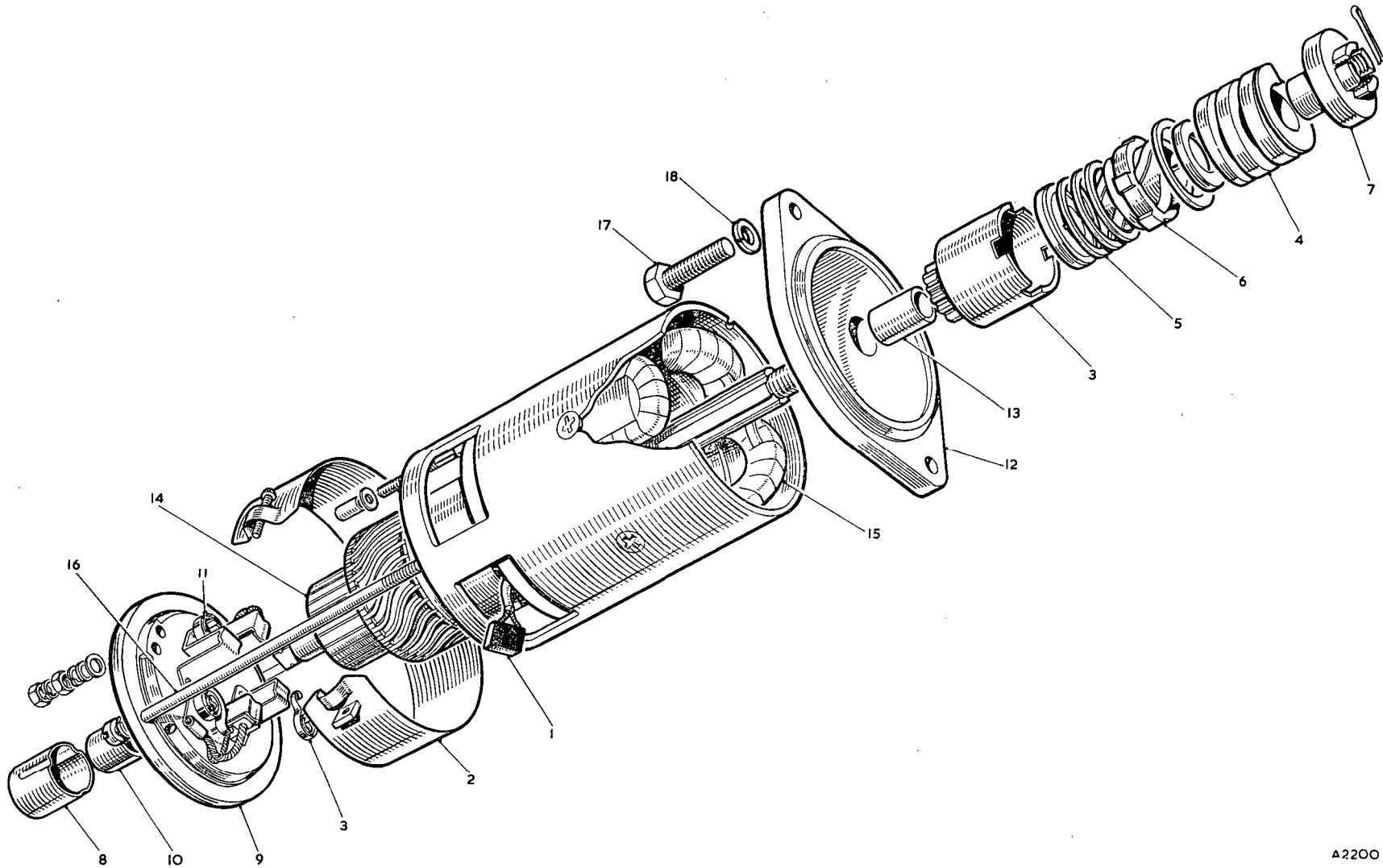
**THE M.G. Series MGA 1500**

Item No.	DESCRIPTION	Commencing (C) 10101		Qty. per Vehicle		Unit of Issue	Type of Vehicle	MODIFICATIONS			REMARKS
		Part Number	Illus. No.	RHD	LHD			New Part Number	Change Point	Amdt. No.	
<b>ELECTRICAL EQUIPMENT</b>											
<b>BATTERY</b>											
1	<b>Battery—wet</b> .....	<b>N.S.P.</b>	<b>N1</b>	<b>2</b>	<b>2</b>						
2	Terminal screw .....	2K8645	N2	2	2						
3	Clamp for battery .....	AHH5166	N3	2	2						
4	Packing for battery clamp .....	AHH5169	N4	2	2						
5	Bolt for battery fixing (long) .....	AHH5167	N5	2	2						
6	Bolt for battery fixing (short) .....	AHH5168	N6	2	2						
7	Locknuts for battery fixing bolts .....	FNZ204	N7	8	8						
8	Battery pad (rubber) .....	AHH5170	N8	4	4						
9	Battery cover .....	BHA4140		2	2						
10	Cap nut—cover .....	BHA4147		4	4						
11	Bolt—battery (long) .....	AHH5964		2	2						Optional extra
12	Bolt—battery (short) .....	AHH5963		2	2						
13	Nut for bolt .....	AJD8104Z		4	4						
<b>DYNAMO</b>											
14	<b>Dynamo</b> .....	<b>11G220</b>		<b>1</b>	<b>1</b>						
15	Key for pulley .....	WKN404	N9	1	1						
16	Nut for pulley .....	FNZ207	N10	1	1	12					
17	Washer for nut (spring) .....	LWZ207	N11	1	1						
18	Band cover .....	7H5027	N12	1	1						
19	Brush .....	7H5028	N13	1 set	1 set	1					
20	<b>Bracket—commutator end</b> .....	<b>7H5387</b>	<b>N14</b>	<b>1</b>	<b>1</b>						
21	Bush for bracket .....	7H5390	N15	1	1						
22	Oiler .....	17H5530	N16	1	1						
23	Spring—brush tension .....	7H5031	N17	1 set	1 set	1					
24	<b>Bracket—driving end</b> .....	<b>7H5388</b>	<b>N18</b>	<b>1</b>	<b>1</b>						
25	Bush for bracket—driving end .....	97H626	N19	1	1						
26	Armature .....	7H5389	N20	1	1						
27	Field coils .....	7H5071	N21	1 set	1 set	1					
28	Bolt—end cover .....	17H5217	N22	2	2						
29	Sundry parts .....	7H5376		1 set	1 set	1					

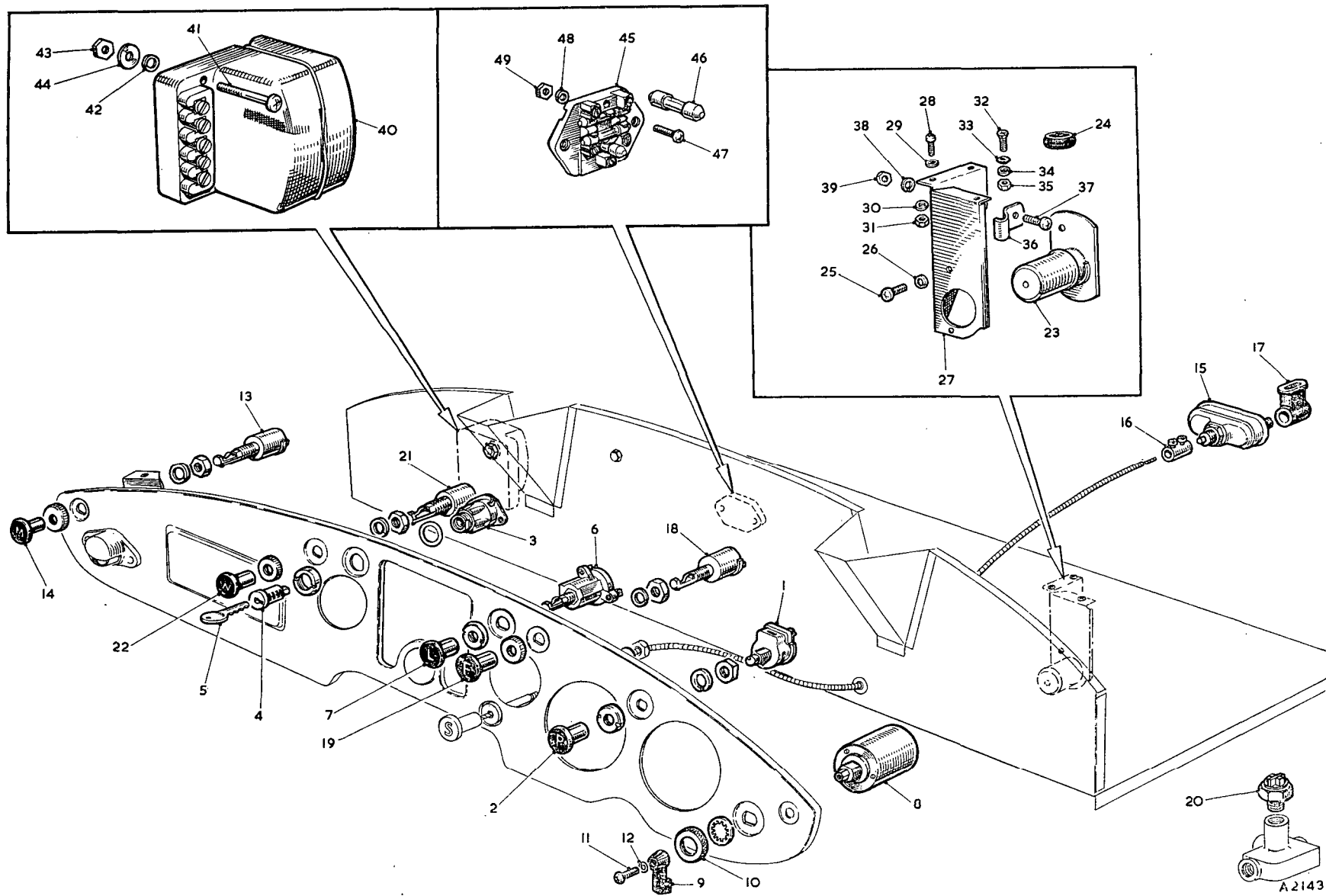
**SERVICE PARTS LIST**

**THE M.G. Series MGA 1500**

Item No.	DESCRIPTION	Commencing (C) 10101		Qty. per Vehicle		Unit of Issue	Type of Vehicle	MODIFICATIONS			REMARKS
		Part Number	Illus. No.	RHD	LHD			New Part Number	Change Point	Amdt. No.	
	<b>STARTER</b>										
1	<b>Starter</b> .....	<b>3H952</b>		<b>1</b>	<b>1</b>						
2	Brush .....	7H5040	NA1	1 set	1 set	1					
3	Band—cover .....	7H5088	NA2	1	1						
4	Pinion and barrel .....	7H5046	NA3	1	1						
5	Spring—pinion main .....	7H5045	NA4	1	1						
6	Spring—pinion return .....	7H5047	NA5	1	1						
7	Sleeve—screwed (with control nut) .....	7H5529	NA6	1	1						
8	Nut for shaft .....	7H5044	NA7	1	1						
9	Cap for shaft .....	7H5039	NA8	1	1						
10	<b>Bracket—commutator end</b>	<b>7H5041</b>	<b>NA9</b>	<b>1</b>	<b>1</b>						
11	Bush—commutator end .....	7H5042	NA10	1	1						
12	Spring—brush tension .....	7H5043	NA11	1 set	1 set	1					
13	<b>Bracket—driving end</b>	<b>7H5048</b>	<b>NA12</b>	<b>1</b>	<b>1</b>						
14	Bush—driving end .....	7H5049	NA13	1	1						
15	Armature .....	7H5050	NA14	1	1						
16	Field coils .....	7H5051	NA15	1 set	1 set	1					
17	Bolt for end covers .....	17H5444	NA16	2	2						
18	Sundry parts .....	7H5156		1 set	1 set	1					
19	Screw for starter to mounting plate .....	HBZ0613	NA17	2	2			53K149	Com. (C) 117331		
20	Washer for screw (spring) .....	LWN206	NA18	2	2						



42200



**SERVICE PARTS LIST**

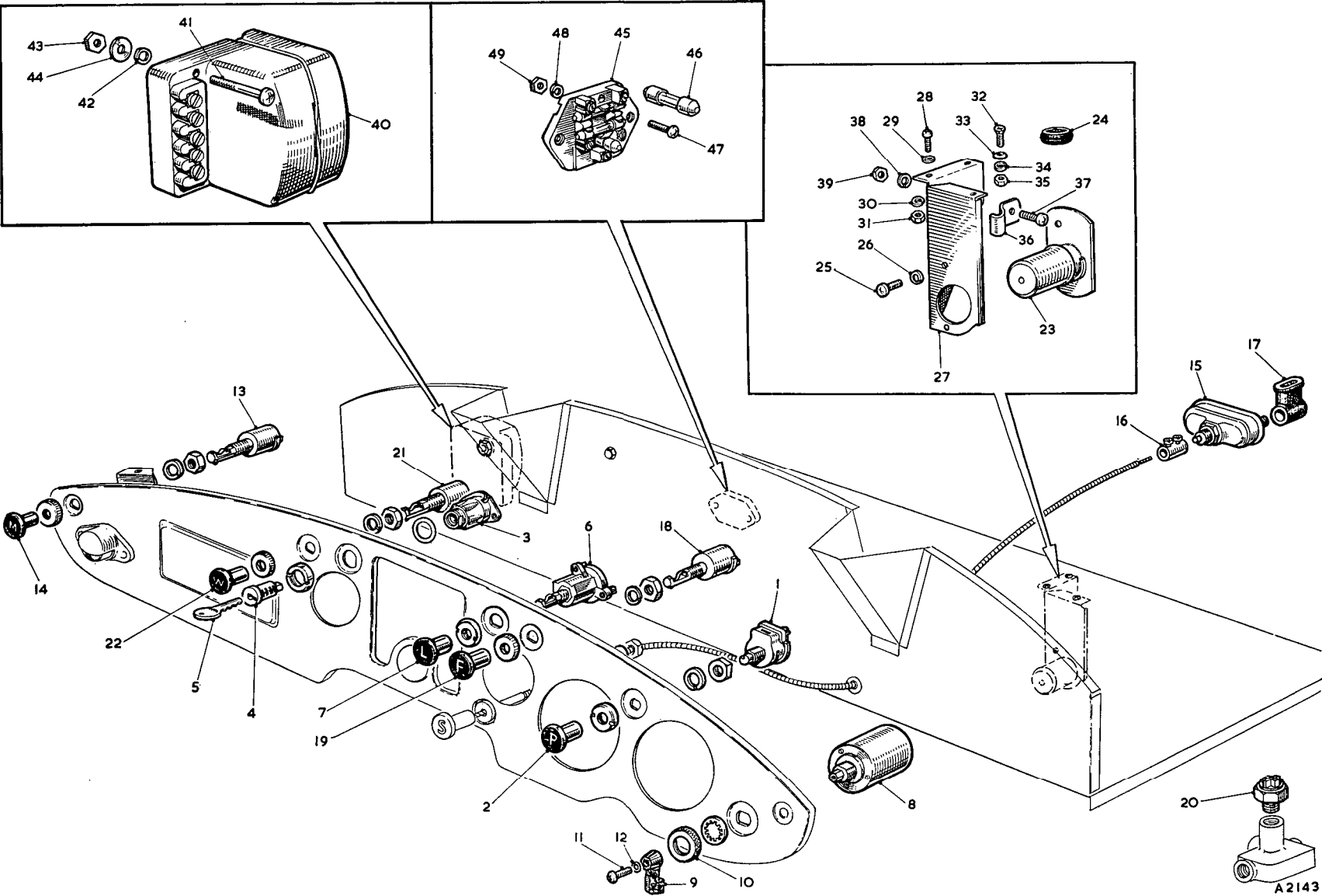
**THE M.G. Series MGA 1500**

Item No.	DESCRIPTION	Commencing (C) 10101		Qty. per Vehicle		Unit of Issue	Type of Vehicle	MODIFICATIONS			REMARKS
		Part Number	Illus. No.	RHD	LHD			New Part Number	Change Point	Amdt. No.	
	<b>SWITCHES</b>										
1	Switch—panel light	47H5188	NB1	1	1						
2	Knob for switch	AHH5368	NB2	1	1						
3	Switch—ignition	AHH5369	NB3	1	1						
4	Lock and key—ignition switch	7H9830	NB4	1	1						
5	Key	ANK4646	NB5	2	2						
6	Switch—headlamp and sidelamp	3H3098	NB6	1	1						
7	Knob for switch	AHH5360	NB7	1	1						
8	Switch—flasher	AMK5607	NB8	1	1						
9	Lever for switch	27H5511	NB9	1	1						
10	Nut fixing flasher switch (knurled)	17H5485	NB10	1	1						
11	Screw fixing lever	17H5483	NB11	1	1						
12	Washer for screw (spring)	17H5484	NB12	1	1						
13	Switch—map-reading lamp	27H5278	NB13	1	1						
14	Knob for switch	AHH5362	NB14	1	1						
15	Switch—starter	3H949	NB15	1	1						
16	Coupling—switch to control	3H950	NB16	1	1						
17	Bootee for terminal	8G548	NB17	2	2						
18	Switch—fog lamp	27H5278	NB18	1	1						
19	Knob for switch	AHH5366	NB19	1	1						
20	Switch—stop lamp	3H1894	NB20	1	1						
21	Switch—windscreen wiper	27H5278	NB21	1	1						
22	Knob for switch	AHH5364	NB22	1	1						
23	Switch—dipper	11G2007	NB23	1	1						
24	Grommet for bulkhead—dipper switch cable	ACB8474	NB24	1	1						
25	Screw fixing dipper switch to bracket	AJD1243Z	NB25	2	2						
26	Washer for screw (spring)	LWZ203	NB26	2	2						
27	Bracket for dipper switch	AHH5347	NB27	1	1						
28	Screw—bracket to bulkhead	PMZ0308	NB28	1	1						
29	Washer for screw (plain)	AJD7202	NB29	1	1						
30	Washer for screw (spring)	LWZ203	NB30	1	1						
31	Nut for screw	FNZ103	NB31	1	1						
32	Screw—bracket to bulkhead	CMZ0308	NB32	2	2						
33	Washer for screw (cup)	7722	NB33	2	2						
34	Washer for screw (spring)	LWZ203	NB34	2	2						
35	Nut for screw	FNZ103	NB35	2	2						
36	Clip—dipper switch cable to bracket	CHR0507	NB36	1	1						
37	Screw for clip to bracket	PMZ0307	NB37	1	1						
38	Washer for screw (spring)	LWZ203	NB38	1	1						
39	Nut for screw	FNZ103	NB39	1	1						

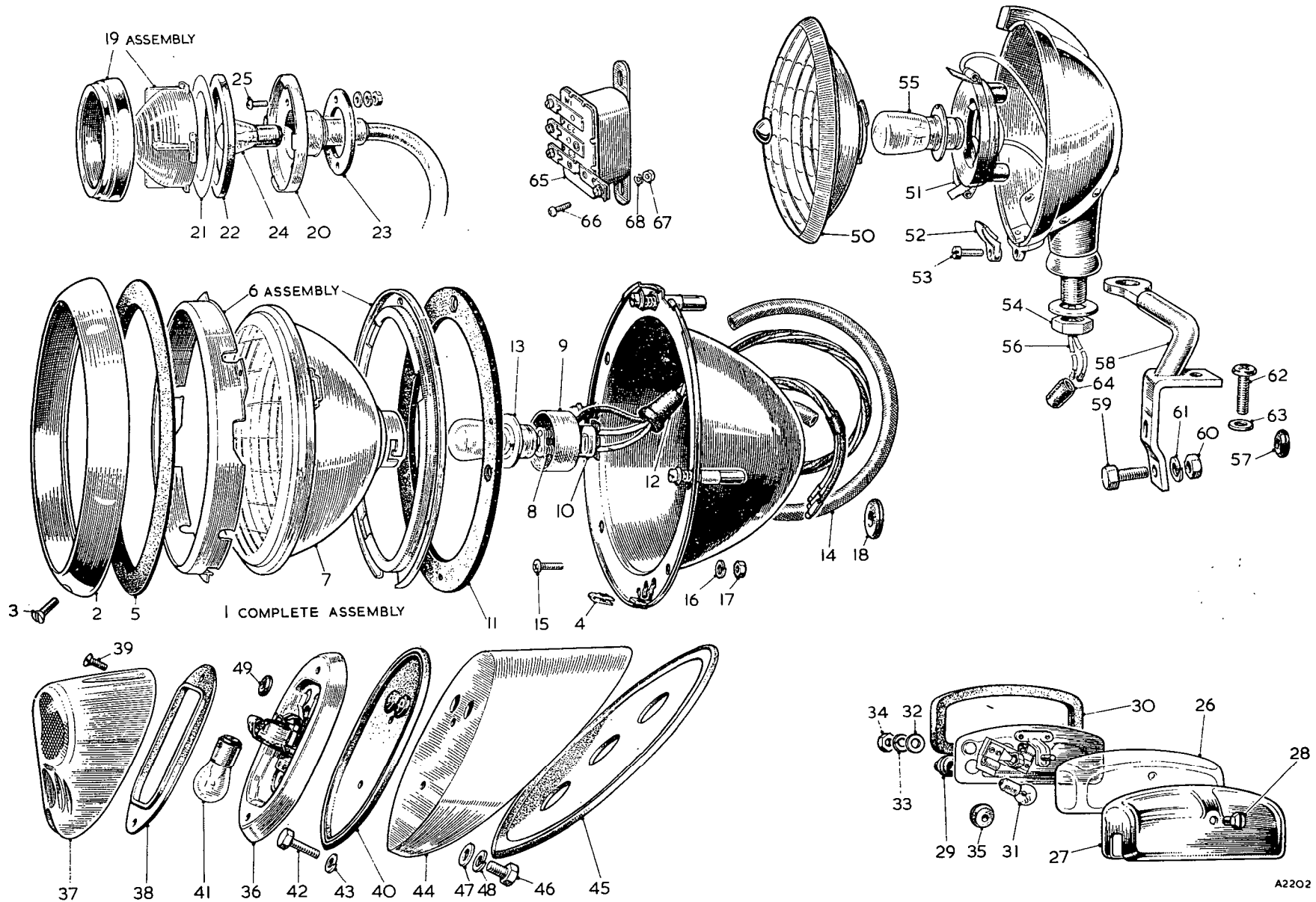
**SERVICE PARTS LIST**

**THE M.G. Series MGA 1500**

Item No.	DESCRIPTION	Commencing (C) 10101		Qty. per Vehicle		Unit of Issue	Type of Vehicle	MODIFICATIONS			REMARKS
		Part Number	Illus. No.	RHD	LHD			New Part Number	Change Point	Amdt. No.	
	<b>Switches—continued</b>										
1	<b>Box—control</b>	<b>3H1835</b>	<b>NB40</b>	<b>1</b>	<b>1</b>						
2	Screw for control box to dash.....	PMZ0320	NB41	2	2						
3	Washer for screw (spring).....	LWZ203	NB42	2	2						
4	Nut for screw—control box to dash.....	FNZ103	NB43	2	2						
5	Washer—special.....	AJD7212	NB44	2	2						
6	<b>Box—fuse</b>	<b>1G2613</b>	<b>NB45</b>	<b>1</b>	<b>1</b>						
7	Fuse—35-amp. ....	7H5067	NB46	4	4						
8	Screw for fusebox to dash.....	PMZ0310	NB47	2	2						
9	Washer for screw (spring).....	LWZ203	NB48	2	2						
10	Nut for screw—fusebox to dash.....	FNZ103	NB49	2	2						
11	Switch—headlamp flasher.....	(N. AMERICA) BHA4116			1						} Optional extras
12	Relay—headlamp flasher.....	(N. AMERICA) 3H1911			1						
13	Screw fixing relay.....	PMZ0308			2						
14	Nut for screw.....	FNZ103			2						
15	Washer for nut (spring).....	LWZ203			2						







**SERVICE PARTS LIST**

**THE M.G. Series MGA 1500**

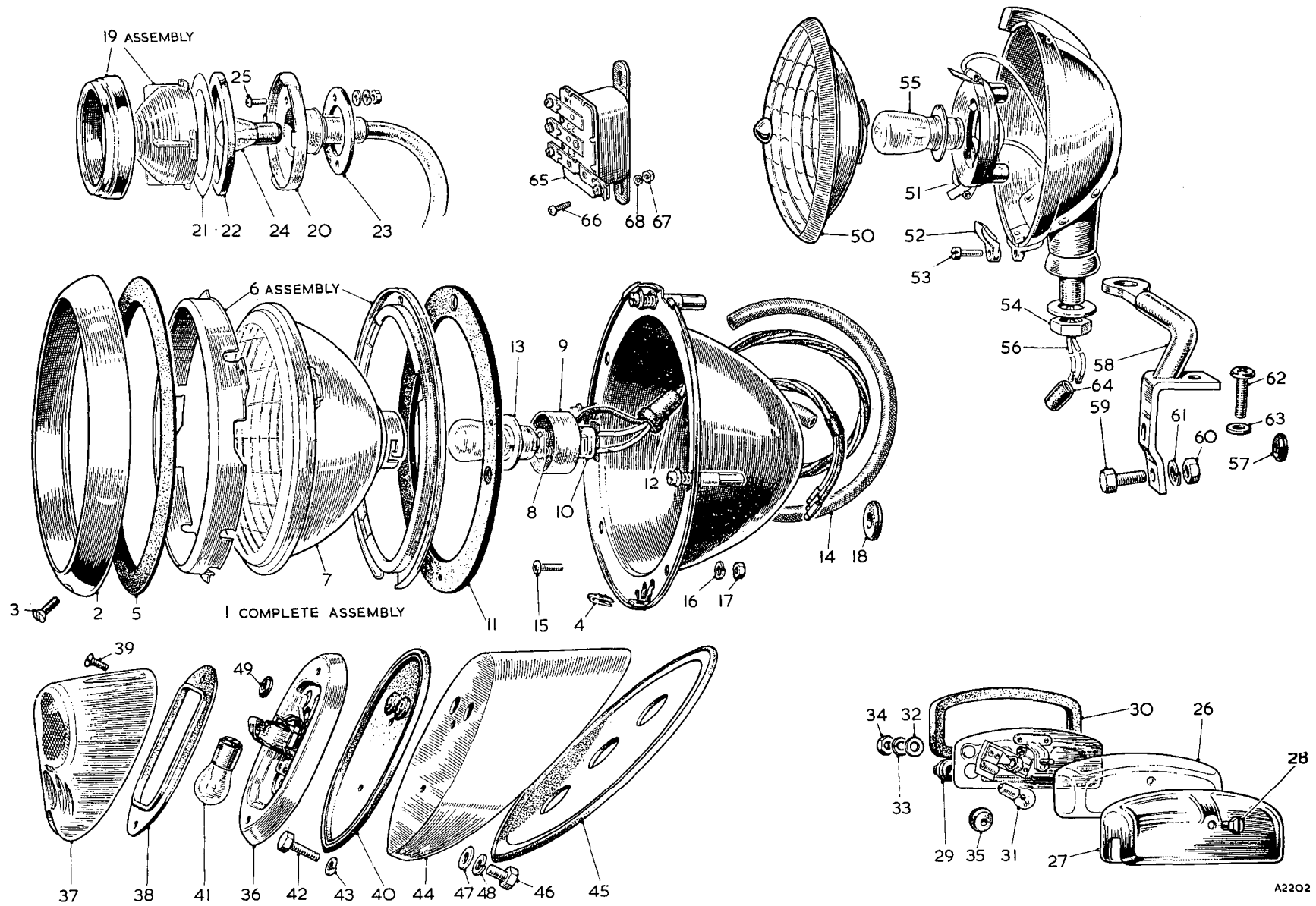
Item No.	DESCRIPTION	Commencing (C) 10101		Qty. per Vehicle		Unit of Issue	Type of Vehicle	MODIFICATIONS			REMARKS
		Part Number	Illus. No.	RHD	LHD			New Part Number	Change Point	Amdt. No.	
	<b>LAMPS (ROAD)</b>										
1	Headlamp—left dip	47H5365	NC1	2							Except Europe Except Europe and France Europe except France
2	Headlamp—right dip (Not U.K.)	17H5543			2						
3	Headlamp—vertical dip (Not U.K.)	3H2520		2	2			BCA4302	Com. (C) 58918		
4	Headlamp (less bulb) (FRANCE)	17H5330			2				Fin. (C) 60339		
5	Headlamp (FRANCE)				2			BCA4303	Com. (C) 60340		
6	Rim assembly	17H5147	NC2	2	2						
7	Screw—rim fixing	17H5144	NC3	2	2			AJA5081	] Com. (C) 58918		
8	Nut for screw		NC4	2	2			27H5354			
9	Excluder—dust	3H2962	NC5	2	2						
10	Rim and base assembly (inner)	17H5205	NC6	2	2						
11	Light unit—left dip	7H5483	NC7	2							
12	Light unit—right dip	17H5375			2						
13	Light unit—vertical dip	7H5485		2	2			47H5124	] Com. (C) 58918		
14	Spring—bulb retaining		NC8	2	2			47H5125			
15	Light unit (FRANCE)	7H5486			2			47H5124	] Com. (C) 60340		
16	Spring—bulb retaining				2			47H5125			
17	Back-shell assembly (FRANCE)	17H5146			2						
18	Bulb holder (FRANCE)	7H5062			2				] Fin. (C) 60339		
19	Sleeve—terminal (FRANCE)	7H5582			6						
20	Bulb holder	17H5306	NC9	2	2						
21	Sleeve—terminal	7H5582	NC10	6	6						
22	Adaptor (complete with cables) (N. AMERICA)	17H5244			2						
23	Adaptor—conversion (N. AMERICA)	17H5546			2						
24	Adaptor with cable				2			47H5126	] Com. (C) 58918		
25	Sleeve—terminal				6			7H5582			
26	Gasket—rubber	3H1081	NC11	2	2						
27	Sleeve—sealing	27H5258	NC12	6	6						
28	Bulb—left dip	13H140	NC13	2							
29	Bulb—right dip	3H1893			2						
30	Bulb—vertical dip	3H921		2	2			13H138	] Com. (C) 58918 Com. (C) 60340		
31	Bulb—yellow				2			13H139			
32	P.V.C. tubing for headlamp leads	ACH5701	NC14	2	2						
33	Screw for headlamp to wing	PMZ0310	NC15	8	8						
34	Washer for screw (spring)	LWZ203	NC16	8	8						
35	Nut for screw—headlamp to wing	FNZ103	NC17	8	8						
36	Grommet for headlamp cables through front panel and radiator support		NC18	3	3						
37	Sidelamp (flasher)	RFR110		2	2						
38	Rim and glass	ACG5292		2	2						
39	Body	17H5428	NC19	2	2						
40	Washer (plastic)—sliding ring	AJH5151	NC20	2	2						
41	Washer (rubber)—seating	17H5305	NC21	2	2						
42	Washer for lamp to wing	17H5308	NC22	2	2						
43	Bulb	17H5309	NC23	2	2						
44	Screw for lamp to wing	1F9026	NC24	2	2						
		PMZ0206	NC25	6	6						

**SERVICE PARTS LIST**

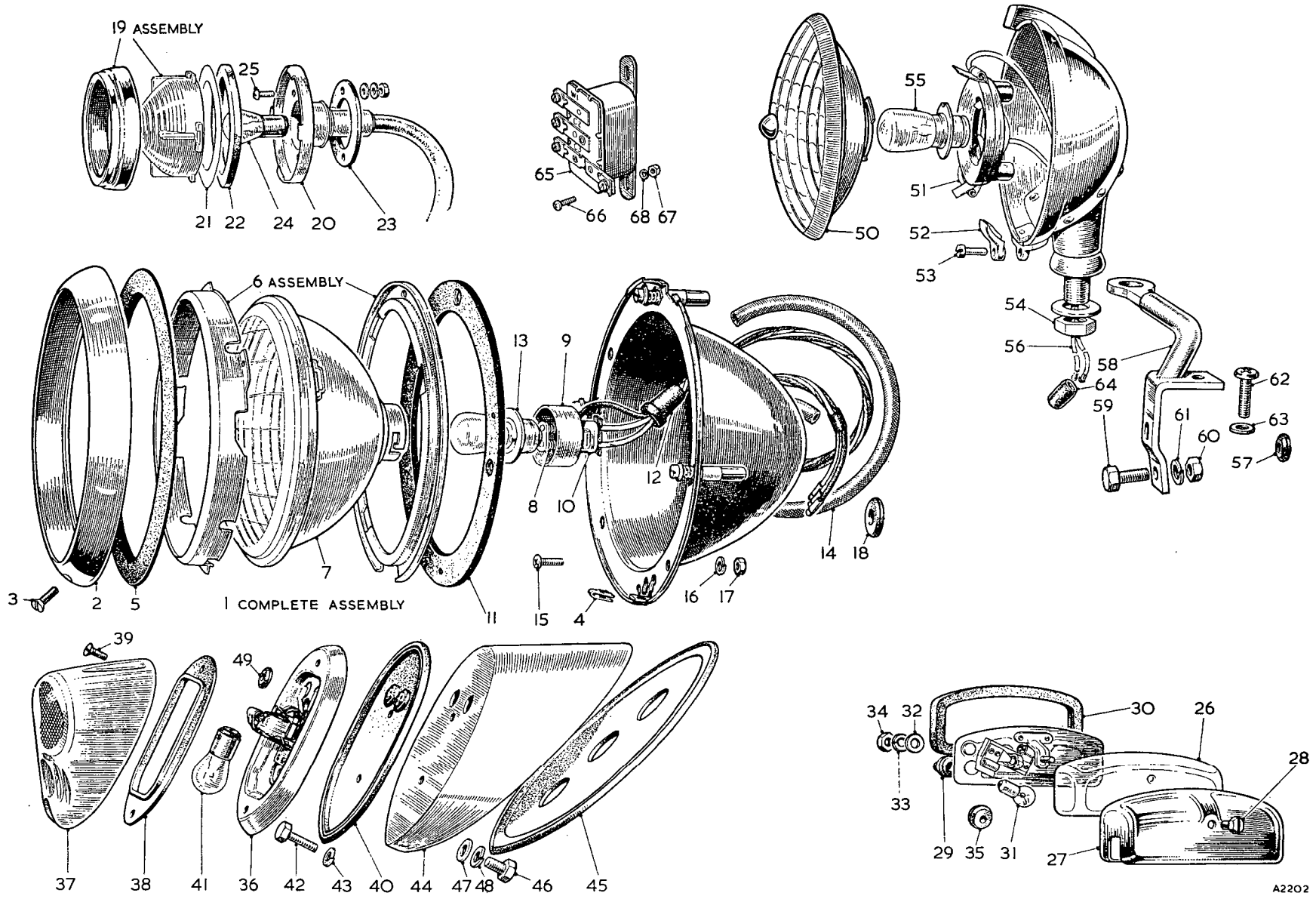
**THE M.G. Series MGA 1500**

Item No.	DESCRIPTION	Commencing (C) 10101		Qty. per Vehicle		Unit of Issue	Type of Vehicle	MODIFICATIONS			REMARKS
		Part Number	Illus. No.	RHD	LHD			New Part Number	Change Point	Amdt. No.	
	<b>Lamps (Road)—continued</b>										
1	<b>Number-plate lamp</b>	<b>3H1813</b>		1	1						
2	Window	7H5121	NC26	1	1						
3	Cover	7H5185	NC27	1	1						
4	Sundry parts	7H5123	NC28	1 set	1 set	1					
5	Grommet	7H5164	NC29	1	1						
6	Joint	7H5122	NC30	1	1						
7	<b>Bulb</b>	<b>2H4817</b>	<b>NC31</b>	1	1						
8	Washer—plain	PWZ103	NC32	2	2						
9	Washer—spring	LWZ203	NC33	2	2						
10	Nut	AJD8012Z	NC34	2	2						
11	Grommet for number-plate lamp cable	RFR104	NC35	1	1						
12	<b>Tail lamp (flasher)</b>	<b>13H23</b>		2	2						
13	Rim	AJA5072	NC36	2	2						
14	Glass	AJA5069	NC37	2	2						
15	Seating rubber	AJA5071	NC38	2	2						
16	Screw	AJA5070	NC39	4	4						
17	Seating rubber for lamp	AJA5073	NC40	2	2						
18	<b>Bulb</b>	<b>1F9026</b>	<b>NC41</b>	2	2						
19	Screw for tail lamp to plinth	PMZ0308	NC42	4	4						
20	Washer for screw (spring)	LWZ203	NC43	4	4						
21	Plinth for tail lamp—R/H (primed)	AHH5392	NC44	1	1						
22	Plinth for tail lamp—L/H (primed)	AHH5393		1	1						
23	Seal for tail lamp plinth	AHH5505	NC45	2	2						
24	Seal for tail lamp plinth	AHH5505	NC45	2	2						
25	Screw for plinth to rear wing	HZS0405	NC46	4	4						
26	Washer for screw (plain)	PWZ204	NC47	4	4						
27	Washer for screw (spring)	LWZ204	NC48	4	4						
28	Grommet for tail lamp cables	RFR104	NC49	2	2						
29	<b>Fog lamp</b>	<b>ADH785</b>		2	2						
30	Light unit	ACG5179	NC50	2	2						
31	Adaptor assembly	ACG5180	NC51	2	2						
32	Catch—rim	AJH5057	NC52	2	2						
33	Screw—catch	17H5400	NC53	2	2						
34	Nut—lamp spigot	17H5401	NC54	2	2						
35	<b>Bulb</b>	<b>1F9034</b>	<b>NC55</b>	2	2						
36	Lead—fog lamp (3' 9")	AHH5454	NC56	2	2						
37	Lead—fog lamp (1' 3")	AHH5541		2	2						
38	Grommet—fog lamp lead	RFR103	NC57	4	4						

Optional extras



A2202



A2202

**SERVICE PARTS LIST**

**THE M.G. Series MGA 1500**

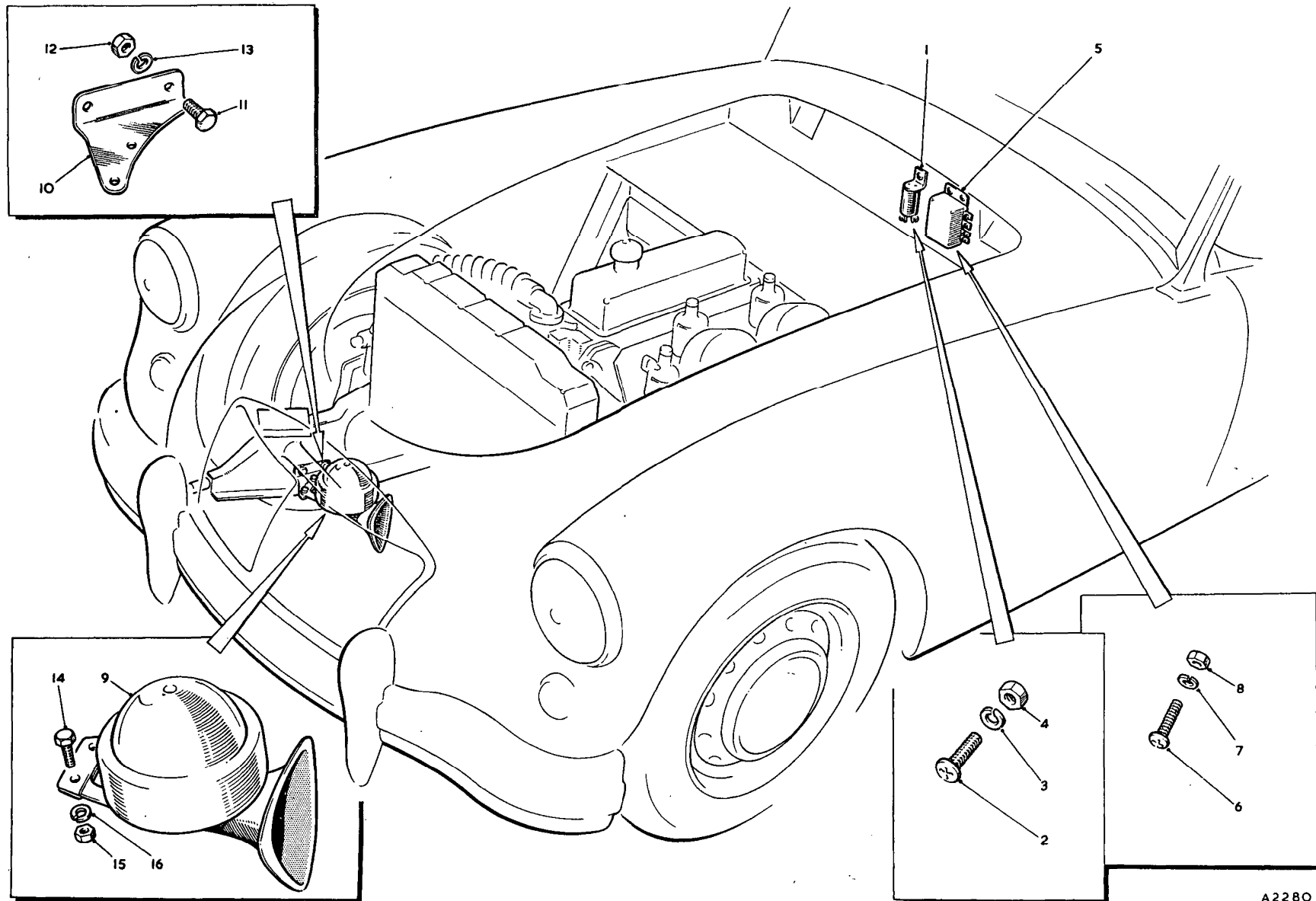
Item No.	DESCRIPTION	Commencing (C) 10101		Qty. per Vehicle		Unit of Issue	Type of Vehicle	MODIFICATIONS			REMARKS
		Part Number	Illus. No.	RHD	LHD			New Part Number	Change Point	Amdt. No.	
	<b>Lamps (Road)—continued</b>										
1	Bracket—R/H fog lamp	AHH5521	NC58	1	1						Optional extras
2	Bracket—L/H fog lamp	AHH5520		1	1						
3	Screw—bracket to bumper blade (lower)	HZS0506	NC59	2	2						
4	Nut for screw	FNZ105	NC60	2	2						
5	Washer for nut (spring)	LWZ205	NC61	2	2	24					
6	Screw—bracket to bumper blade (top)	PMP0518	NC62	2	2						
7	Washer for screw (plain)	PWP105	NC63	2	2						
8	Connector	2H2617	NC64	3	3						
9	Relay—fog lamp	(N. AMERICA)	NC65		1			BHA4075			
10	Harness—fog lamp relay	(N. AMERICA)			1			AHH5758			
11	Screw—relay to bulkhead		NC66		2			PMZ0308	Com. (C) 55633		
12	Nut for screw		NC67		2			FNZ103			
13	Washer for nut (spring)		NC68		2			LWZ203			

**SERVICE PARTS LIST**

**THE M.G. Series MGA 1500**

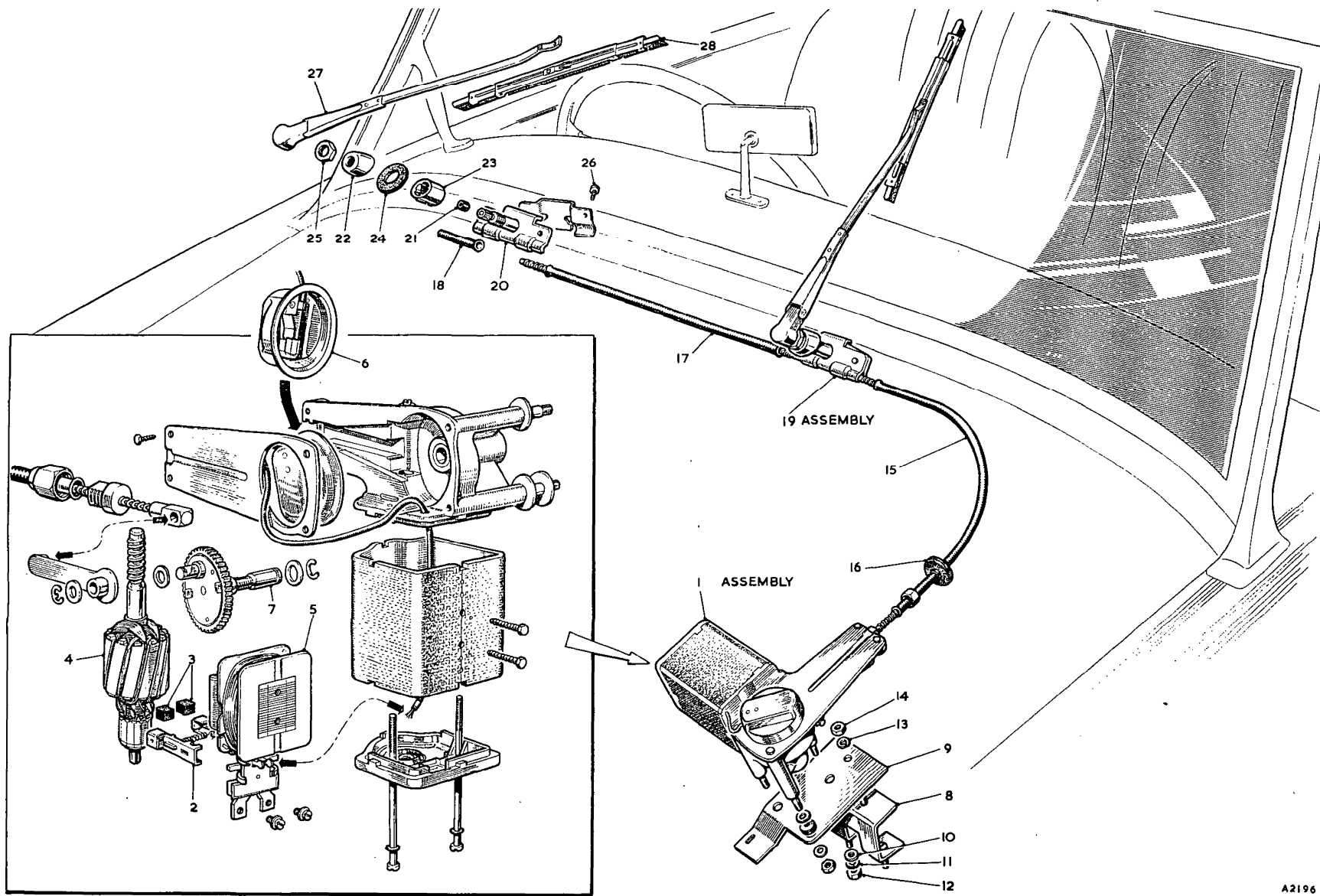
Item No.	DESCRIPTION	Commencing (C) 10101		Qty. per Vehicle		Unit of Issue	Type of Vehicle	MODIFICATIONS			REMARKS
		Part Number	Illus. No.	RHD	LHD			New Part Number	Change Point	Amdt. No.	
	<b>FLASHER—HORN</b>										
1	Flasher unit	<b>11G9093</b>	<b>ND1</b>	1	1						
2	Screw for flasher unit to dash	PMZ0508	ND2	2	2						
3	Washer for screw (spring)	LWZ205	ND3	2	2	24					
4	Nut for screw—flasher unit to dash	FNZ105	ND4	2	2						
5	<b>Unit—relay—flasher lights</b>	<b>3H1454</b>	<b>ND5</b>	1	1						
6	Screw for relay unit to dash	PMZ0408	ND6	2	2						
7	Washer for screw (spring)	LWZ204	ND7	2	2						
8	Nut for screw—relay unit to dash	FNZ104	ND8	2	2						
9	<b>Horn—low note</b>	<b>1B9007</b>	<b>ND9</b>	1	1						
10	Bracket—horn	135448	ND10	1	1						
11	Screw—horn bracket to R/H front extension	HZS0505	ND11	2	2						
12	Nut for screw	FNZ105	ND12	2	2						
13	Washer for nut (spring)	LWZ205	ND13	2	2	24					
14	Screw—horn to bracket	HZS0407	ND14	2	2						
15	Nut for screw	FNZ104	ND15	2	2						
16	Washer for nut (spring)	LWZ204	ND16	2	2						
17	Grommet—horn	ADG1517		1	1						
18	<b>Horn—high note</b>	<b>1B9008</b>		1	1						
19	Bracket—L/H horn	135761		1	1						
20	Screw—horn bracket to L/H front extension	HZS0505		2	2						
21	Nut for screw	FNZ105		2	2						
22	Washer for nut (spring)	LWZ205		2	2	24					
23	Screw—horn to bracket	HZS0407		2	2						
24	Nut for screw	FNZ104		2	2						
25	Washer for nut (spring)	LWZ204		2	2						
26	Harness—horn	AHH5453		1	1						
27	Strap—horn harness	AHH5506		2	2						
28	Grommet—horn	ADG1517		1	1						

Optional extras



A2280





A2196

**SERVICE PARTS LIST**

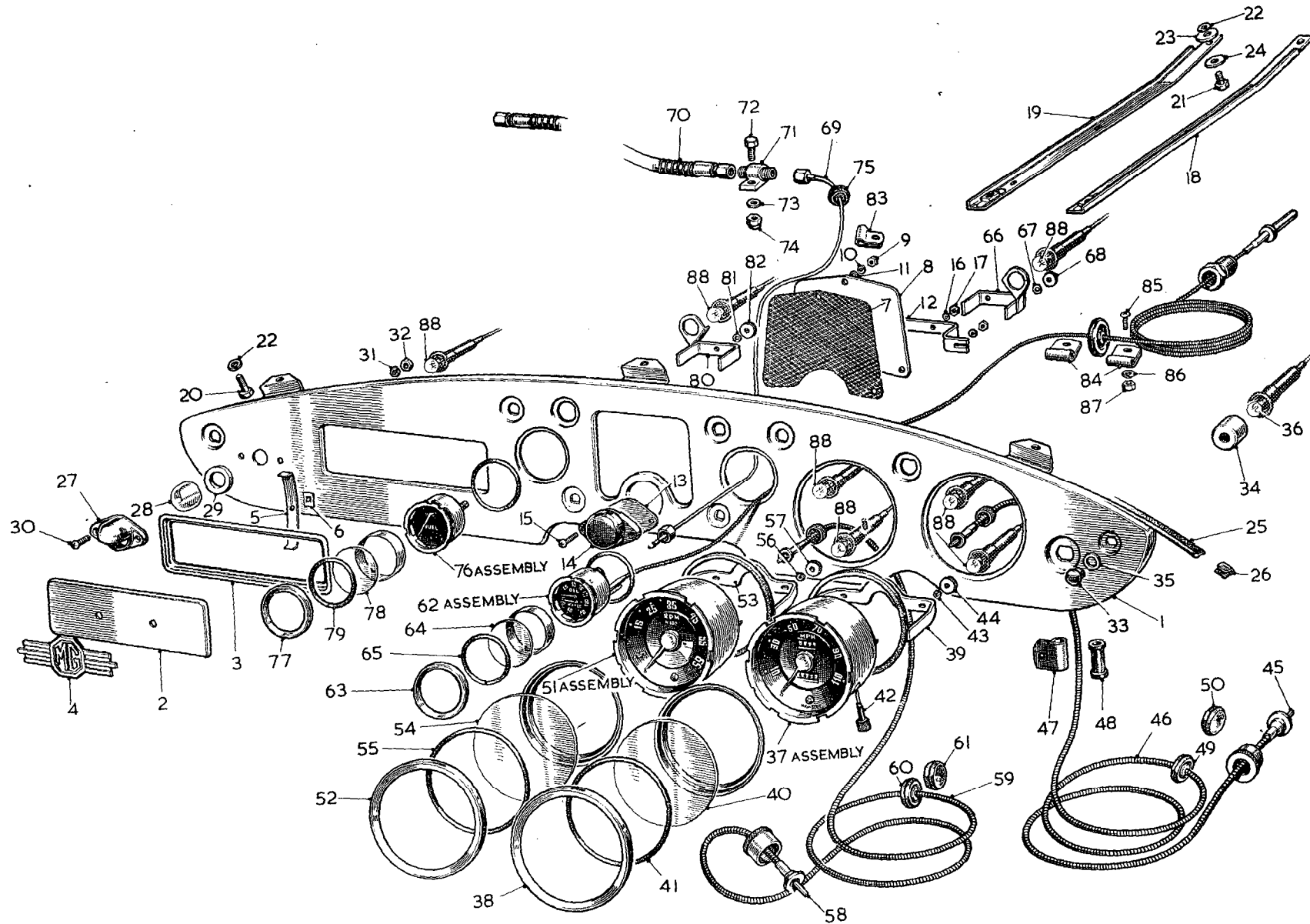
**THE M.G. Series MGA 1500**

	DESCRIPTION	Commencing (C) 10101		Qty. per Vehicle		Unit of Issue	Type of Vehicle	MODIFICATIONS			REMARKS
		Part Number	Illus. No.	RHD	LHD			New Part Number	Change Point	Amdt. No.	
	<b>WINDSCREEN WIPER</b>										
1	Motor—wiper	37H5308	NE1	1	1						
2	Brush gear	17H5396	NE2	1 set	1 set	1					
3	Brushes	7H5130	NE3	1 set	1 set	1					
4	Armature	17H5255	NE4	1	1						
5	Field coils	17H5432	NE5	1 set	1 set	1					
6	Fixing parts	17H5431		1 set	1 set	1					
7	Switch—adjusting	17H5442	NE6	1	1						
8	Shaft and gear	37H5437	NE7	1	1						
9	Sundry parts	17H5441		1 set	1 set	1					
10	Bracket for wiper motor—lower	AHH5507	NE8	1	1						
11	Bracket for wiper motor—upper	AHH5508	NE9	1	1						
12	Washer for lower bracket (plain)	PWZ204	NE10	2	2						
13	Washer for lower bracket (spring)	LWZ203	NE11	2	2						
14	Nut for lower bracket to bulkhead	FNZ103	NE12	2	2						
15	Washer for upper bracket (spring)	LWZ204	NE13	1	1						
16	Nut for upper bracket to lower bracket	FNZ104	NE14	1	1						
17	Outer casing—wheelbox to motor	AHH5410	NE15	1	1						
18	Grommet	8D5768	NE16	1	1						
19	Outer casing—wheelbox to wheelbox	AHH5411	NE17	1	1						
20	Outer casing—short end	14G3722	NE18	1	1						
21	<b>Wheelbox assembly</b>	<b>14B5588</b>	<b>NE19</b>	<b>2</b>	<b>2</b>						
22	Spindle and gear	17H5388	NE20	2	2						
23	Tube for spindle (rubber)	17H5389	NE21	2	2						
24	Bush—front	ADB826	NE22	2	2						
25	Bush—rear	AHH5414	NE23	2	2						
26	Washer—rubber	ADC560	NE24	2	2						
27	Nut	185925	NE25	2	2						
28	Screw—cover	17H5390	NE26	4	4						
29	Cross-head and rack assembly	37H5169		1	1						
30	Arm—wiper	AHH5419	NE27	2	2			17H5513	] Com. (C) 13612 Com. (C) 12800		
31	Arm—wiper	AHH5421		2	2			17H5514			
32	Blade—wiper	AHH5417	NE28	2	2			17H5512			

**SERVICE PARTS LIST**

**THE M.G. Series MGA 1500**

Item No.	DESCRIPTION	Commencing (C) 10101		Qty. per Vehicle		Unit of Issue	Type of Vehicle	MODIFICATIONS			REMARKS
		Part Number	Illus. No.	RHD	LHD			New Part Number	Change Point	Amdt. No.	
	<b>CABLES AND CONNECTIONS</b>										
1	Harness—main forward	37H5056		1	1						Prior to (C) 13473 supply also 1 off 37H5057 lead
2	Lead—flasher and headlamp—L/H			1	1			37H5057	Com. (C) 13473		
3	Harness—chassis	AHH5444		1	1						
4	Harness—panel	AHH5445		1	1						
5	Harness—tail lamp	AHH5446		1	1						
6	Cable—coil to distributor	AHH5447		1	1						
7	Cable—positive battery to earth	AHH5448		1	1						
8	Cable—negative battery to starter switch	AHH5449		1	1						
9	Link for battery—positive to negative	AHH5450		1	1						
10	Cable—starter switch to starter	AHH5451		1	1			BHA4133	Com. (C) 63435		
11	Strip—engine to earth	AHH5452		1	1						
12	Clip—main harness—dash to body bolt	PCR1011		1	1						
13	Clip—main harness to bulkhead	PCR1007		2	2						
14	Screw for main harness clip to bulkhead—short	PMZ0306		2	2						
15	Screw for main harness clip to bulkhead—long	PMZ0314		1	1						
16	Washer for screw (spring)	LWZ203		2	2						
17	Nut for main harness clip screw	FNZ103		2	2						
18	Clip—dash wiring loom (rubber)	ACH8979		2	2						
19	Clip—main harness to wing bolts	PCR0811		2	2						
20	Clip—cable to rear number-plate bracket	PCR0311		1	1						
21	Nut for clips to wing bolt	FNZ105		3	3						
22	Washer (spring)	LWZ205		3	3	24					
23	Clip—head and sidelamp cable to wing bolt	PCR0811		2	2						
24	Clip—headlamp cable to front panel	PCR0607		3	3						
25	Screw for clip to front panel	PMZ0308		3	3						
26	Washer for screw (spring)	LWZ203		3	3						
27	Nut for clip screw	FNZ103		3	3						
28	Clip for dynamo cable to starter cable (rubber)	ACH8979		1	1						
29	Cable—petrol pump to earth	ADH2611		1	1						
30	Nut for petrol pump to earth cable	FNZ104		1	1						
31	Washer (spring)	LWZ204		1	1						
32	Screw—battery earth cable	HZS0504		1	1						
33	Washer for screw (spring)	LWZ205		1	1	24					
34	Nut for earth cable screw	FNZ105		1	1						
35	Clip for negative cable to starter switch	PCR0709		1	1						
36	Locknut to ramp screw clip	FNZ204		1	1						
37	Washer for ramp screw	LWZ204		1	1						
38	Clip for tail lamp harness to side-member	PCR0407		2	2						
39	Screw for clip	PMZ0306		2	2						
40	Harness—headlamp flasher switch extension (N. AMERICA)	BHA4117			1						Optional extra



9622A

**SERVICE PARTS LIST**

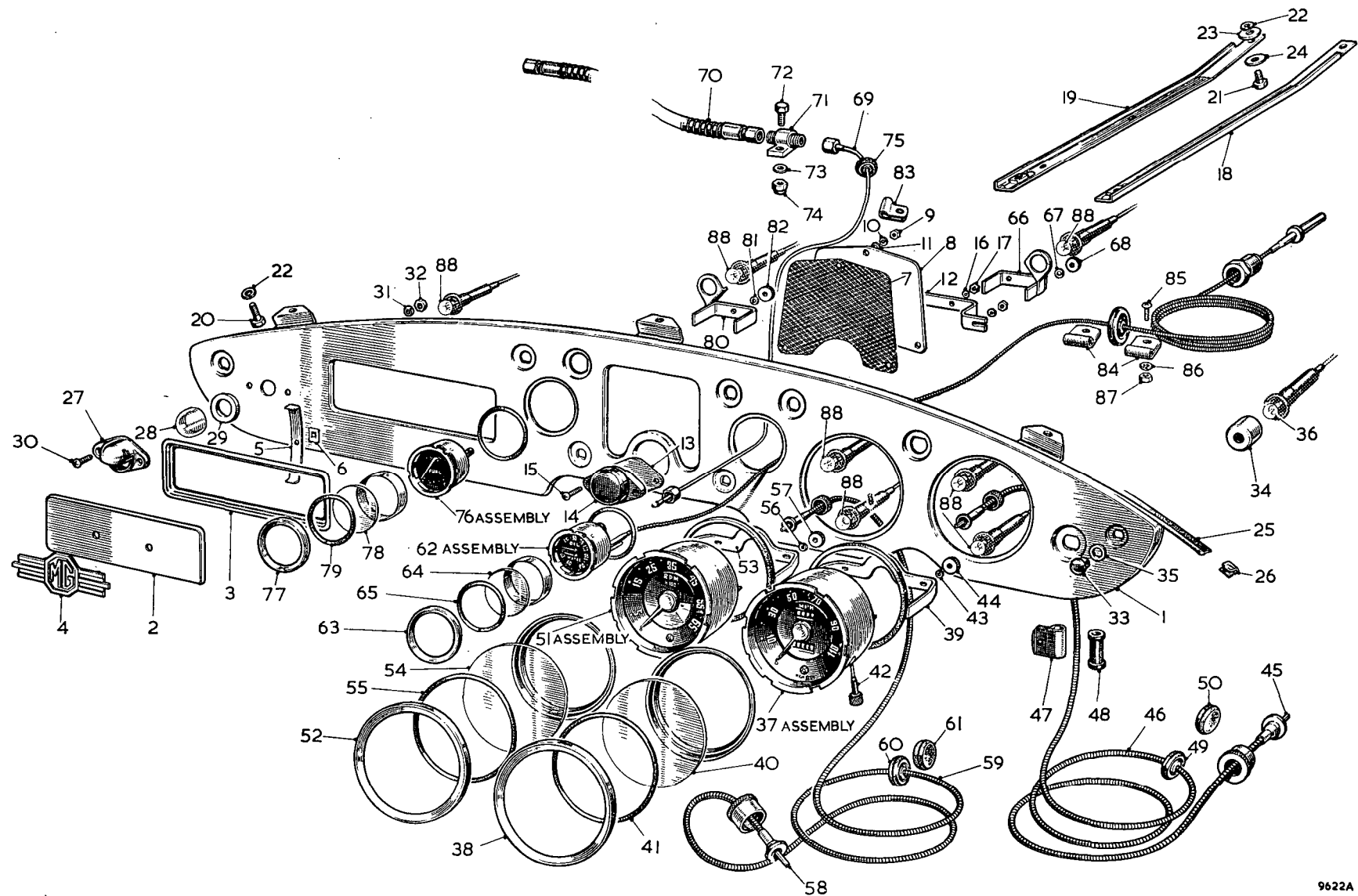
**THE M.G. Series MGA 1500**

Item No.	DESCRIPTION	Commencing (C) 10101		Qty. per Vehicle		Unit of Issue	Type of Vehicle	MODIFICATIONS			REMARKS
		Part Number	Illus. No.	RHD	LHD			New Part Number	Change Point	Amdt. No.	
	<b>FASCIA PANEL AND INSTRUMENTS</b>										
1	Fascia panel	<b>ARH57</b>	<b>01</b>	<b>1</b>			<b>] Tourer</b>				
2	Fascia panel	<b>ARH58</b>			<b>1</b>						
3	Blanking plate for radio aperture	ARH59	O2	1	1						
4	Bezel—radio aperture	AHH5255	O3	1	1						
5	Motif—'M.G.'	AHH5258	O4	1	1						
6	Clip—blanking plate to fascia panel	AHH5256	O5	2	2						
7	Spire nut—clip	ADB509	O6	2	2						
8	Grille—radio speaker	AHH5254	O7	1	1						
9	Blanking plate for speaker grille	AHH5376	O8	1	1						
10	Nut for grille blanking plate to panel	FNZ103	O9	3	3						
11	Washer (spring)	LWZ203	O10	3	3						
12	Washer (plain)	PWZ103	O11	3	3						
13	Bracket for horn-push	AHH5287	O12	1	1						
14	Insulating piece for horn-push	AHH5257	O13	1	1						
15	<b>Push—horn</b>	<b>2H3383</b>	<b>O14</b>	<b>1</b>	<b>1</b>						
16	Screw for push to bracket	PMZ0210	O15	2	2						
17	Washer for screw (spring)	LWZ202	O16	2	2						
18	Nut for horn-push screw	CNZ102	O17	2	2						
19	Support angle assembly—R/H—fascia	AFH1712	O18	2	2						
20	Support angle assembly—L/H—fascia	AFH1713	O19	2	2						
21	Set screw for fascia panel fixing	AFH2587	O20	3	3						
22	Set screw for support angle	PPZ0308	O21	4	4						
23	Washer for set screw (spring)	LWZ203	O22	7	7						
24	Washer for set screw (plain)	PWZ204	O23	3	3						
25	Washer for set screw (plain)	PWZ203	O24	4	4						
26	<b>Piping—Red</b>	<b>AFH1837</b>	<b>O25</b>	<b>A/R</b>	<b>A/R</b>			<b>AFH4841</b>			
27	<b>Piping—Green</b>	<b>AFH1838</b>		<b>A/R</b>	<b>A/R</b>			<b>AFH4842</b>	<b>] Com. (C) 17220</b>		<b>] State length</b>
28	<b>Piping—Grey</b>	<b>AFH1839</b>		<b>A/R</b>	<b>A/R</b>			<b>AFH4843</b>			
29	<b>Piping—Off White</b>	<b>AFH1840</b>		<b>A/R</b>	<b>A/R</b>			<b>AFH4844</b>			
30	Clip for fascia piping	ADA833	O26	8	8						
31	<b>Cover—map light</b>	<b>37H5426</b>	<b>O27</b>	<b>1</b>	<b>1</b>						
32	Glass for map light	17H5301	O28	1	1						
33	Rubber for map light glass	17H5302	O29	1	1						
34	Screw for map lamp to fascia panel	RMP0310	O30	2	2						
35	Washer for screw (spring)	LWZ203	O31	2	2						
36	Nut for map lamp to fascia screw	FNZ103	O32	2	2						
37	Flasher warning light	AHH5370	O36	1	1						
38	Bulb	2H4732		1	1						
39	Bulb holder	37H5181		1	1						
40	Sleeve (rubber)	3H999		1	1						
41	Shade	AJG5047	O34	1	1						
42	Window (green)	AJG5046	O33	1	1						
43	Bezel (chrome)	184166	O35	1	1						

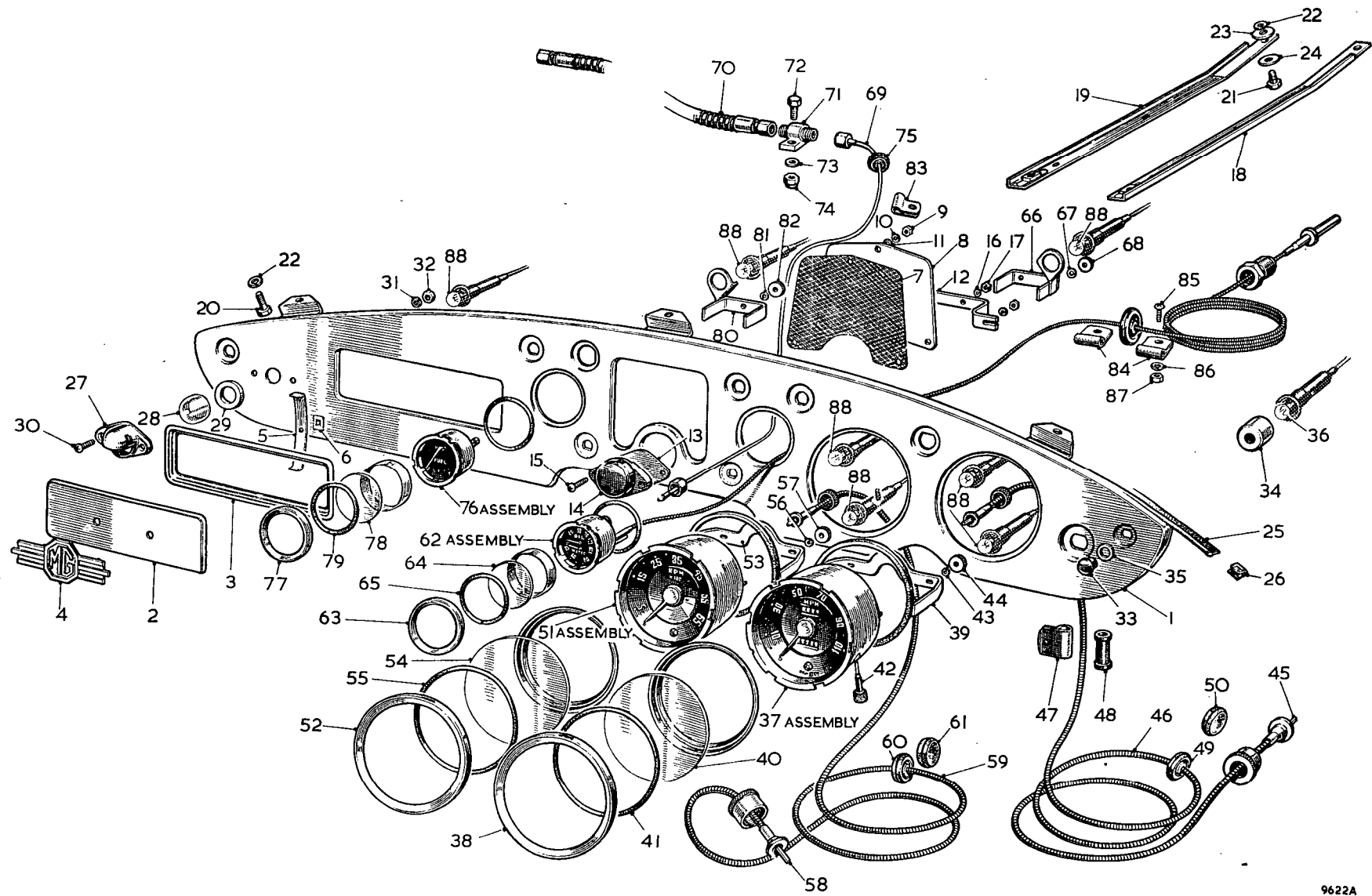
**SERVICE PARTS LIST**

**THE M.G. Series MGA 1500**

Item No.	DESCRIPTION	Commencing (C) 10101		Qty. per Vehicle		Unit of Issue	Type of Vehicle	MODIFICATIONS			REMARKS
		Part Number	Illus. No.	RHD	LHD			New Part Number	Change Point	Amdt. No.	
	<b>Fascia Panel and Instruments—continued</b>										
1	Speedometer (miles)	AHH5185	O37	1				17H292	] Com. (C) 14090		
2	Speedometer (kilos)	AHH5186			1			17H293			
3	Bezel	27H397	O38	1	1						
4	Strap	AJH5176	O39	1	1						
5	Glass	AJH5177	O40	1	1						
6	Rubber ring	AJH5178	O41	1	1						
7	Trip knob	AJH5179	O42	1	1						
8	Washer (spring)	27H387	O43	2	2						
9	Nut—knurled	17H932	O44	2	2						
10	Cable—speedometer (5' 3")	AHH5292		1	1			27H1393	] Com. (C) 17588 Fin. (C) (LHD) 61503		
11	Cable—inner	7H1694	O45	1	1			17H1346			
12	Cable—outer	17H221	O46	1	1			27H1391			
13	Cable—speedometer (5' 6")				1			ACC8788	] Com. (C) 61504		
14	Cable—inner				1			17H756			
15	Cable—outer				1			17H757			
16	Clip for cable to dash	PCR0709	O47	1	1						
17	Rubber sleeve for clip	ACH8529	O48	1	1						
18	Washer (spring)	LWZ204		1	1						
19	Nut for speedometer clip R/H toeboard screw	FNZ104		1	1						
20	Grommet—cable through dash	ACB8474	O49	1	1						
21	Grommet—blanking—for cable hole in dash	4G2541	O50	1	1						
22	Revolution counter	AI1115187	O51	1	1			17H300	Com. (C) 14090		
23	Bezel	27H397	O52	1	1						
24	Strap	AJH5176	O53	1	1						
25	Glass	AJH5177	O54	1	1						
26	Rubber ring	AJH5178	O55	1	1						
27	Washer (spring)	27H387	O56	2	2						
28	Nut—knurled	17H932	O57	2	2						
29	Cable—revolution counter (4' 0")	AHH5353		1				1B9141	] Com. (C) 17588		
30	Cable—inner	7H1695	O58	1				17H630			
31	Cable—outer	17H220	O59	1				17H1343			
32	Cable—revolution counter (3' 2")	AHH5354			1			27H1801			
33	Cable—inner	17H218			1			27H1860			
34	Cable—outer	17H219			1			27H1861			
35	Grommet—cable through dash	ACB8474	O60	1	1						
36	Grommet—blanking—for cable hole in dash	4G2541	O61	1	1						



9622A



9622A



**SERVICE PARTS LIST**

**THE M.G. Series MGA 1500**

Item No.	DESCRIPTION	Commencing (C) 10101		Qty. per Vehicle		Unit of Issue	Type of Vehicle	MODIFICATIONS			REMARKS
		Part Number	Illus. No.	RHD	LHD			New Part Number	Change Point	Amdt. No.	
	<b>Fascia Panel and Instruments—continued</b>										
1	Gauge—oil and temperature	<b>AHH5188</b>	<b>O62</b>	1	1			<b>17H298</b>	<b>Com. (C) 14090</b>		
2	Gauge—oil and temperature (Centigrade)							<b>BHA4110</b>	<b>Com. (C) 57574</b>		
3	Bezel	AJH5182	O63	1	1						
4	Glass	17H1008	O64	1	1						
5	Rubber ring	17H1821	O65	1	1						
6	Rubber ring							27H972	] Com. (C) 57574	]	Centigrade gauge
7	Strip—window							17H1481			
8	Strap	AJH5186	O66	1	1						
9	Washer (spring)	27H387	O67	2	2						
10	Nut—knurled	17H932	O68	2	2						
11	Pipe assembly for oil gauge—with nuts and nipples	AHH5323	O69	1	1						
12	Pipe—flexible—for connector to engine	83866	O70	1	1						
13	Connector for oil gauge pipes	83875	O71	1	1						
14	Screw for oil pipe connector to starter bracket	HZS0406	O72	1	1						
15	Washer for connector screw	PWZ104	O73	1	1						
16	Nut for connector screw	LNZ104	O74	1	1						
17	Grommet for oil gauge pipe	84138	O75	1	1						
18	<b>Gauge—fuel</b>	<b>AHH5189</b>	<b>O76</b>	1	1			<b>17H299</b>	<b>Com. (C) 14090</b>		
19	Bezel	AJH5182	O77	1	1						
20	Glass	17H1068	O78	1	1						
21	Rubber ring	17H1821	O79	1	1						
22	Strap	AJH5185	O80	1	1						
23	Washer (spring)	27H387	O81	1	1						
24	Nut—knurled	17H932	O82	1	1						
25	Clip for oil gauge pipe to dash bulkhead—front	PCR0207	O83	1	1						
26	Clip for oil gauge pipe to dash bulkhead—rear	PCR0207		1	1						
27	Clip for thermometer pipe to dash bulkhead—front and rear	PCR0307	O84	3	3						
28	Screw for oil and thermometer pipe clips	PMZ0307	O85	2	2						
29	Washer for screw (spring)	LWZ203	O86	3	3						
30	Nut for pipe clip screw	FNZ103	O87	3	3						
31	Clip for thermometer pipe			1	1			BHA4081	] Com. (C) 49148	]	
32	Clip retainer			1	1			AHH5802			
33	<b>Bulb for panel and warning lights</b>	<b>2H4732</b>	<b>O88</b>	7	7						
34	Bulb holder—speedometer, revolution counter, and map light	37H5181		4	4						
35	Bulb holder—fuel gauge and oil and temperature gauge	3H914		2	2						
36	Bulb holder—ignition warning light	47H5166		1	1						

