

70878

SERVICE PARTS LIST

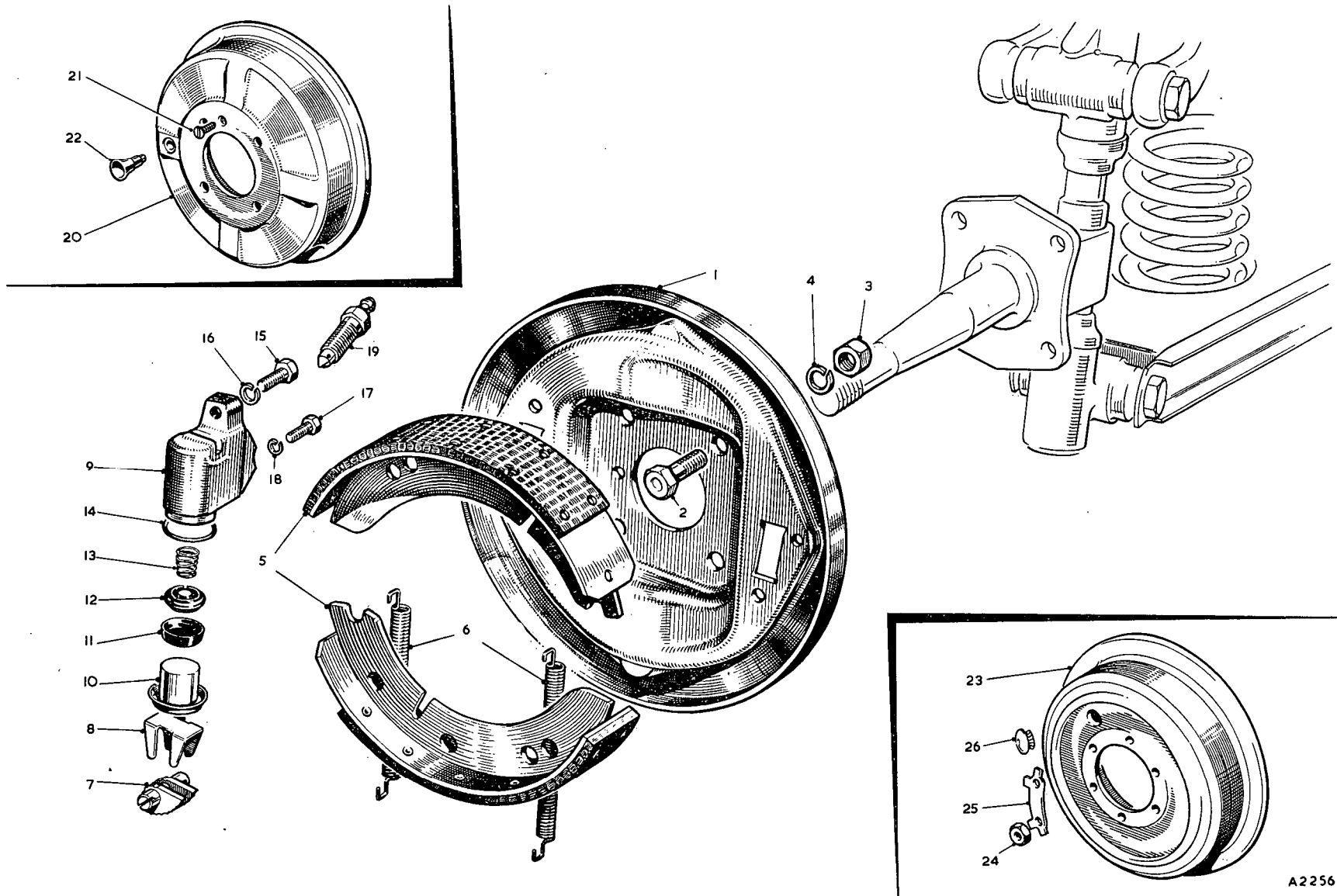
THE M.G. Series MGA 1500

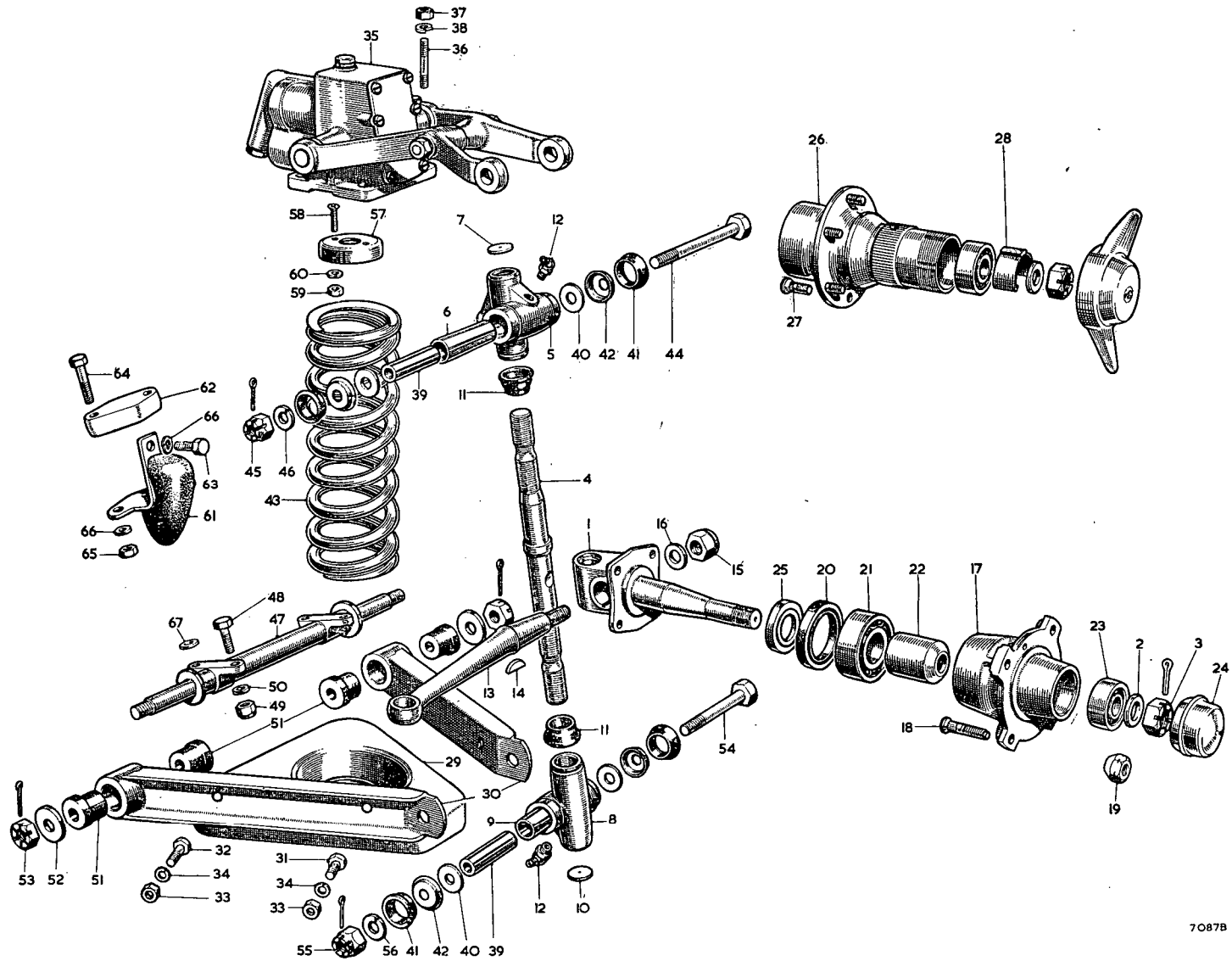
Item No.	DESCRIPTION	Commencing (C) 10101		Qty. per Vehicle		Unit of Issue	Type of Vehicle	MODIFICATIONS			REMARKS
		Part Number	Illus. No.	RHD	LHD			New Part Number	Change Point	Amdt. No.	
FRONT AXLE AND SUSPENSION											
1	Front suspension assembly—R/H	N.S.P.		1	1						
2	Front suspension assembly—L/H	N.S.P.		1	1						
3	Steering knuckle—R/H	ATB4206		1	1			ATB4268] Com. (C) 54247		
4	Steering knuckle—L/H	ATB4207	K1	1	1			ATB4269			
5	Washer—steering knuckle	ATB4069	K2	1	1						
6	Nut for steering knuckle (R.H.T.)	FNZ412		1	1						
7	Nut for steering knuckle (L.H.T.)	FNZ2412	K3	1	1						
8	Pin—swivel—R/H	ATB4218		1	1						
9	Pin—swivel—L/H	ATB4219	K4	1	1						
10	Link—swivel pin—upper R/H	ATB4208		1	1						
11	Link—swivel pin—upper L/H	ATB4209	K5	1	1						
12	Bush	ACG6005	K6	2	2						
13	Plate	ACA4010	K7	2	2						
14	Link—swivel pin—lower—R/H	ATB4212		1	1						
15	Link—swivel pin—lower—L/H	ATB4213	K8	1	1						
16	Bush	ACG6005	K9	2	2						
17	Plate	ACA4010	K10	2	2						
18	Seal for swivel pin	ACG4030	K11	4	4						
19	Lubricator	UHN405	K12	4	4						
20	Lever—steering—R/H	ATB4186		1	1			ATB4260] Com. (C) 54247		
21	Lever—steering—L/H	ATB4187	K13	1	1			ATB4261			
22	Key for steering lever	WKN506	K14	2	2						
23	Nut for steering lever	LNZ108	K15	2	2] Fin. (C) 54246		
24	Nut for steering lever	LNZ208		2	2						
25	Nut for steering lever			2	2] Com. (C) 54247		
26	Washer for nut		K16	2	2			LNZ110 PWZ110			
27	Hub assembly	ATB4067	K17	2	2						
28	Stud—wheel	1G4359	K18	8	8						
29	Nut for wheel stud	ATB7074	K19	8	8	12] Disc wheels
30	Seal—oil	ACF4004	K20	2	2	6					
31	Bearing for hub—inner	ACF4002	K21	2	2						
32	Distance piece for bearing	ACF4003	K22	2	2						
33	Bearing for hub—outer	ACF4000	K23	2	2						
34	Cup—grease-retaining	ATB4098	K24	2	2						Disc wheels
35	Distance washer for hub	ACF4001	K25	2	2						
36	Hub assembly—R/H	ATB4180		1	1						
37	Hub assembly—L/H	ATB4181	K26	1	1] Wire wheels
38	Stud—wheel	ATB4124	K27	12	12						
39	Retainer—grease	ATB4131	K28	2	2						

SERVICE PARTS LIST

THE M.G. Series MGA 1500

Item No.	DESCRIPTION	Commencing (C) 10101		Qty. per Vehicle		Unit of Issue	Type of Vehicle	MODIFICATIONS			REMARKS
		Part Number	Illus. No.	RHD	LHD			New Part Number	Change Point	Amdt. No.	
	Front Axle and Suspension—continued										
1	Plate—brake—R/H	ATB4190		1	1						
2	Plate—brake—L/H	ATB4191	KA1	1	1						
3	Bolt—brake-plate to steering knuckle	ATC4067	KA2	8	8						
4	Nut for bolt	FNZ106	KA3	8	8						
5	Washer for nut (spring)	LWZ306	KA4	8	8						
6	Shoe assembly—brake	8G8025	KA5	2 sets	2 sets	1					
7	Lining with rivets	AJH5172		1 box	1 box	1					
8	Spring—brake-shoe pull-off	7H7936	KA6	4	4						
9	Adjuster assembly	7H7981	KA7	4	4						
10	Mask for adjuster	7H7930	KA8	4	4						
11	Cylinder assembly—wheel—R/H	7H7949		2	2						
12	Cylinder assembly—wheel—L/H	7H7950		2	2						
13	Body—R/H	7H7947		1	1						
14	Body—L/H	7H7948	KA9	1	1						
15	Piston and dust cover	7H7941	KA10	2	2						
16	Cup for piston	7H7924	KA11	2	2	6					
17	Filler for piston cup	7H7938	KA12	2	2						
18	Spring for filler	7H7939	KA13	2	2						
19	Ring—sealing	7H7753	KA14	2	2						
20	Bolt—cylinder to brake-plate ($\frac{3}{8}$ "	7H7636	KA15	4	4						
21	Washer for bolt (spring)	7H7368	KA16	4	4						
22	Bolt—cylinder to brake-plate ($\frac{1}{4}$ "	7H7520	KA17	4	4						
23	Washer for bolt	7H7367	KA18	4	4						
24	Screw—bleeder	3H2428	KA19	2	2						
25	Drum—brake	ATB7075	KA20	2	2						
26	Screw—drum to hub	CMZ0407	KA21	4	4						Disc wheels
27	Plug—brake-drum (large)	ACH5703	KA22	2	2						
28	Plug—brake-drum (small)	ACH5704		2	2						
29	Drum—brake	ATB4165	KA23	2	2						Wire wheels
30	Nut—drum to hub	FNZ206	KA24	12	12						
31	Tab—drum to hub (locking)	ATB4125	KA25	6	6						
32	Plug—brake-drum (large)	140677	KA26	A/R	A/R						
33	Plug—brake-drum (small)	AHH5514		A/R	A/R						





7087B

SERVICE PARTS LIST

THE M.G. Series MGA 1500

Item No.	DESCRIPTION	Commencing (C) 10101		Qty. per Vehicle		Unit of Issue	Type of Vehicle	MODIFICATIONS			REMARKS
		Part Number	Illus. No.	RHD	LHD			New Part Number	Change Point	Amdt. No.	
	Front Axle and Suspension—continued										
1	Spring pan assembly	126905	K29	2	2			AHH5925	Com. (C) 66574		
2	Bottom wishbone assembly	126908	K30	4	4						
3	Screw—spring pan to wishbone	HZS0507	K31	4	4						
4	Screw—spring pan to wishbone	HZS0508	K32	4	4						
5	Nut for screw	FNZ105	K33	8	8						
6	Washer for screw (spring)	LWZ205	K34	8	8	24					
7	Absorber—shock	AHH4004	K35	2	2						
8	Stud—shock absorber to cross-member	AHH5070	K36	8	8						
9	Nut for stud	FNZ106	K37	8	8						
10	Washer for nut (spring)	LWZ206	K38	8	8						
11	Distance tube for link	126900	K39	4	4						
12	Washer for link (thrust)	127657	K40	8	8						
13	Seal—link	126902	K41	8	8						
14	Support for link seal	126903	K42	8	8						
15	Spring—coil	139105	K43	2	2			AHH5546	Com. (C) 15152		Prior to (C) 15152 supply in pairs only
16	Bolt—wishbone to link	AHH4002	K44	2	2						
17	Nut for bolt	FNZ308	K45	2	2						
18	Washer for bolt (spring)	LWZ208	K46	2	2						
19	Wishbone—pivot	AHH4003	K47	2	2						
20	Bolt—pivot to member	ACB5255	K48	8	8						
21	Nut for bolt	LNZ106	K49	8	8						
22	Washer for bolt (spring)	LWZ206	K50	8	8						
23	Bush—bottom wishbone	126914	K51	8	8						
24	Washer—wishbone pivot	126915	K52	4	4						
25	Nut for wishbone pivot (slotted)	FNZ408	K53	4	4						
26	Bolt—bottom wishbone to link	AHH4001	K54	2	2						
27	Nut for bolt	FNZ308	K55	2	2						
28	Washer for bolt (spring)	LWZ208	K56	2	2						
29	Spigot—spring	AHH5897	K57	2	2						
30	Screw—spigot to member	CMZ0418	K58	4	4						
31	Nut for screw	FNZ104	K59	4	4						
32	Washer for screw (spring)	LWZ204	K60	4	4						
33	Rubber—check	500822	K61	2	2						
34	Distance piece for check rubber	500823	K62	2	2						
35	Screw—check rubber to member	HZS0504	K63	2	2						
36	Bolt—check rubber to member	HBZ0512	K64	4	4						
37	Nut for bolt	FNZ105	K65	4	4						
38	Washer for nut (spring)	LWZ205	K66	6	6	24					
39	Washer for nut (plain)	PWZ106	K67	2	2						

SERVICE PARTS LIST

THE M.G. Series MGA 1500

Item No.	DESCRIPTION	Commencing (C) 10101		Qty. per Vehicle		Unit of Issue	Type of Vehicle	MODIFICATIONS			REMARKS
		Part Number	Illus. No.	RHD	LHD			New Part Number	Change Point	Amdt. No.	
	Front Axle and Suspension—continued										
1	Link—anti-roll bar—R/H			1	1			AHH5931] Com. (C) 66574		Optional extra. Andrex dampers and anti-roll bar equipment not to be used simultaneously
2	Link—anti-roll bar—L/H			1	1			AHH5932			
3	Nut—link to spring pan			2	2			FNZ108			
4	Washer for nut (spring)			2	2			LWZ208			
5	Bar assembly—anti-roll			1	1			AHH5940			
6	Bush			2	2			AHH5939			
7	Bolt—link to bar			2	2			AHH5941			
8	Nut for bolt			2	2			LNZ107			
9	Washer for nut (plain)			2	2			PWZ107			
10	Bush—anti-roll bar			2	2			AHH5934			
11	Housing for bush			2	2			AHH5935			
12	Screw—housing to member			4	4			HZS0505			
13	Nut for screw			4	4			FNZ105			
14	Washer for nut (spring)			4	4			LWZ205			
15	Wishbone assembly—bottom—R/H			1	1			AHH5927			
16	Wishbone assembly—bottom—L/H			1	1			AHH5929			