

A2273

SERVICE PARTS LIST

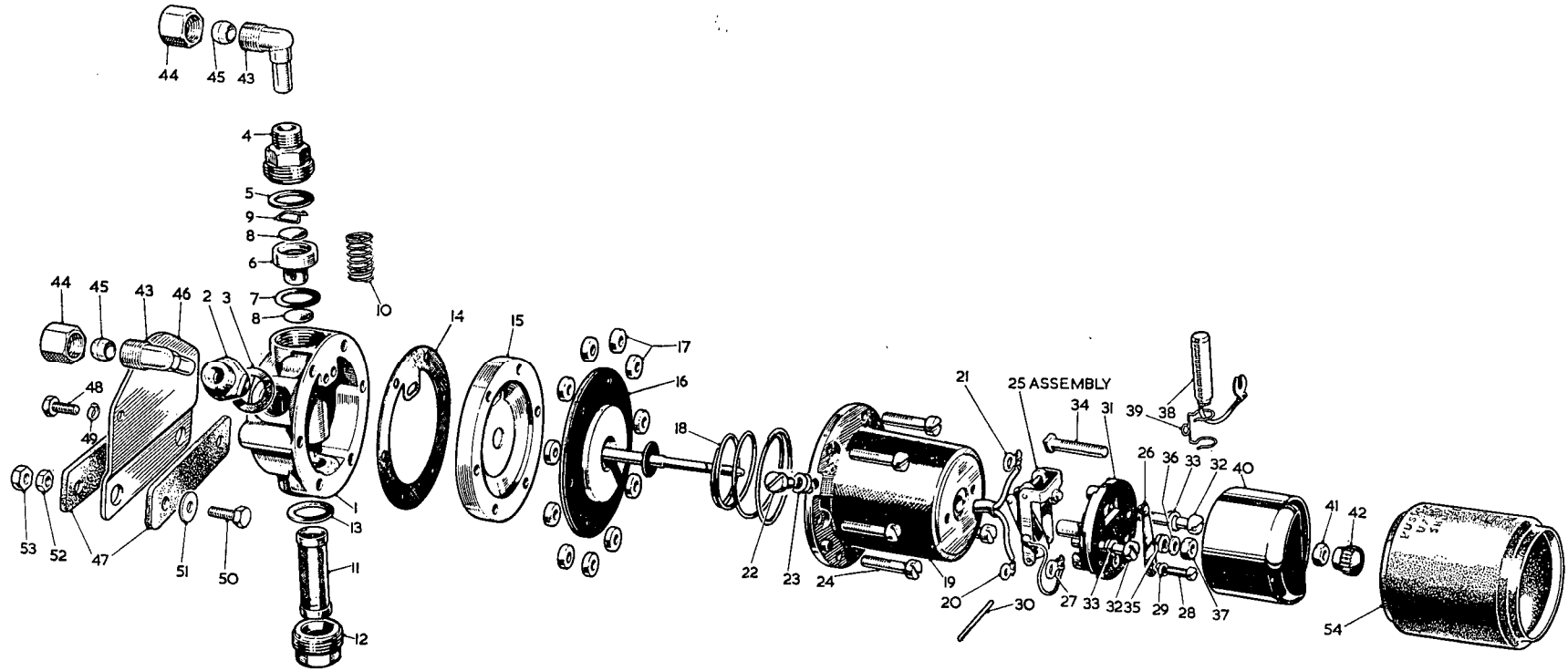
THE M.G. Series MGA 1500

Item No.	DESCRIPTION	Commencing (C) 10101		Qty. per Vehicle		Unit of Issue	Type of Vehicle	MODIFICATIONS			REMARKS
		Part Number	Illus. No.	RHD	LHD			New Part Number	Change Point	Amdt. No.	
	FUEL SYSTEM										
	FUEL PUMP										
1	Pump assembly	AUA54		.1	.1						
2	Body	AUA4080	D1	.1	.1						
3	Union—inlet	AUA887	D2	.1	.1						
4	Washer—union to body	AUA1405	D3	.1	.1						
5	Union—outlet	AUA1422	D4	.1	.1						
6	Washer—union to body	AUA1442	D5	.1	.1						
7	Cage—valve	AUA1416	D6	.1	.1						
8	Washer—cage	AUA1479	D7	.1	.1						
9	Disc—valve	AUA839	D8	.2	.2						
10	Clip—valve cage	AUA840	D9	.1	.1						
11	Spring—valve	AUA508	D10	.1	.1						
12	Filter	AUA1464	D11	.1	.1						
13	Plug—filter	AUA1421	D12	.1	.1						
14	Washer—plug	AUA1442	D13	.1	.1						
15	Joint—body to plate	AUA4082	D14	.1	.1						
16	Plate—body	AUA4081	D15	.1	.1						
17	Diaphragm assembly	AUA6010	D16	.1	.1						
18	Roller	AUA1433	D17	.11	.11						
19	Spring	AUA1785	D18	.1	.1						
20	Coil housing	AUA6003	D19	.1	.1						
21	Tag—5 B.A. terminal.....	AUA1455	D20	.1	.1						
22	Tag—2 B.A. terminal.....	AUA1456	D21	.1	.1						
23	Screw—earth	AUA4850	D22	.1	.1						
24	Washer for earth screw (spring)	AUA1863	D23	.2	.2						
25	Screw—housing to body	AUA4083	D24	.6	.6						
26	Rocker and blade	AUA6020	D25	.1	.1						
27	Blade.....	AUA6032	D26	.1	.1						
28	Tag—2 B.A. terminal	AUA1456	D27	.1	.1						
29	Screw for blade	AUA847	D28	.1	.1						
30	Washer for screw (spring)	AUA868	D29	.1	.1						
31	Spindle for contact breaker	AUA1435	D30	.1	.1						
32	Pedestal	AUA6034	D31	.1	.1						
33	Screw—pedestal to housing.....	AUA1459	D32	.2	.2						
34	Washer for screw (spring)	AUA1863	D33	.2	.2						
35	Screw for terminal	AUA1468	D34	.1	.1						
36	Washer for screw (spring)	AUA1863	D35	.1	.1						
37	Washer for screw (lead)	AUA1662	D36	.1	.1						
38	Nut for screw (recessed).....	AUA1661	D37	.1	.1						
39	Condenser	AUA5060	D38	.1	.1						
40	Clip for condenser	AUA5059	D39	.1	.1						
41	Cover—end	AUA5078	D40	.1	.1						
42	Nut for cover	AUA878	D41	.1	.1						
43	Knob—terminal	AUA869	D42	.1	.1						

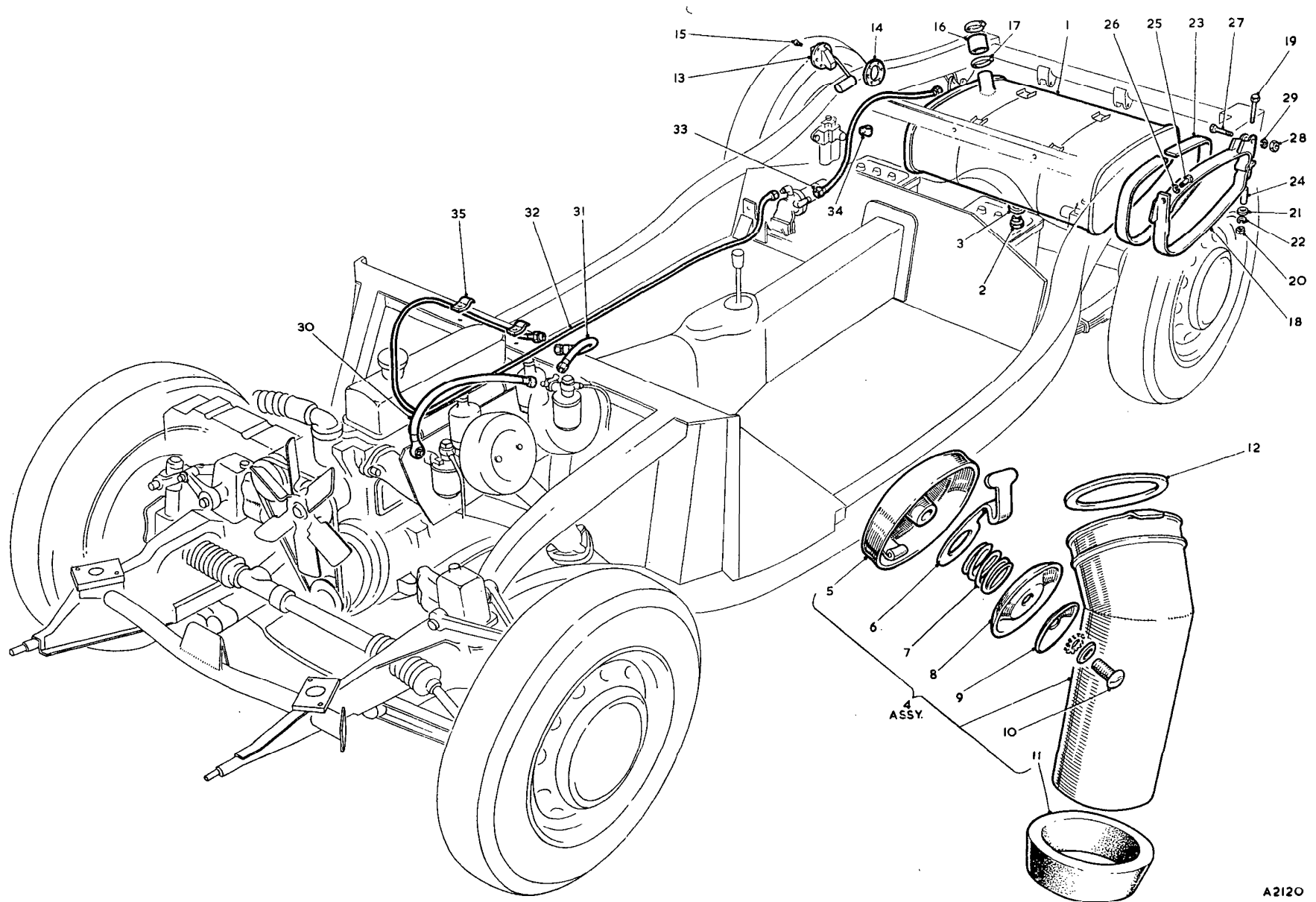
SERVICE PARTS LIST

THE M.G. Series MGA 1500

Item No.	DESCRIPTION	Commencing (C) 10101		Qty. per Vehicle		Unit of Issue	Type of Vehicle	MODIFICATIONS			REMARKS
		Part Number	Illus. No.	RHD	LHD			New Part Number	Change Point	Amdt. No.	
	Fuel Pump—continued										
1	Elbow for pump	AUA1478	D43	2	2						
2	Nut for elbow	2715	D44	2	2						
3	Olive for elbow	2718	D45	2	2						
4	Bracket—pump to frame	128355	D46	1	1						
5	Rubber—bracket	53626	D47	2	2						
6	Screw—pump to bracket	AJD6155Z	D48	2	2						
7	Washer for screw (spring)	LWZ204	D49	2	2						
8	Bolt—pump mounting	HBZ0409	D50	2	2						
9	Washer for bolt (special)	AJD7212	D51	2	2						
10	Nut for bolt	FNZ104	D52	2	2						
11	Locknut for bolt	FNZ204	D53	2	2						
12	Cover for fuel pump (rubber)	ACG5147	D54	1	1						



A2273



A2120

SERVICE PARTS LIST

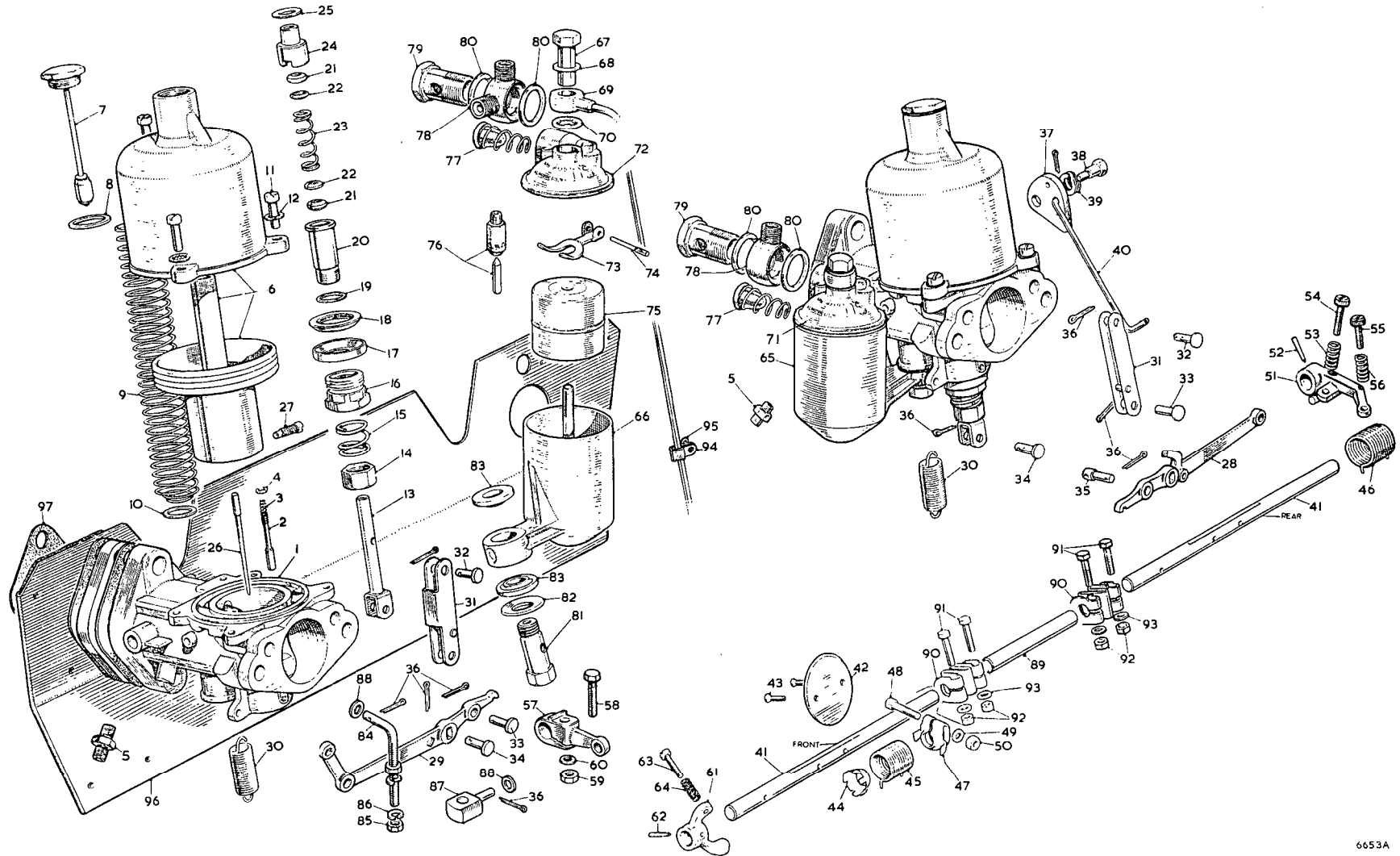
THE M.G. Series MGA 1500

Item No.	DESCRIPTION	Commencing (C) 10101		Qty. per Vehicle		Unit of Issue	Type of Vehicle	MODIFICATIONS			REMARKS
		Part Number	Illus. No.	RHD	LHD			New Part Number	Change Point	Amdt. No.	
	FUEL TANK										
1	Tank—fuel	AHH5121	DA1	1	1						
2	Plug	AHH5605	DA2	1	1						
3	Joint for plug	AIII5606	DA3	1	1						
4	Filler extension	AHH5104	DA4	1	1						
5	Cap—filler	ACH5781	DA5	1	1						
6	Lever—filler cap	97H474	DA6	1	1						
7	Spring—release	97H2048	DA7	1	1						
8	Plate—sealing	97H2049	DA8	1	1						
9	Washer—dished-type	97H2050	DA9	1	1						
10	Screw for cap to filler	97H2056	DA10	1	1						
11	Ring—sealing	ACH5850	DA11	1	1						
12	Ferrule—filler extension (rubber)	ACH5780	DA12	1	1						
13	Tank unit attachment	AHH5114	DA13	1	1						
14	Gasket—cork—tank attachment	ACB5468	DA14	1	1						
15	Screw for tank unit to tank	ACA5127	DA15	6	6						
16	Hose—filler connection	AHH5286	DA16	1	1						
17	Clip—hose	95482	DA17	2	2						
18	Strap and mounting assembly	AHH5107	DA18	2	2						
19	Bolt	HBZ0422	DA19	2	2						
20	Nut	LNZ104	DA20	2	2						
21	Washer (plain)	PWZ104	DA21	2	2						
22	Washer (spring)	LWZ204	DA22	2	2						
23	Packing strap—tank mounting (100")	AHH5115	DA23	2	2						
24	Distance piece—rear mounting	AHH5113	DA24	2	2						
25	Screw—front mounting	HZS0505	DA25	2	2						
26	Washer (spring)—front mounting	LWZ205	DA26	2	2	24					
27	Bolt for rear mounting	HBZ0416	DA27	2	2						
28	Nut for rear mounting	FNZ104	DA28	2	2						
29	Washer (spring)—rear mounting	LWZ204	DA29	2	2						
	FUEL PIPES										
30	Pipe—flexible—between carburetters	ACH8977	DA30	1	1						
31	Pipe—flexible—main pipe to carburetter	AHH5544	DA31	1	1						
32	Pipe assembly—fuel pump to carburetters	AHH5289	DA32	1	1						
33	Pipe assembly—tank to fuel pump	AHH5291	DA33	1	1						
34	Clip for pipe to rear shock absorber bolt	54516	DA34	1	1						
35	Clip for fuel pipe to bulkhead	CHR0511	DA35	2	2						

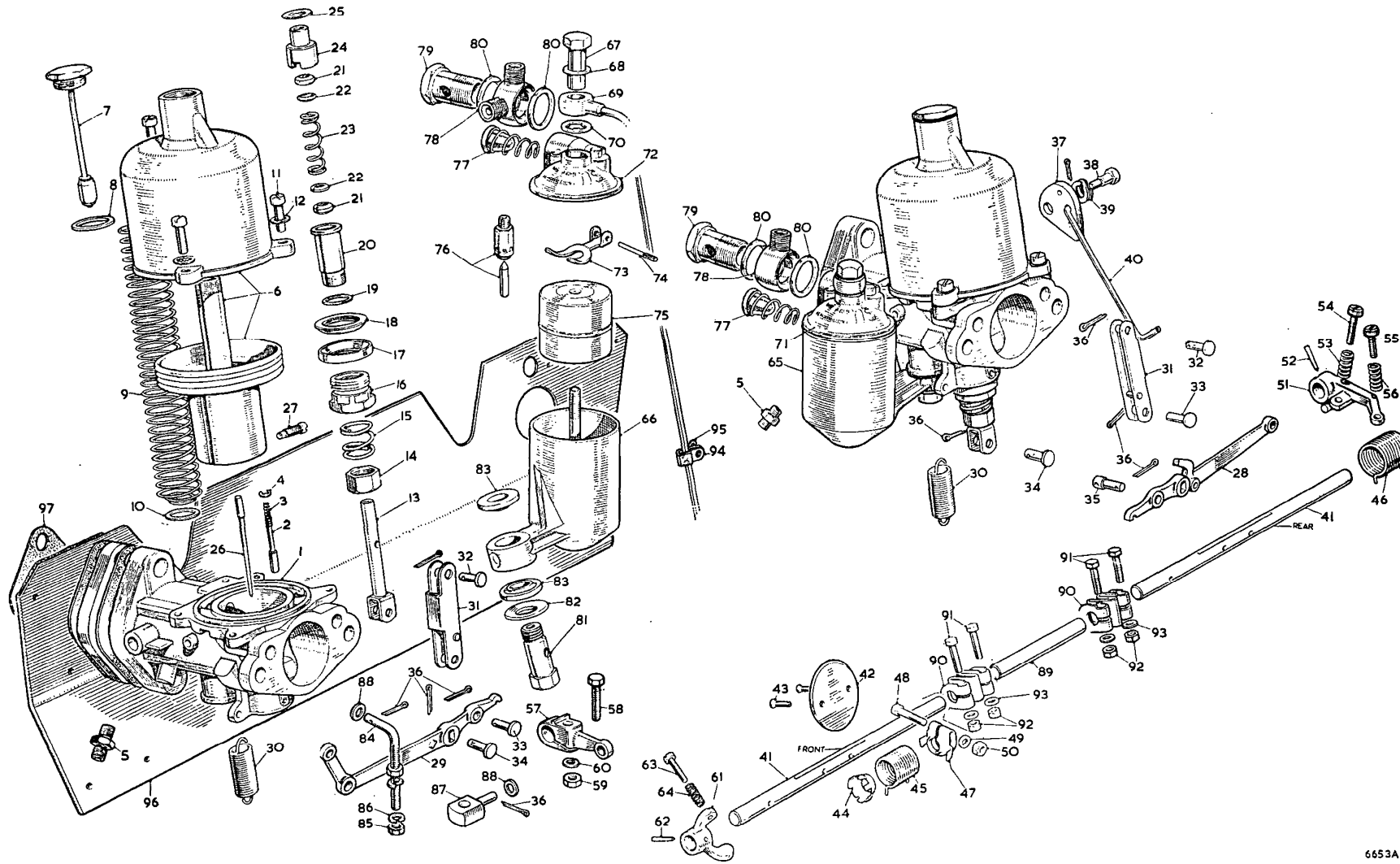
SERVICE PARTS LIST

THE M.G. Series MGA 1500

Item No.	DESCRIPTION	Commencing (E) GB101		Qty. per Vehicle		Unit of Issue	Type of Vehicle	MODIFICATIONS			REMARKS
		Part Number	Illus. No.	RHD	LHD			New Part Number	Change Point	Amdt. No.	
	CARBURETTER										
1	Carburetter complete—front	AUC9020		1	1						
2	Carburetter complete—rear	AUC9021		1	1						
3	Body—front carburetter	AUC6031		1	1						
4	Body—rear carburetter	AUC6033	DB1	1	1						
5	Pin—piston lifting	AUC1149	DB2	1	1						
6	Spring for lifting pin	AUC1151	DB3	1	1						
7	Circlip for pin (Truarc)	AUC1058	DB4	1	1						
8	Union—automatic ignition—rear carburetter	AUC4490	DB5	1	1						
9	Chamber and piston assembly—suction	AUC8019	DB6	1	1						
10	Cap and damper assembly	AUC8102	DB7	1	1						
11	Washer for cap (fibre)	AUC4900	DB8	1	1						
12	Spring for piston (red)	AUC4887	DB9	1	1						
13	Thrust washer for piston spring	AUC3071	DB10	1	1						
14	Screw—chamber to body	AUC2175	DB11	3	3						
15	Washer for screw	AUA4643	DB12	3	3						
16	Jet assembly	AUC8182	DB13	1	1						
17	Nut—adjusting	AUC2121	DB14	1	1						
18	Spring—adjusting	AUC2114	DB15	1	1						
19	Nut—gland sealing	AUC3232	DB16	1	1						
20	Ring (brass)—sealing	AUC2117	DB17	1	1						
21	Ring (neoprene)—sealing	AUC3119	DB18	1	1						
22	Washer—bearing—bottom half	AUC3233	DB19	1	1						
23	Bearing—bottom	AUC3231	DB20	1	1						
24	Washer—gland (cork)	AUC2120	DB21	2	2						
25	Washer—gland (brass)	AUC2119	DB22	2	2						
26	Spring—gland	AUC1158	DB23	1	1						
27	Bearing—top	AUC3230	DB24	1	1						
28	Washer for top bearing (copper)	AUC2122	DB25	1	1						
29	Needle	AJH5292	DB26	1	1						Refer to Workshop Manual for needle sizes
30	Screw for needle (locking)	AUC2468	DB27	1	1						
31	Lever—front carburetter	AUC5091	DB28	1	1						
32	Lever—rear carburetter	AUC5092	DB29	1	1						
33	Spring for lever return	AUC4667	DB30	1	1						
34	Link for lever to body	AUC4819	DB31	1	1						
35	Pin for link to body	AUC2381	DB32	1	1						
36	Pin for link to lever	AUC2381	DB33	1	1						
37	Pin for jet to lever	AUC2381	DB34	1	1						
38	Pin for lever to cam connecting rod—front carburetter	AUC4631	DB35	1	1						
39	Split pin	AUC2109	DB36	11	11						



6653A



6653A

SERVICE PARTS LIST

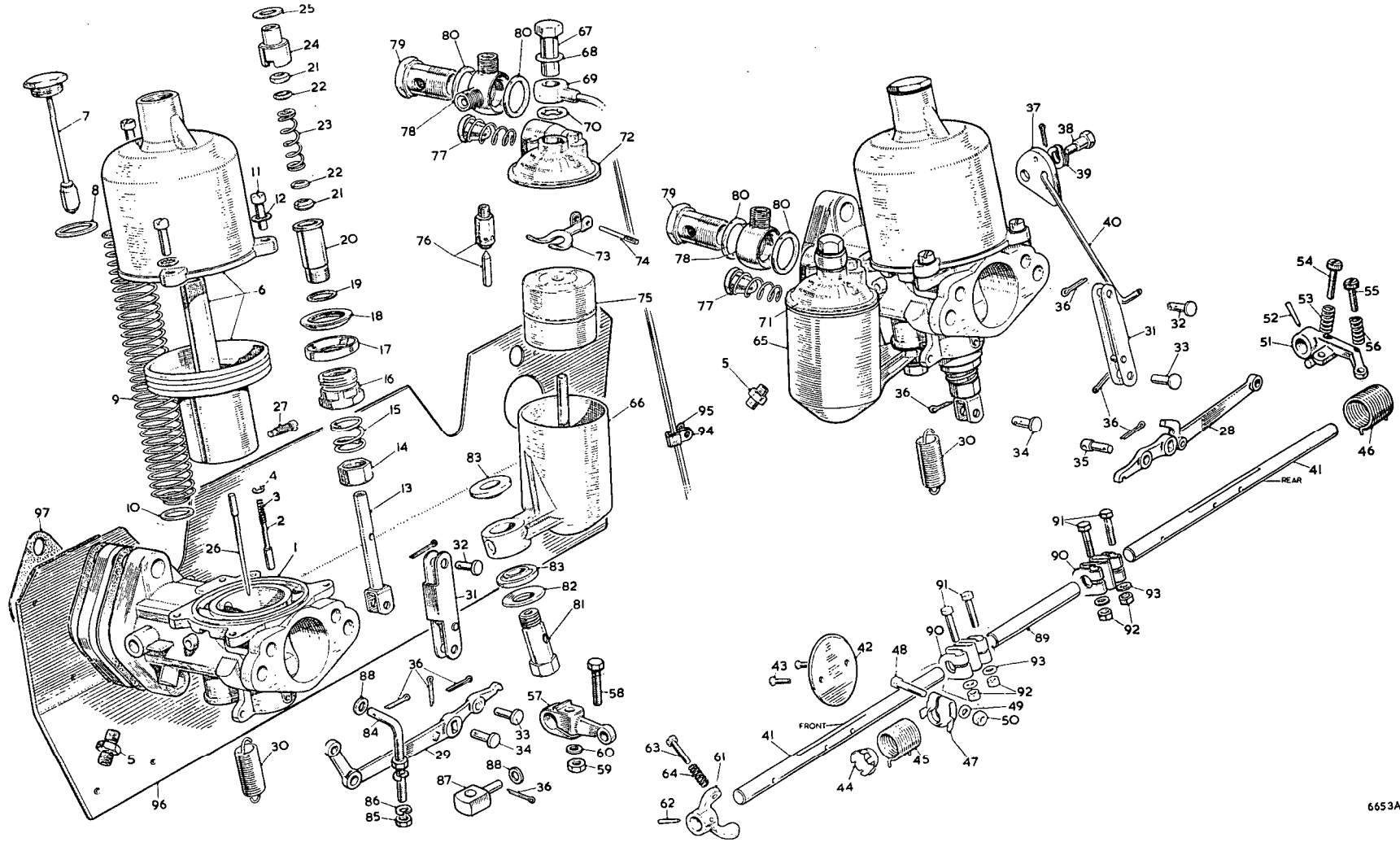
THE M.G. Series MGA 1500

Item No.	DESCRIPTION	Commencing (E) GB101		Qty. per Vehicle		Unit of Issue	Type of Vehicle	MODIFICATIONS			REMARKS
		Part Number	Illus. No.	RHD	LHD			New Part Number	Change Point	Amdt. No.	
	Carburetter—continued										
1	Cam—slow-running—front carburetter	AUC4730	DB37	1	1						
2	Bolt—cam pivot—front carburetter	AUC3471	DB38	1	1						
3	Washer for pivot bolt (spring)	AUC3472	DB39	1	1						
4	Rod—link—jet lever to cam—front carburetter	AUC4732	DB40	1	1						
5	Spindle—throttle—front and rear carburetter	AUC3242	DB41	1	1						
6	Disc	AUC3116	DB42	1	1						
7	Screw for disc	AUC1358	DB43	2	2						
8	Plate—return spring anchor	AUC4770	DB44	1	1						
9	Spring—throttle spindle return—front carburetter	AUC4781	DB45	1	1						
10	Spring—throttle spindle return—rear carburetter	AUC4782	DB46	1	1						
11	End clip—spindle—front and rear carburetters	AUC4771	DB47	1	1						
12	Bolt—end clip	AUC2669	DB48	1	1						
13	Washer for bolt (plain)	AUC4612	DB49	1	1						
14	Nut for bolt	AUC2673	DB50	1	1						
15	Lever—throttle stop—front carburetter	AUC4713	DB51	1	1						
16	Pin—lever to spindle (tapered)	AUC2106	DB52	1	1						
17	Spring for lever stop screw	AUC2451	DB53	1	1						
18	Screw—lever stop—adjusting	AUC2521	DB54	1	1						
19	Screw—slow-running adjusting—front carburetter	AUC3464	DB55	1	1						
20	Spring—adjusting screw—front carburetter	AUC3465	DB56	1	1						
21	Lever—throttle spindle—rear carburetter	AUC1501	DB57	1	1						
22	Bolt for lever	AUC2694	DB58	1	1						
23	Nut for lever bolt	AUC2156	DB59	1	1						
24	Washer for lever bolt (spring)	AUC2246	DB60	1	1						
25	Lever—throttle stop—rear carburetter	AUC2198	DB61	1	1						
26	Pin—lever to spindle (tapered)	AUC2106	DB62	1	1						
27	Screw—lever stop—adjusting	AUC2521	DB63	1	1						
28	Spring for lever stop screw	AUC2451	DB64	1	1						
29	Float-chamber—front	AUC3496	DB65	1	1						
30	Float-chamber—rear	AUC3495	DB66	1	1						
31	Cap nut—lid	AUC1867	DB67	2	2						
32	Washer (aluminium)	AUC1557	DB68	2	2						
33	Pipe assembly—drain—front and rear carburetters	AUC3202	DB69	2	2						
34	Washer (fibre)	AUC1928	DB70	2	2						
35	Lid—float-chamber—front carburetter	AUC4261	DB71	1	1						
36	Lid—float-chamber—rear carburetter	AUC4260	DB72	1	1						
37	Lever—hinged—float	AUC1980	DB73	2	2						
38	Pin for hinged lever—float	AUC1152	DB74	2	2						
39	Float	AUC1123	DB75	2	2						
40	Needle and seat assembly	AUC8170	DB76	2	2						
41	Filter	AUC2139	DB77	2	2						
42	Union—banjo—double—rear	AUC1832	DB78	1	1						
43	Bolt—banjo	AUC2698	DB79	2	2						
44	Washer for banjo bolt (fibre)	AUC2141	DB80	4	4						
45	Bolt—holding-up—float-chamber	AUC1135	DB81	2	2						
46	Washer for holding-up bolt (fibre)	AUC1137	DB82	2	2						
47	Grommet for holding-up bolt (rubber)	AUC1334	DB83	4	4						

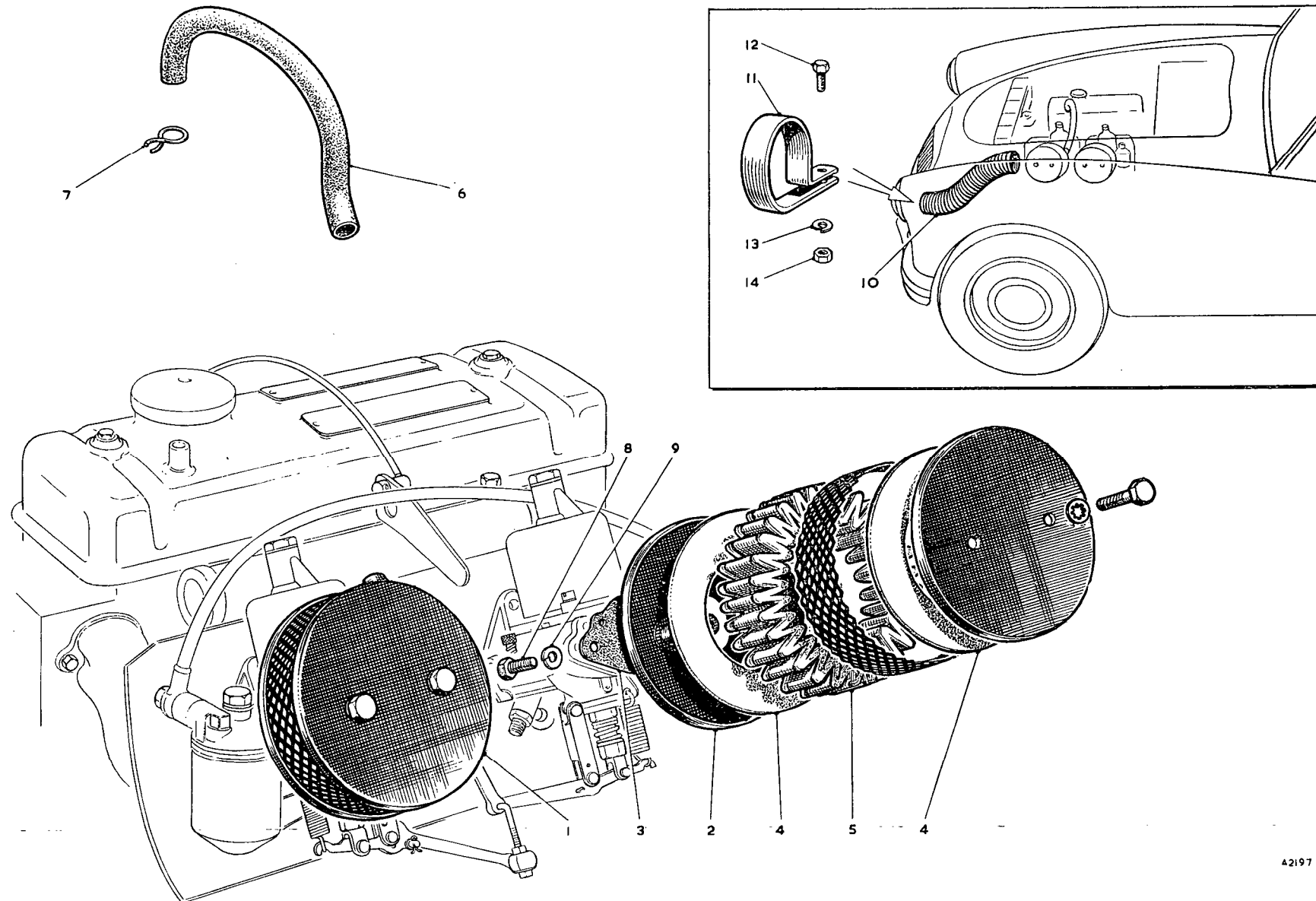
SERVICE PARTS LIST

THE M.G. Series MGA 1500

Item No.	DESCRIPTION	Commencing (E) GB101		Qty. per Vehicle		Unit of Issue	Type of Vehicle	MODIFICATIONS			REMARKS
		Part Number	Illus. No.	RHD	LHD			New Part Number	Change Point	Amdt. No.	
	Carburetter—continued										
1	Rod—jet lever connecting	AUC4915	DB84	1	1						
2	Nut for rod	AUC2156	DB85	2	2						
3	Washer for nut (spring)	AUC1863	DB86	2	2						
4	Trunnion for rod	AUC4916	DB87	1	1						
5	Washer (brass)	AUC1006	DB88	1	1						
6	Rod—throttle spindle connecting	AUC2402	DB89	1	1						
7	Coupling—rod to spindle	AUC4334	DB90	2	2						
8	Bolt for coupling	AUC2669	DB91	4	4						
9	Nut for bolt	AUC2673	DB92	4	4						
10	Washer for bolt	AUC4612	DB93	4	4						
11	Clip for drain pipe	AEH550	DB94	1	1						
12	Washer for clip	PWZ104	DB95	1	1						
13	Shield—heat	AHH5533	DB96	1	1						
14	Joint—heat shield	AEH551	DB97	2	2						



6653A



42197

SERVICE PARTS LIST

THE M.G. Series MGA 1500

Item No.	DESCRIPTION	Commencing (E) GB101		Qty. per Vehicle		Unit of Issue	Type of Vehicle	MODIFICATIONS			REMARKS
		Part Number	Illus. No.	RHD	LHD			New Part Number	Change Point	Amdt. No.	
	AIR CLEANER										
1	Cleaner—front air	AHH5147	DC1	1	1						
2	Cleaner—rear air	AHH5148	DC2	1	1						
3	Joint—air cleaner	ACG5184	DC3	2	2						
4	Insert pad	AHH5441	DC4	4	4						
5	Element	AHH5442	DC5	2	2						
6	Pipe—air filter	AHH5149	DC6	1	1						
7	Clips for air pipe	ACA5290	DC7	2	2						
8	Set screw for cleaner to carburetters	HZS0506	DC8	4	4	24					
9	Washer for cleaner set screws	LWZ205	DC9	4	4	24					
	AIR INTAKE HOSE										
10	Hose—carburetter cooling air intake	AHH5394	DC10	1	1						
11	Clip for air intake hose	AHH5714	DC11	1	1						
12	Screw—hose clip to radiator duct	PMZ0816	DC12	1	1						
13	Washer for screw (spring)	LWZ203	DC13	1	1						
14	Nut for hose clip screw	FNZ103	DC14	1	1						